

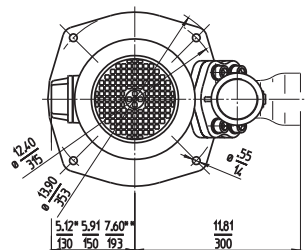
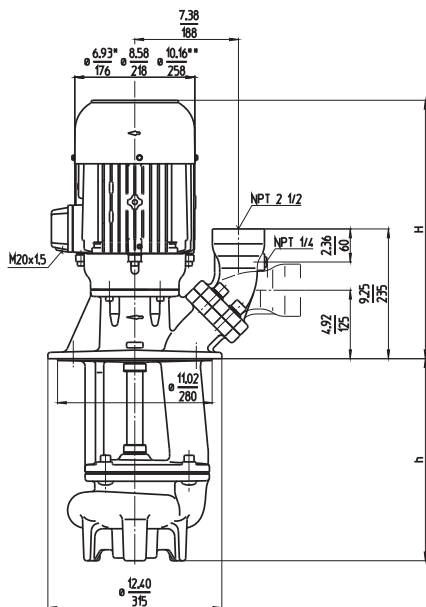
# Vortex Pumps

## SFT450...1100

### Semi-open impellers



#### SFT450, 710 SFT1100



Discharge port with NPT 2 inches available upon request.

Dimensions in Inches / mm

- \*) Dimensions SFT450
- \*\*) Dimensions SFT1100

Type	Flow at head	Height	Depth of im- mersion		Weight		Power HP kW	Voltage 3~ V	Fre- quen- cy Hz	Current AMPS	Speed RPM
	GPM /Feet l/min /m	H inch mm	h inch	h mm	Lbs	kg					
<b>SFT450S300</b>	150/17	18.3	11.81	300	143.3	65	3.9	230	60	10.2	3480
	600/5	464					2.94	460	60	5.1	3480
	430		16.93	430	154.4	70					
	550		21.65	550	163	74					
	800		31.50	800	214	97					
<b>1050</b>		41.34	1050	225	102						
<b>SFT710S300</b>	225/17	19.8	11.81	300	179	81	6.1	230	60	15.8	3520
	900/5	503					4.55	460	60	7.9	3520
	430		16.93	430	185	84					
	550		21.65	550	190	86					
	800		31.50	800	240	109					
<b>1050</b>		41.34	1050	284	129						
<b>SFT1100S300</b>	300/17	22.6	11.81	300	229	104	10	230	60	23.0	3545
	1150/5	574					7.48	460	60	11.5	3545
	430		16.93	430	240	109					
	550		21.65	550	254	115					
	800		31.50	800	304	138					
<b>1050</b>		41.34	1050	326	148						



**Vortex Pumps**

series SFT are designed to lift coolant for filtering. Coarse shreds can be transported together with liquids.

**The pump inlet and pump discharge port have the same dimensions.**

The SFT pumps are equipped with the user-friendly 45 degree flange connection which allows for either vertical or horizontal pipe connection and the connection of a pressure gauge.

**Applications**

- Types of fluid
  - coolants
  - cooling/cutting oils
- Max. chip to coolant ratio by weight: 1.5 %
- Chip material: Aluminium, steel, coloured steels
- Chip geometry:
  - Flow chips up until 3.15 inch (80 mm) long
- Kinematic viscosity
  - ... 140 SSU (...30 mm<sup>2</sup>/s)
  - higher viscosity upon request
- Pumping temperature
  - 30...140 °F (0...60 °C)

**Construction**

Pump body	cast iron
Cover	special cast iron
Impeller	cast steel
Shaft	steel

