

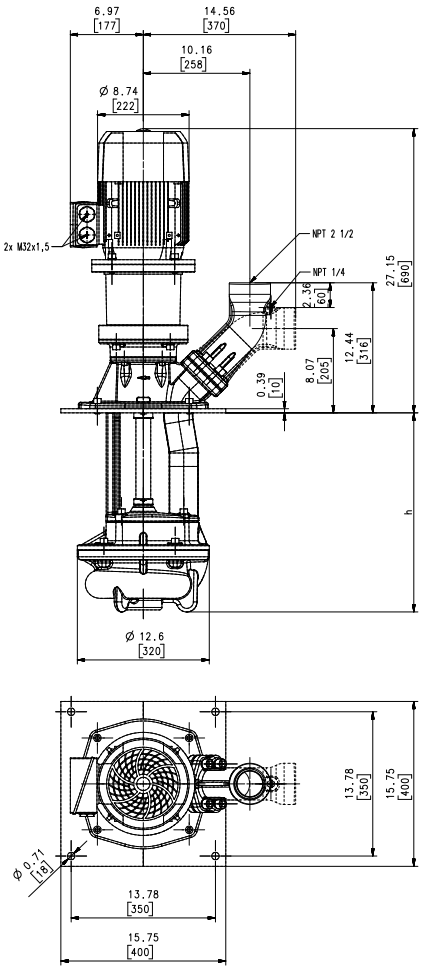
Free Flow-Immersion Pumps

SFT1554

Semi-open impellers



SFT1554



Discharge port with NPT 2 inches available upon request.
Dimensions in Inches / mm

Type	Flow at head	Height	Depth of im- mersion		Weight		Power	Voltage	Fre- quen- cy	Current	Speed
	GPM /Feet l/min /m	H inch mm	h inch	h mm	Lbs	kg	HP kW	V	Hz	AMPS	RPM
SFT1554S360	150/54 600/16	27.2 690	14.29	363	276	125	6.1 4.55	460	60	7.7	1770
490			19.41	493	284	129					



Free Flow-Immersion Pumps

series SFT are provided to lift coolant for filtering. Coarse shreds can be transported together with liquids.

The pump inlet and pump discharge port have the same dimensions.

Cantilever construction. Half speed.

The SFT pumps are equipped with the user-friendly 45 degree flange connection which allows for either vertical or horizontal pipe connection and the connection of a pressure gauge.

Applications

Types of fluid

- coolants
- cooling/cutting oils

Max. chip to coolant ratio by weight: 1.5 %

Chip material:

- Aluminium, steel, coloured steels

Chip geometry:

- Flow chips up until 3.15 inch (80 mm) long

Kinematic viscosity

- ...66 SSU (...12 mm²/s)

Pumping temperature

- 30...140 °F (0...60 °C)

Construction

Pump body	cast iron
Cover	special cast iron
Impeller	cast steel
Shaft	steel

