

# Quick Suctioning Immersion Pumps

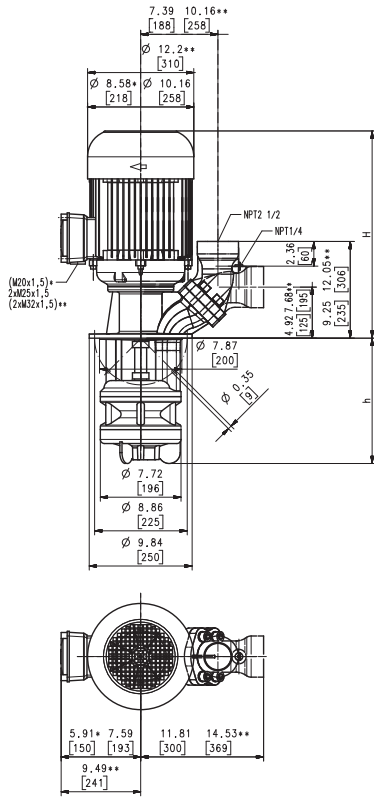


## SAL1001...1006

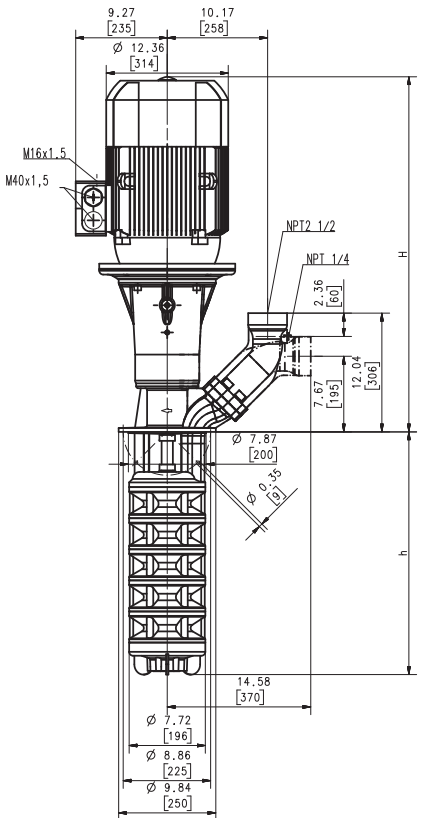


### Axial/semi-open impellers

#### SAL1001...1004



#### SAL1006



Type	Flow at head	Height	Depth of immersion	Weight		Power	Voltage 3~	Frequency	Current Speed	
	GPM /Feet l/min /m	H inch mm	h inch h mm	Lbs kg		HP kW	V	Hz	AMPS	RPM
<b>SAL1001S230</b>	200/38	19.8	9.06 230	141.1	64	5.1	230	60	12.8	3520
	800/10	503				3.8	460	60	6.4	3520
	330		12.99 330	147.7	67					
	460		18.11 460	154.4	70					
	580		22.83 580	163	74					
	780		30.71 780	190	86					
<b>SAL1002S310</b>	200/74	22.6	12.20 310	220	100	9.2	230	60	21.2	3550
	800/21	574				6.9	460	60	10.6	3550
	410		16.14 410	227	103					
	540		21.26 540	236	107					
	660		25.98 660	245	111					
	860		33.86 860	271	123					
<b>SAL1003S390</b>	200/115	24.1	15.35 390	269	122	13.8	230	60	31.6	3550
	800/32	612				10.3	460	60	15.8	3550
	490		19.29 490	276	125					
	620		24.41 620	284	129					
	740		29.13 740	293	133					
	940		37.01 940	322	146					
<b>SAL1004S470</b>	200/160	24.4	18.50 470	340	154	20.1	230	60	48.2	3560
	800/45	620				15.0	460	60	24.1	3560
	570		22.44 570	348	158					
	700		27.56 700	353	160					
	820		32.28 820	362	164					
	1020		40.16 1020	388	176					
<b>SAL1006S630</b>	200/265	38.3	24.80 630	448	203	25	460	60	28	3560
	800/76	974				18.5				
	730		28.74 730	456	207					
	860		33.86 860	465	211					
	980		38.58 980	474	215					

Dimensions in Inches / mm  
 \*) Dimensions SAL1001  
 \*\*) Dimensions SAL1004  
 Discharge port with NPT 2 inches available upon request.



**Quick Suctioning Immersion Pumps**

equipped with the patented "BRINK-MANN's Suction De-aeration System" are excellently suited for pumping **extremely air entrained fluids** (emulsions resp. cooling/cutting oils) as they occur in heavy cutting when turning, milling or grinding. The quick suctioning immersion pumps reach stable working conditions as soon as the liquid level reaches the suction inlet.

The SAL pumps are equipped with the user-friendly 45 degree **flange** connection which allows for either vertical or horizontal pipe connection and the connection of a pressure gauge.



**Applications**

- Types of fluid
  - coolants
  - cooling/cutting oils
- Kinematic viscosity
  - ...200 SSU (...45 mm<sup>2</sup>/s)
- Pumping temperature
  - 30...175 °F (0...80 °C)

**Construction**

Pump body	cast iron
Cover	cast iron
Impeller axial	cast steel
Impeller radial	cast steel
Shaft	steel

