



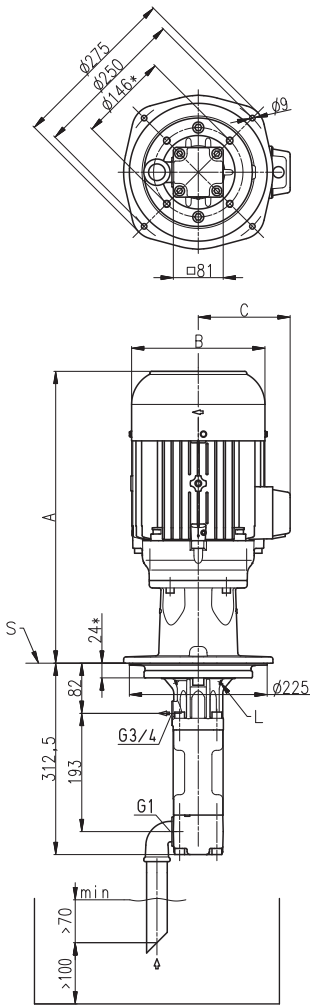
|               |   | 2 極モータ<br>回転数 3500 RPM   |                         |                          |                             |                            |               | 4 極モータ<br>回転数 1750 RPM                  |                          |                         |                          |      |               |
|---------------|---|--------------------------|-------------------------|--------------------------|-----------------------------|----------------------------|---------------|---|--------------------------|-------------------------|--------------------------|------|---------------|
| 最大吐出圧         | 流量<br>(粘度別)                             |                          | 消費電力・軸入力<br>(粘度別)       |                          | モータ<br>浸漬ポンプ<br>用モータの<br>場合 | モータ<br>取付け脚<br>付モータ<br>の場合 | 重量<br><br>IE3 | 流量<br>(粘度別)                             |                          | 消費電力・軸入力<br>(粘度別)       |                          | モータ  | 重量<br><br>IE3 |
|               | 1<br>mm <sup>2</sup> /s                 | 20<br>mm <sup>2</sup> /s | 1<br>mm <sup>2</sup> /s | 20<br>mm <sup>2</sup> /s |                             |                            |               | 1<br>mm <sup>2</sup> /s                 | 20<br>mm <sup>2</sup> /s | 1<br>mm <sup>2</sup> /s | 20<br>mm <sup>2</sup> /s |      |               |
| 型番 / bar      | l/min                                   | l/min                    | kW                      | kW                       | kW                          | kW                         | kg            | l/min                                   | l/min                    | kW                      | kW                       | kW   | kg            |
| <b>BFS232</b> | <b>Q<sub>Th</sub><sup>1)</sup> 31.5</b> |                          | -                       | -                        | -                           | -                          | -             | <b>Q<sub>Th</sub><sup>1)</sup> 15.8</b> |                          | -                       | -                        | -    | -             |
| 10            | 29.7                                    | 30.8                     | 0.8                     | 0.9                      | B 1.49                      | 1.5                        | 40            | 13.9                                    | 15.1                     | 0.4                     | 0.5                      | 0.75 | 33            |
| 20            | 29                                      | 30.6                     | 1.4                     | 1.4                      | B 1.75                      | 2.2                        | 40            | 13.3                                    | 14.8                     | 0.7                     | 0.7                      | 1.5  | 40            |
| 30            | 28.4                                    | 30.3                     | 1.9                     | 2.0                      | B 2.18                      | 2.2                        | 45            | 12.7                                    | 14.6                     | 0.9                     | 1.0                      | 1.5  | 40            |
| 40            | 27.8                                    | 30                       | 2.4                     | 2.5                      | B 2.94                      | 3.7                        | 46            | 12.1                                    | 14.3                     | 1.2                     | 1.3                      | 1.5  | 40            |
| 50            | 27.2                                    | 29.8                     | 2.9                     | 3.1                      | B 3.45                      | 3.7                        | 58            | 11.5                                    | 14                       | 1.4                     | 1.5                      | 2.2  | 49            |
| 60            | 26.6                                    | 29.5                     | 3.5                     | 3.6                      | B 3.8                       | 5.5                        | 58            | 10.9                                    | 13.8                     | 1.7                     | 1.8                      | 2.2  | 49            |
| 70            | 26                                      | 29.3                     | 4.0                     | 4.2                      | B 4.55                      | 5.5                        | 59            | 10.3                                    | 13.5                     | 2.0                     | 2.1                      | 3.7  | 58            |
| 80            | 25.4                                    | 29                       | 4.5                     | 4.7                      | B 5.75                      | 5.5                        | 64            | 9.7                                     | 13.3                     | 2.2                     | 2.3                      | 3.7  | 58            |
| 90            | 24.9                                    | 28.7                     | 5.0                     | 5.3                      | B 5.75                      | 5.5                        | 64            | 9.1                                     | 13                       | 2.5                     | 2.6                      | 3.7  | 58            |
| 100           | 24.3                                    | 28.5                     | 5.6                     | 5.8                      | B 6.3                       | 7.5                        | 64            | 8.5                                     | 12.7                     | 2.7                     | 2.9                      | 3.7  | 58            |
| 110           | 23.8                                    | 28.3                     | 6.1                     | 6.4                      | B 6.9                       | 7.5                        | 87            | -                                       | 12.5                     | -                       | 3.2                      | 3.7  | 58            |
| 120           | 23.2                                    | 28                       | 6.6                     | 6.9                      | B 7.48                      | 7.5                        | 87            | -                                       | 12.3                     | -                       | 3.4                      | 3.7  | 58            |
| 130           | 22.7                                    | 27.8                     | 7.1                     | 7.5                      | B 8.6                       | 11.0                       | 94            | -                                       | 12                       | -                       | 3.7                      | 5.5  | 71            |
| 140           | 22.1                                    | 27.5                     | 7.7                     | 8.0                      | B 8.6                       | 11.0                       | 94            | -                                       | 11.8                     | -                       | 4.0                      | 5.5  | 71            |
| 150           | 21.6                                    | 27.3                     | 8.2                     | 8.6                      | B 10.3                      | 11.0                       | 100           | -                                       | 11.6                     | -                       | 4.2                      | 5.5  | 71            |
| <b>BFS238</b> | <b>Q<sub>Th</sub><sup>1)</sup> 37.4</b> |                          | -                       | -                        | -                           | -                          | -             | <b>Q<sub>Th</sub><sup>1)</sup> 18.7</b> |                          | -                       | -                        | -    | -             |
| 10            | 35.2                                    | 36.5                     | 0.9                     | 0.9                      | B 1.49                      | 1.5                        | 40            | 16.5                                    | 17.8                     | 0.4                     | 0.4                      | 0.75 | 33            |
| 20            | 34.5                                    | 36.2                     | 1.6                     | 1.6                      | B 1.95                      | 2.2                        | 41            | 15.8                                    | 17.5                     | 0.8                     | 0.8                      | 1.5  | 40            |
| 30            | 33.8                                    | 35.9                     | 2.2                     | 2.2                      | B 2.55                      | 3.7                        | 45            | 15.1                                    | 17.2                     | 1.1                     | 1.1                      | 1.5  | 40            |
| 40            | 33.1                                    | 35.6                     | 2.8                     | 2.9                      | B 3.45                      | 3.7                        | 58            | 14.4                                    | 16.9                     | 1.4                     | 1.4                      | 1.5  | 40            |
| 50            | 32.4                                    | 35.3                     | 3.4                     | 3.5                      | B 3.8                       | 5.5                        | 58            | 13.7                                    | 16.6                     | 1.7                     | 1.8                      | 2.2  | 49            |
| 60            | 31.7                                    | 35.1                     | 4.1                     | 4.2                      | B 4.55                      | 5.5                        | 59            | 13                                      | 16.4                     | 2.0                     | 2.1                      | 2.2  | 49            |
| 70            | 31                                      | 34.8                     | 4.7                     | 4.8                      | B 5.75                      | 5.5                        | 64            | 12.3                                    | 16.1                     | 2.3                     | 2.4                      | 3.7  | 58            |
| 80            | 30.3                                    | 34.5                     | 5.3                     | 5.5                      | B 5.75                      | 7.5                        | 64            | 11.6                                    | 15.8                     | 2.6                     | 2.7                      | 3.7  | 58            |
| 90            | 29.6                                    | 34.2                     | 5.9                     | 6.1                      | B 6.3                       | 7.5                        | 64            | 10.9                                    | 15.5                     | 2.9                     | 3.1                      | 3.7  | 58            |
| 100           | 29                                      | 34                       | 6.6                     | 6.8                      | B 8.6                       | 7.5                        | 94            | 10.2                                    | 15.3                     | 3.2                     | 3.4                      | 3.7  | 58            |
| 110           | 28.3                                    | 33.7                     | 7.2                     | 7.4                      | B 8.6                       | 11.0                       | 94            | -                                       | 15                       | -                       | 3.7                      | 5.5  | 71            |
| 120           | 27.6                                    | 33.4                     | 7.8                     | 8.1                      | B 8.6                       | 11.0                       | 94            | -                                       | 14.7                     | -                       | 4.1                      | 5.5  | 71            |
| 130           | 27                                      | 33.1                     | 8.4                     | 8.8                      | B 10.3                      | 11.0                       | 100           | -                                       | 14.4                     | -                       | 4.4                      | 5.5  | 71            |
| 140           | 26.3                                    | 32.9                     | 9.0                     | 9.4                      | B 10.3                      | 11.0                       | 100           | -                                       | 14.2                     | -                       | 4.7                      | 5.5  | 71            |
| 150           | 25.7                                    | 32.6                     | 9.7                     | 10.1                     | B 12.6                      | 11.0                       | 122           | -                                       | 13.9                     | -                       | 5.0                      | 5.5  | 71            |

1) Q<sub>Th</sub> : 理論的流量、1 bar ≒ 100 kPa

上記より高い圧力 (~200 bar) をご要望の場合はご相談ください。  
粘度 > 20 mm<sup>2</sup>/s の場合、消費電力が増加します。

## BFS2, FFS2

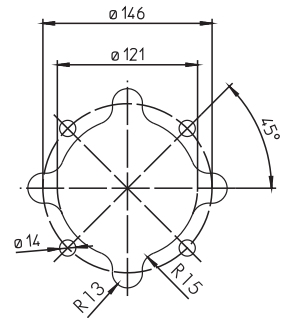
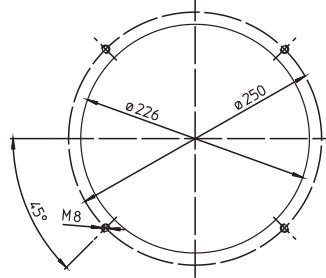
60 Hz



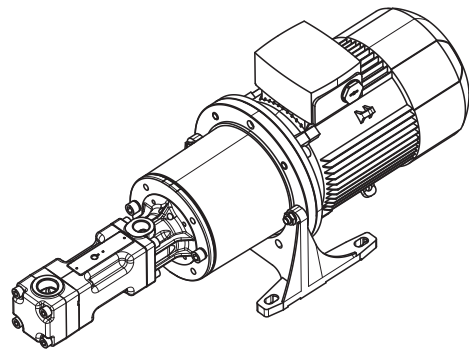
取り付け天板の穴の寸法

BFS1 / BFS2

TFS1 / TFS2



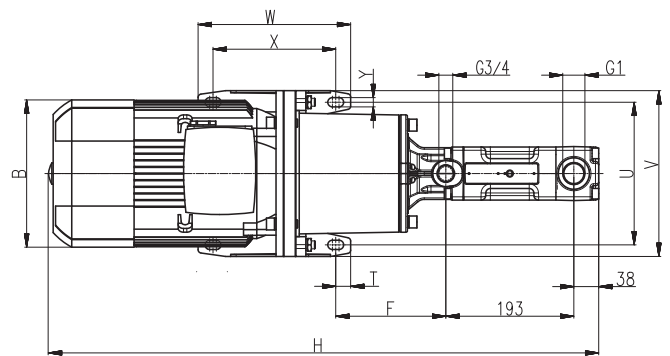
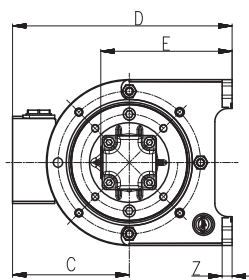
角は ISO2768-m  
に従ってバリ取り  
をして下さい。



\*4極標準モータの寸法はお問い合わせください。

L = 漏れ穴  
S = 取り付け天板。

| モータ<br>2極<br>kW      | A<br>mm | B<br>mm | C<br>mm |
|----------------------|---------|---------|---------|
| B 1.49 / 1.75        | 415     | 176     | 130     |
| B 1.95               | 441     | 176     | 130     |
| B 2.18 / 2.55 / 2.94 | 474     | 176     | 130     |
| B 3.45 / 3.8 / 4.55  | 513     | 218     | 150     |
| B 5.75 / 6.3         | 543     | 218     | 150     |
| B 6.9 / 7.48         | 584     | 258     | 193     |
| B 8.6 / 10.3         | 622     | 258     | 193     |
| B 12.6               | 630     | 310     | 240     |



| モータ<br>2極<br>kW | モータ<br>4極<br>kW | B<br>mm | C<br>mm | D<br>mm | E<br>mm | F<br>mm | H<br>mm | T<br>mm | U<br>mm | V<br>mm | W<br>mm | X<br>mm | Y<br>mm | Z<br>mm |
|-----------------|-----------------|---------|---------|---------|---------|---------|---------|---------|---------|---------|---------|---------|---------|---------|
| -               | 0.75            | 162     | 147     | 259     | 155     | 138     | 701     | 15      | 180     | 210     | 90      | 60      | 11      | 12      |
| 1.5             | -               | 172     | 155     | 267     | 155     | 138     | 734     | 15      | 180     | 210     | 90      | 60      | 11      | 12      |
| -               | 1.5             | 187     | 159     | 271     | 155     | 138     | 744     | 15      | 180     | 210     | 90      | 60      | 11      | 12      |
| 2.2             | -               | 202     | 167     | 279     | 155     | 138     | 756     | 15      | 180     | 210     | 90      | 60      | 11      | 12      |
| -               | 2.2             | 202     | 167     | 322     | 198     | 166     | 782     | 37.5    | 215     | 250     | 260     | 185     | 14      | 15      |
| 3.7             | -               | 202     | 167     | 322     | 198     | 166     | 791     | 37.5    | 215     | 250     | 260     | 185     | 14      | 15      |
| -               | 3.7             | 235     | 187     | 342     | 198     | 166     | 815     | 37.5    | 215     | 250     | 260     | 185     | 14      | 15      |
| 5.5             | -               | 235     | 227     | 412     | 228     | 171     | 884     | 22.5    | 265     | 300     | 270     | 225     | 14      | 18      |
| -               | 5.5             | 272     | 239     | 424     | 228     | 171     | 867     | 22.5    | 265     | 300     | 270     | 225     | 14      | 18      |
| 7.5             | -               | 272     | 244     | 429     | 228     | 171     | 907     | 22.5    | 265     | 300     | 270     | 225     | 14      | 18      |
| 11.0            | -               | 319     | 263     | 498     | 278     | 210     | 1061    | 20      | 300     | 350     | 305     | 265     | 18      | 18      |



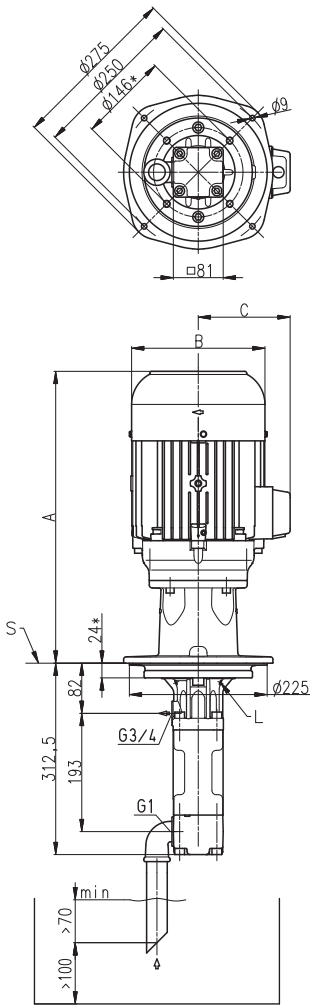
| 最大吐出圧         |   | 2 極モータ<br>回転数 3500 RPM  |                          |                         |                          |                             |                            | 4 極モータ<br>回転数 1750 RPM                  |                         |                          |                         |                          |     |               |
|---------------|---|-------------------------|--------------------------|-------------------------|--------------------------|-----------------------------|----------------------------|---|-------------------------|--------------------------|-------------------------|--------------------------|-----|---------------|
|               |   | 流量<br>(粘度別)             |                          | 消費電力・軸入力<br>(粘度別)       |                          | モータ<br>浸漬ポンプ<br>用モータの<br>場合 | モータ<br>取付け脚<br>付モータ<br>の場合 | 重量<br><br>IE3                           | 流量<br>(粘度別)             |                          | 消費電力・軸入力<br>(粘度別)       |                          | モータ | 重量<br><br>IE3 |
|               |   | 1<br>mm <sup>2</sup> /s | 20<br>mm <sup>2</sup> /s | 1<br>mm <sup>2</sup> /s | 20<br>mm <sup>2</sup> /s |                             |                            |   | 1<br>mm <sup>2</sup> /s | 20<br>mm <sup>2</sup> /s | 1<br>mm <sup>2</sup> /s | 20<br>mm <sup>2</sup> /s |     |               |
| 型番 / bar      | l/min                                   | l/min                   | kW                       | kW                      | kW                       | kW                          | kg                         | l/min                                   | l/min                   | kW                       | kW                      | kW                       | kg  |               |
| <b>BFS250</b> | <b>Q<sub>Th</sub><sup>1)</sup> 49.2</b> |                         | -                        | -                       | -                        | -                           | -                          | <b>Q<sub>Th</sub><sup>1)</sup> 24.6</b> |                         | -                        | -                       | -                        | -   |               |
| 10            | 46.4                                    | 48                      | 1.1                      | 1.2                     | B 1.75                   | 2.2                         | 40                         | 21.8                                    | 23.4                    | 0.5                      | 0.6                     | 0.75                     | 33  |               |
| 20            | 45.4                                    | 47.7                    | 2.0                      | 2.0                     | B 2.55                   | 3.7                         | 45                         | 20.8                                    | 23                      | 1.0                      | 1.0                     | 1.5                      | 40  |               |
| 30            | 44.5                                    | 47.3                    | 2.8                      | 2.9                     | B 3.45                   | 3.7                         | 58                         | 19.9                                    | 22.7                    | 1.4                      | 1.4                     | 2.2                      | 49  |               |
| 40            | 43.6                                    | 46.9                    | 3.6                      | 3.8                     | B 4.55                   | 5.5                         | 59                         | 19                                      | 22.3                    | 1.8                      | 1.9                     | 2.2                      | 49  |               |
| 50            | 42.7                                    | 46.6                    | 4.4                      | 4.6                     | B 5.75                   | 5.5                         | 64                         | 18.1                                    | 21.9                    | 2.2                      | 2.3                     | 3.7                      | 58  |               |
| 60            | 41.9                                    | 46.2                    | 5.2                      | 5.5                     | B 5.75                   | 7.5                         | 64                         | 17.3                                    | 21.6                    | 2.6                      | 2.7                     | 3.7                      | 58  |               |
| 70            | 41.1                                    | 45.8                    | 6.1                      | 6.3                     | B 8.6                    | 7.5                         | 94                         | 16.5                                    | 21.2                    | 3.0                      | 3.2                     | 3.7                      | 58  |               |
| 80            | 40.3                                    | 45.4                    | 6.9                      | 7.2                     | B 8.6                    | 11.0                        | 94                         | 15.7                                    | 20.8                    | 3.4                      | 3.6                     | 5.5                      | 71  |               |
| 90            | 39.6                                    | 45.1                    | 7.7                      | 8.1                     | B 8.6                    | 11.0                        | 94                         | 14.9                                    | 20.4                    | 3.8                      | 4.0                     | 5.5                      | 71  |               |
| 100           | 38.9                                    | 44.7                    | 8.5                      | 8.9                     | B 10.3                   | 11.0                        | 100                        | 14                                      | 20.1                    | 4.2                      | 4.5                     | 5.5                      | 71  |               |
| 110           | 37.6                                    | 44.3                    | 9.3                      | 9.8                     | B 10.3                   | 11.0                        | 100                        | -                                       | 19.7                    | -                        | 4.9                     | 5.5                      | 71  |               |
| 120           | 36.3                                    | 43.9                    | 10.2                     | 10.5                    | B 12.6                   | 11.0                        | 122                        | -                                       | 19.3                    | -                        | 5.3                     | 5.5                      | 71  |               |
| 130           | 35.1                                    | 43.5                    | 11.0                     | 11.5                    | B 12.6                   | 15.0                        | 122                        | -                                       | 18.9                    | -                        | 5.8                     | 7.5                      | 98  |               |
| 140           | 33.8                                    | 43.1                    | 11.8                     | 12.3                    | B 15.0                   | 15.0                        | 122                        | -                                       | 18.5                    | -                        | 6.2                     | 7.5                      | 98  |               |
| 150           | 32.6                                    | 42.7                    | 12.6                     | 13.2                    | B 15.0                   | 15.0                        | 122                        | -                                       | 18.1                    | -                        | 6.6                     | 7.5                      | 98  |               |
| <b>BFS260</b> | <b>Q<sub>Th</sub><sup>1)</sup> 59</b>   |                         | -                        | -                       | -                        | -                           | -                          | <b>Q<sub>Th</sub><sup>1)</sup> 29.5</b> |                         | -                        | -                       | -                        | -   |               |
| 10            | 55.6                                    | 57.6                    | 1.3                      | 1.5                     | B 2.18                   | 2.2                         | 45                         | 26.1                                    | 28                      | 0.6                      | 0.7                     | 1.5                      | 40  |               |
| 20            | 54.4                                    | 57                      | 2.3                      | 2.5                     | B 3.45                   | 3.7                         | 58                         | 24.9                                    | 27.5                    | 1.1                      | 1.3                     | 1.5                      | 40  |               |
| 30            | 53.3                                    | 56.4                    | 3.3                      | 3.6                     | B 4.55                   | 5.5                         | 59                         | 23.8                                    | 26.9                    | 1.6                      | 1.8                     | 2.2                      | 49  |               |
| 40            | 52.1                                    | 55.8                    | 4.3                      | 4.6                     | B 5.75                   | 5.5                         | 64                         | 22.6                                    | 26.3                    | 2.1                      | 2.3                     | 3.7                      | 58  |               |
| 50            | 51                                      | 55.2                    | 5.2                      | 5.7                     | B 6.3                    | 7.5                         | 64                         | 21.5                                    | 25.7                    | 2.6                      | 2.9                     | 3.7                      | 58  |               |
| 60            | 49.8                                    | 54.6                    | 6.2                      | 6.7                     | B 8.6                    | 7.5                         | 94                         | 20.3                                    | 25.1                    | 3.1                      | 3.4                     | 3.7                      | 58  |               |
| 70            | 48.6                                    | 54                      | 7.2                      | 7.8                     | B 8.6                    | 11.0                        | 94                         | 19.1                                    | 24.5                    | 3.6                      | 3.9                     | 5.5                      | 71  |               |
| 80            | 47.5                                    | 53.4                    | 8.2                      | 8.8                     | B 10.3                   | 11.0                        | 100                        | 18                                      | 23.9                    | 4.1                      | 4.4                     | 5.5                      | 71  |               |
| 90            | 46.3                                    | 52.8                    | 9.2                      | 9.9                     | B 12.6                   | 11.0                        | 122                        | 16.8                                    | 23.2                    | 4.6                      | 5.0                     | 5.5                      | 71  |               |
| 100           | 45.1                                    | 52.1                    | 10.2                     | 11.0                    | B 12.6                   | 15.0                        | 122                        | 15.7                                    | 22.6                    | 5.1                      | 5.5                     | 7.5                      | 98  |               |
| 110           | 43.5                                    | 51.5                    | 11.2                     | 12.1                    | B 12.6                   | 15.0                        | 122                        | -                                       | 22                      | -                        | 6.0                     | 7.5                      | 98  |               |
| 120           | 41.9                                    | 50.8                    | 12.1                     | 13.1                    | B 15.0                   | 15.0                        | 122                        | -                                       | 21.3                    | -                        | 6.6                     | 7.5                      | 98  |               |
| 130           | 40.2                                    | 49.6                    | 13.1                     | 14.2                    | B 15.0                   | 15.0                        | 122                        | -                                       | -                       | -                        | -                       | -                        | -   |               |
| 140           | 38.6                                    | 48.3                    | 14.1                     | 15.2                    | -                        | 18.5                        | 181                        | -                                       | -                       | -                        | -                       | -                        | -   |               |
| 150           | 37                                      | 47.1                    | 15.1                     | 16.3                    | -                        | 18.5                        | 181                        | -                                       | -                       | -                        | -                       | -                        | -   |               |

1) Q<sub>Th</sub> : 理論的流量、1 bar ≒ 100 kPa

上記より高い圧力 (~200 bar) をご要望の場合はご相談ください。  
粘度 > 20 mm<sup>2</sup>/s の場合、消費電力が増加します。

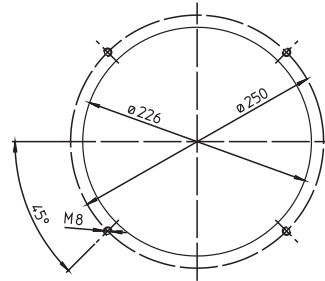
## BFS2, FFS2

60 Hz

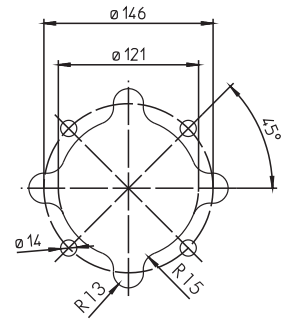


取り付け天板の穴の寸法

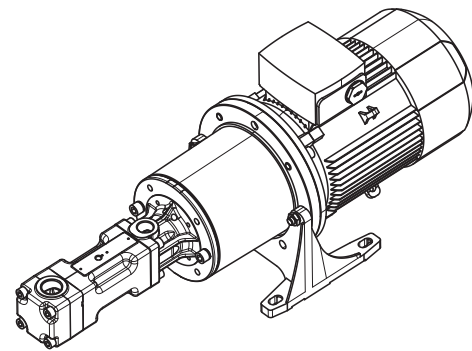
BFS1 / BFS2



TFS1 / TFS2



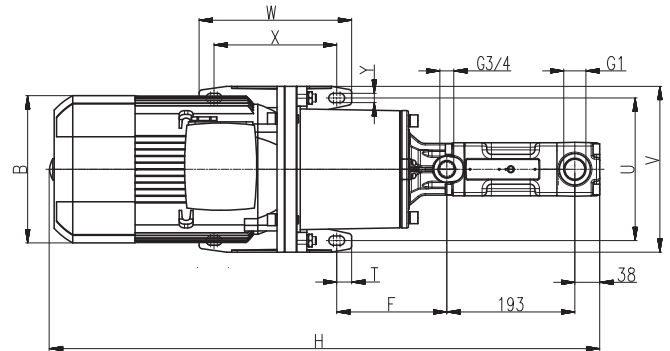
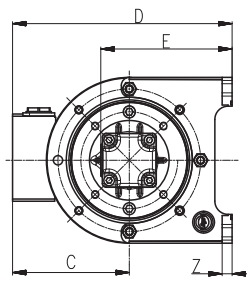
角は ISO2768-m  
に従ってバリ取り  
をして下さい。



\*)4 極標準モータの寸法はお問い合わせください。

L = 漏れ穴  
S = 取り付け天板。

| モータ<br>2極<br>kW  | A<br>mm | B<br>mm | C<br>mm |
|------------------|---------|---------|---------|
| B 1.75           | 415     | 176     | 130     |
| B 2.18 /<br>2.55 | 474     | 176     | 130     |
| B 3.45 /<br>4.55 | 513     | 218     | 150     |
| B 5.75 / 6.3     | 543     | 218     | 150     |
| B 8.6 / 10.3     | 622     | 258     | 193     |
| B 12.6 /<br>15.0 | 630     | 310     | 240     |



| モータ<br>2極<br>kW | モータ<br>4極<br>kW | B<br>mm | C<br>mm | D<br>mm | E<br>mm | F<br>mm | H<br>mm | T<br>mm | U<br>mm | V<br>mm | W<br>mm | X<br>mm | Y<br>mm | Z<br>mm |
|-----------------|-----------------|---------|---------|---------|---------|---------|---------|---------|---------|---------|---------|---------|---------|---------|
| -               | 0.75            | 162     | 147     | 259     | 155     | 138     | 701     | 15      | 180     | 210     | 90      | 60      | 11      | 12      |
| -               | 1.5             | 187     | 159     | 271     | 155     | 138     | 744     | 15      | 180     | 210     | 90      | 60      | 11      | 12      |
| 2.2             | -               | 202     | 167     | 279     | 155     | 138     | 756     | 15      | 180     | 210     | 90      | 60      | 11      | 12      |
| -               | 2.2             | 202     | 167     | 322     | 198     | 166     | 782     | 37.5    | 215     | 250     | 260     | 185     | 14      | 15      |
| 3.7             | -               | 202     | 167     | 322     | 198     | 166     | 791     | 37.5    | 215     | 250     | 260     | 185     | 14      | 15      |
| -               | 3.7             | 235     | 187     | 342     | 198     | 166     | 815     | 37.5    | 215     | 250     | 260     | 185     | 14      | 15      |
| 5.5             | -               | 235     | 227     | 412     | 228     | 171     | 884     | 22.5    | 265     | 300     | 270     | 225     | 14      | 18      |
| -               | 5.5             | 272     | 239     | 424     | 228     | 171     | 867     | 22.5    | 265     | 300     | 270     | 225     | 14      | 18      |
| 7.5             | -               | 272     | 244     | 429     | 228     | 171     | 907     | 22.5    | 265     | 300     | 270     | 225     | 14      | 18      |
| -               | 7.5             | 272     | 239     | 424     | 228     | 171     | 905     | 22.5    | 265     | 300     | 270     | 225     | 14      | 18      |
| 11.0 / 15.0     | -               | 319     | 263     | 498     | 278     | 210     | 1061    | 20      | 300     | 350     | 305     | 265     | 18      | 18      |
| 18.5            | -               | 319     | 263     | 498     | 278     | 210     | 1091    | 20      | 300     | 350     | 305     | 265     | 18      | 18      |