

Suction Immersion Pumps

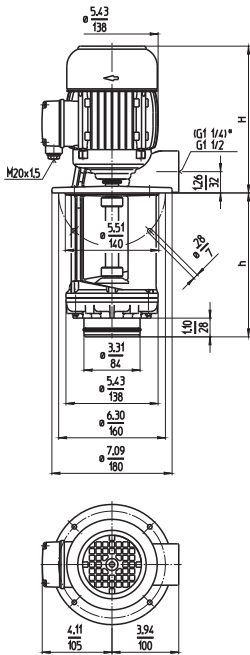
TAS/STS301...2000

Axial/semi-open impellers

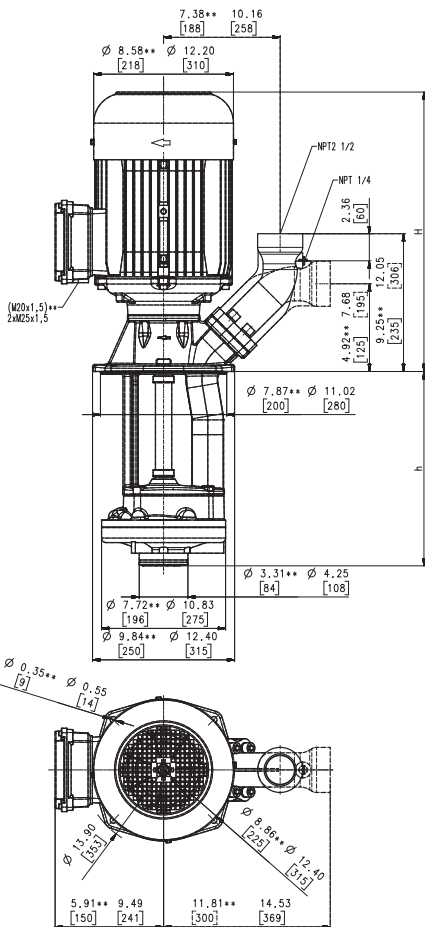


60 Hz

TAS301...601



STS1001, 2000



Type	Flow at head	Height	Depth of im- mersion		Weight		Power HP kW	Voltage 3~ V	Fre- quen- cy Hz	Current Speed	
	GPM /Feet l/min /m	H inch mm	h inch	h mm	Lbs	kg				AMPS	RPM
TAS301S140	50/28	10.4	5.35	136	30.9	14.0	1	208-230	60	3.02	3425
	200/7.5	264					0.725	460	60	1.46	3425
	220		8.50	216	32.0	14.5					
	290		11.26	286	33.1	15.0					
	370		14.41	366	34.2	15.5					
	460		17.95	456	38.6	17.5					
570		22.28	566	41.9	19.0						
TAS601S150	100/18	11.5	5.67	144	38.6	17.5	1.7	230	60	4.8	3440
	400/4	291					1.27	460	60	2.4	3440
	230		8.82	224	39.7	18.0					
	300		11.57	294	41.9	19.0					
	380		14.72	374	44.1	20.0					
	470		18.27	464	47.4	21.5					
580		22.60	574	49.6	22.5						
STS1001S230	175/45	19.8	8.50	216	143.3	65	5.1	230	60	12.8	3520
	600/14	503					3.8	460	60	6.4	3520
	330		12.44	316	147.7	67					
	460		17.56	446	154.4	70					
	580		22.28	566	163	74					
	780		30.16	766	190	86					
1010		16.9	39.21	996	203	92					
STS2000S310	400/75	24.4	11.81	300	348	158	16.9	230	60	39.2	3560
	1600/21	620					12.6	460	60	19.6	3560
	440		16.93	430	353	160					
	560		21.65	550	368	167					
	810		31.50	800	406	184					
	1060		41.34	1050	419	190					

Dimensions in Inches / mm
 *) Dimensions TAS301
 Discharge port with NPT 2 inches available upon request.
 **) Dimensions STS1001



Suction Immersion Pumps

series TAS/STS make it possible to connect to vacuum filters through their simple connection on the suction side (for instance, with a slot screen).

Suction immersion pumps without seals are positioned in the area of unfiltered coolant in the vessel.

With their robust design, they allow operating pressures of -5 PSI to -7 PSI (-0.3 bar to -0.5 bar) on the suction side.

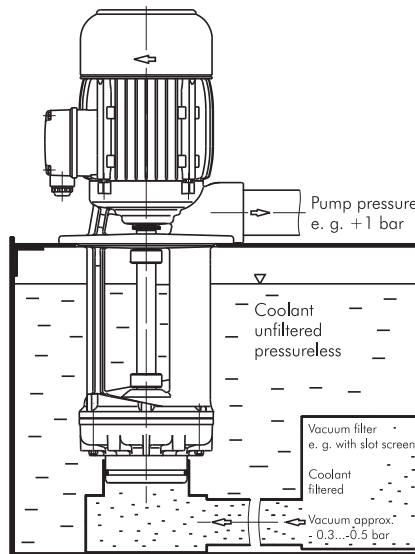
The STS pumps are equipped with the user-friendly 45 degree flange connection which allows for either vertical or horizontal pipe connection and the connection of a pressure gauge.



All types specified are also available as multistage, too – see series TA/STA.

Applications

- Types of fluid
 - coolants
 - cooling/cutting oils
- Kinematic viscosity
 - ...200 SSU (...45 mm²/s)
- Pumping temperature
 - 30...140 °F (0...60 °C)



Construction

Pump body	cast iron
Cover	cast iron
Impeller axial	cast steel
Impeller radial	brass
	cast steel
	(STS1001...STS2000)
Shaft	steel
Optional:	
Impeller radial	cast steel
	(TAS301...TAS601)
Noise level (Motor only; Tolerance +3 dBA)	
TAS301...TAS601	62 dBA
STS1001	73 dBA
STS2000	79 dBA

Suction connection

Intake cover with O-Ring	cast iron
2.9 x 0.16 Inch (78 x 4 mm)	Viton®
STA/STS301...1001	
4.02 x 0.16 Inch (102 x 4 mm)	
STS2000	
for Connecting pipe, inside	
Ø 3.39...3.42 Inch (86.0...86.8 mm)	
STA/STS301...1001	
-Ø 4.33...4.36 Inch (110.0...110.8 mm)	
STS2000	

