

Suction Immersion Pumps

series TAS/STS make it possible to connect to vacuum filters through their simple connection on the suction side (for instance, with a slot screen).

Suction immersion pumps without seals are positioned in the area of unfiltered coolant in the tank.

With their robust design, they allow operating pressures of - 0.3 bar to - 0.5 bar on the suction side.

The STS serie offers a flange with pressure gauge connection port.

The flange can be rotated for either horizontal or vertical pipe connections.



All types specified are also available as multistage pumps e.g. STS304/610.

See series TA/STA.

Applications

Types of fluid
coolants
cooling/cutting oils

Kinematic viscosity
...45 mm²/s (45 cSt)

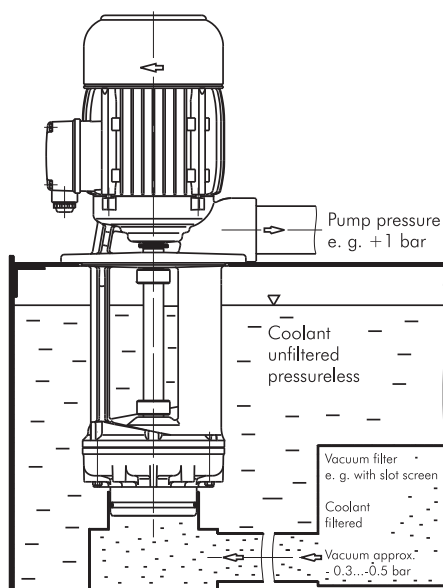
Pumping temperature
0...60° C

Construction

Pump body	cast iron
Cover	cast iron
Impeller axial	cast steel
Impeller radial	brass
	cast steel (STS1001)
Shaft	steel
Optional:	
Impeller radial	cast steel (TAS301...TAS601)

Noise level

TAS301	60 dBA
TAS601	62 dBA
STS1001	71 dBA



Suction connection

Intake cover cast iron
with O-Ring 78 x 4 mm Viton

for
Connecting pipe
86.0...86.8 mm inner-Ø

