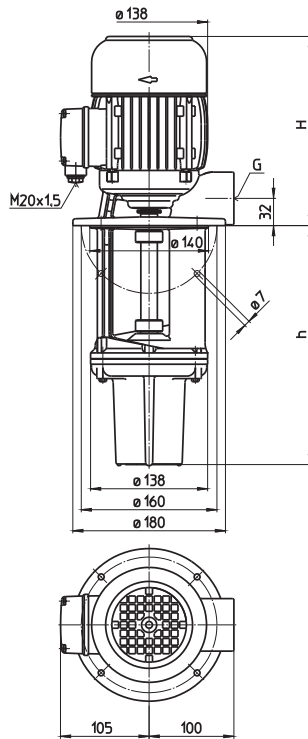


# Lifting Pumps TAA140...280

## Axial impellers

### TAA140, 280



| Type              | Vol. del.<br>at manom.<br>del. head<br>l/min / m | Height<br>H mm | Depth<br>of im-<br>mersion<br>h mm | Pipe<br>con-<br>nection | Weight<br>kg | Power<br>kW | Voltage<br>3 ~<br>V | Fre-<br>quen-<br>cy<br>Hz | Current<br>A | Speed<br>1/min |
|-------------------|--|----------------|------------------------------------|-------------------------|--------------|-------------|---------------------|---------------------------|--------------|----------------|
| <b>TAA140/200</b> | 180/2  | 223            | 200                                | G 1 ¼                   | 15.5         | 0.48        | 220-240             | 50                        | 2.06         | 2820           |
| <b>280</b>        |  |                | 280                                |                         | 16.5         |             | 380-415             | 50                        | 1.19         | 2820           |
| <b>350</b>        |  |                | 350                                |                         | 17.5         |             |                     |                           |              |                |
|                   |  |                |                                    |                         |              | 0.55        | 460                 | 60                        | 1.14         | 3405           |
| <b>TAA280/200</b> | 360/2  | 264            | 200                                | G 1 ½                   | 17           | 0.92        | 220-240             | 50                        | 3.8          | 2840           |
| <b>280</b>        |  |                | 280                                |                         | 18           |             | 380-415             | 50                        | 2.2          | 2840           |
| <b>350</b>        |  |                | 350                                |                         | 19           |             |                     |                           |              |                |
|                   |  |                |                                    |                         |              | 1.06        | 460                 | 60                        | 2.1          | 3440           |

### Lifting Pumps

series TAA gently pump foam-sensitive cooling lubricants (emulsions or cooling and cutting oils) or highly inflated cooling lubricants such as occur with a high degree of machining in lathing, milling or grinding.

### Applications

Types of fluid  
 coolants  
 cooling/cutting oils  
 Kinematic viscosity  
 ...45 mm<sup>2</sup>/s (45 cSt)  
 Pumping temperature  
 0...60° C

### Construction

|                 |           |
|-----------------|-----------|
| Pump body       | cast iron |
| Cover           | cast iron |
| Impellers       | cast iron |
| Shaft           | steel     |
|                 |           |
| Noise level     |           |
| TAA140...TAA280 | 62 dBA    |

