

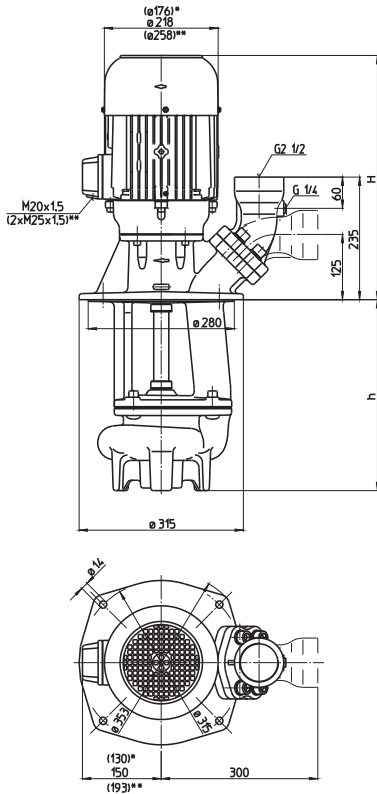
# Free Flow-Immersion Pumps



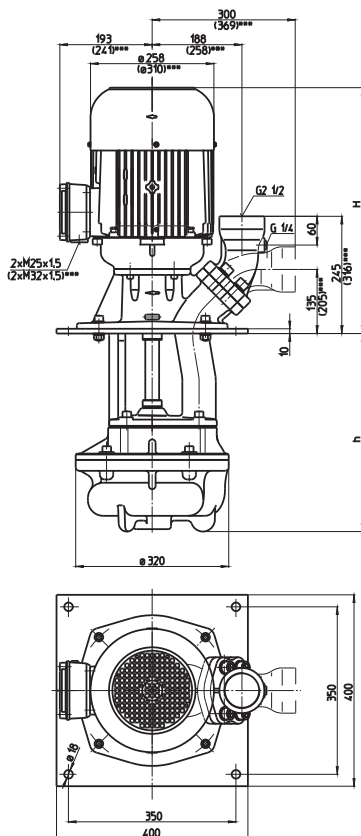
## SFT450...1400

### Semi-open impellers

#### SFT450...1100



#### SFT1300...1400



- \*) Dimensions for SFT450
- \*\*\*) Dimensions for SFT1100
- \*\*\*\*) Dimensions for SFT1400

Type	Vol. del. at manom. del. head l/min / m	Height H mm	Depth of im- mersion h mm	Weight kg	Power kW	Voltage 3 ~ V	Fre- quen- cy Hz	Current A	Speed 1/min
SFT450/300	600/5	464	300	65	2.6	220-240	50	9.30	2880
	430		430	70					
	550		550	74	2.94	460	60	5.1	3480
	800		800	97					
	1050		1050	102					
SFT710/300	800/5	503	300	81	4.0	220-240	50	14.50	2920
	430		430	84					
	550		550	86	4.55	460	60	7.9	3520
	800		800	109					
	1050		1050	129					
SFT1100/300	1100/5	574	300	104	6.5	380-415	50	12	2945
	430		430	109					
	550		550	115	7.48	460	60	11.5	3545
	800		800	138					
	1050		1050	148					
SFT1300/360	800/11	574	363	155	6.5	380-415	50	12	2945
	490		493	160					
	610		613	164	7.48	460	60	11.5	3545
SFT1350/360	800/15	612	363	166	9.0	380-415	50	16.7	2955
	490		493	171					
	610		613	175	10.3	460	60	15.8	3550
SFT1400/360	800/19	620	363	190	11.0	380-415	50	20.1	2960
	490		493	195					
	610		613	199	12.6	460	60	19.5	3560



### Free Flow-Immersion Pumps

series SFT are designed to lift coolant for filtering. Coarse shreds can be transported together with liquids.

The SFT serie offers a flange with pressure gauge connection port.

The flange can be rotated for either horizontal or vertical pipe connections.

### Applications

Types of fluid  
coolants

Max. chip to coolant ratio by weight:  
1.5 %

Chip material:

Aluminium, steel, coloured steels

Chip geometry:

Flow chips up until 80 mm long

Kinematic viscosity

...30 mm<sup>2</sup>/s (30 cSt)

higher viscosity upon request

Pumping temperature

0...60° C

### Construction

Pump body

cast iron

Cover

special cast iron

Impeller

cast steel

Shaft

steel

