

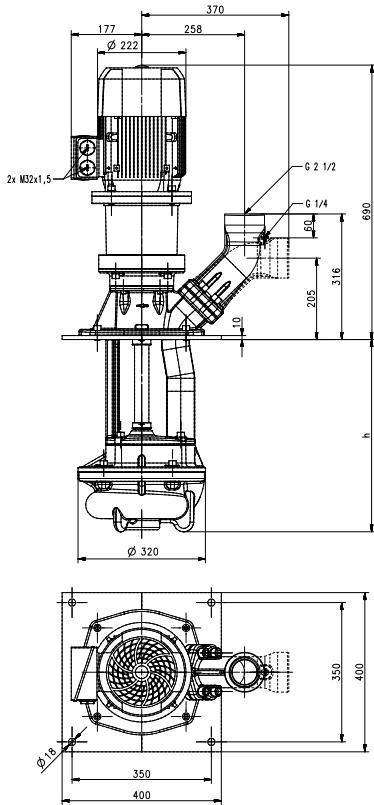
Free Flow-Immersion Pumps



SFT1554...3554

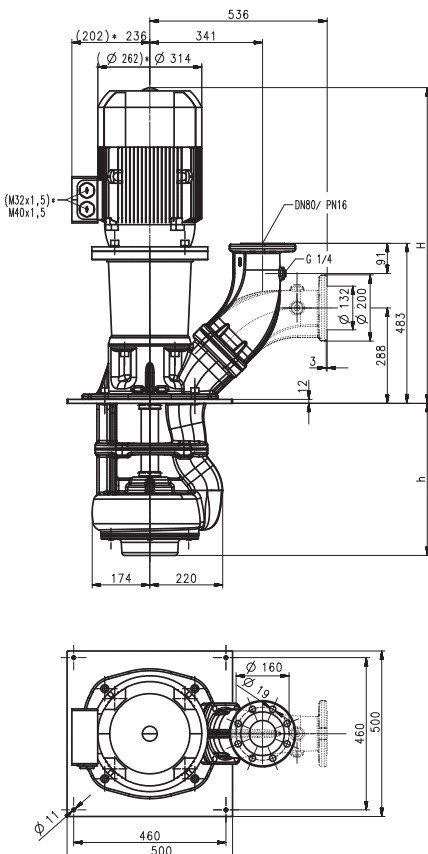
Semi-open impellers

SFT1554



Type	Vol. del. at manom. del. head l/min / m	Height H mm	Depth of immersion h mm	Weight kg	Power (4-pole) kW	Voltage 3~ V	Frequency Hz	Current A	Speed 1/min
SFT1554/360	600/10	690	363	125	4.0	400	50	7.9	1460
	490		493	129					
SFT2254/460	1100/12	851	460	218	7.5	400	50	14.3	1465
	660		660	228					
	860		860	238					
	1210		1210	293					
SFT3054/460	1600/12	964	460	236	11.0	400	50	20.5	1475
	660		660	246					
	860		860	256					
	1210		1210	311					
SFT3554/460	2100/12	1004	460	267	15.0	400	50	28.5	1475
	660		660	277					
	860		860	287					
	1210		1210	342					
1610	1610	362							

SFT2254...3554



*) Dimensions for SFT2254

Free Flow-Immersion Pumps

series SFT are designed to lift coolant for filtering. Coarse shreds can be transported together with liquids.

Half speed.

The SFT serie offers a flange with pressure gauge connection port.

The flange can be rotated for either horizontal or vertical pipe connections.

Applications

Types of fluid
coolants

Max. chip to coolant ratio by weight:
1.5 %

Chip material:

Aluminium, steel, coloured steels

Chip geometry:

Flow chips up until 80 mm long
The max. ball diameter is 45 mm

Kinematic viscosity

...12 mm²/s (12 cSt)

Pumping temperature

0...60° C

Construction

Pump body	cast iron
Cover	cast iron
Impeller	cast steel
Shaft	steel
Optional: Impeller	CrMo-steel

