

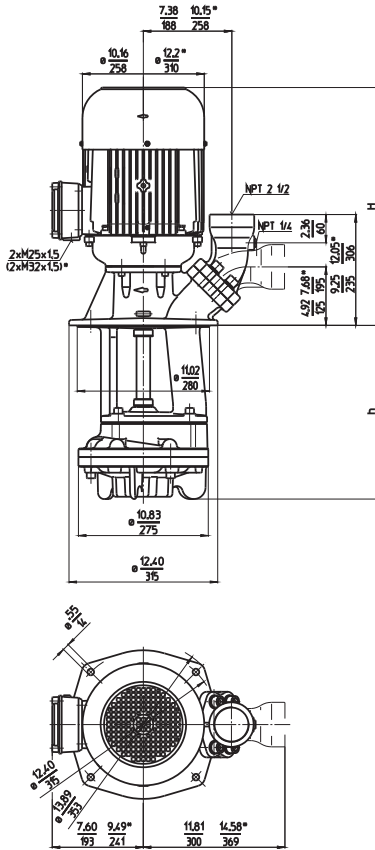
Quick Suctioning Immersion Pumps

SAL1600...2500

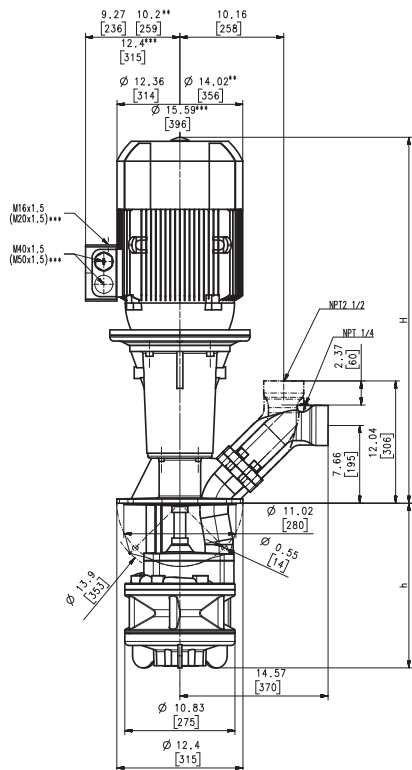
Axial/semi-open impellers



SAL1600...2000



SAL1602...2500



Type	Flow at head	Height	Depth of immersion		Weight		Power	Voltage	Frequency	Current Speed	
	GPM / Feet l/min / m	H inch mm	h inch	h mm	Lbs	kg	HP kW	V	Hz	AMPS	RPM
SAL1600S310	350/55	24.1	12.20	310	295	134	13.8	230	60	31.6	3550
	1300/17	612					10.3	460	60	15.8	3550
	440		17.32	440	300	136					
	560		22.05	560	315	143					
	810		31.89	810	353	160					
1060		41.73	1060	375	170						
SAL2000S310	400/75	24.4	12.20	310	348	158	16.9	230	60	39.2	3560
	1600/21	620					12.6	460	60	19.6	3560
	440		17.32	440	353	160					
	560		22.05	560	368	167					
	810		31.89	810	406	184					
1060		41.73	1060	419	190						
SAL1602S420	350/118	38.3	16.54	420	507	230	25	460	60	28	3560
	1300/36	974					18.5				
	550		21.65	550	520	236					
	670		26.38	670	529	240					
	920		36.22	920	545	247					
1170		46.06	1170	553	251						
SAL2002S420	400/158	40.6	16.54	420	551	250	40	460	60	47	3560
	1600/45	1032					30.0				
	550		21.65	550	564	256					
	670		26.38	670	573	260					
	920		36.22	920	589	267					
1170		46.06	1170	598	271						
SAL2500S340	500/105	39.7	13.39	340	443	201	30	460	60	34	3560
	2000/30	1009					22.0				
	470		18.50	470	454	206					
	590		23.23	590	465	211					
	840		33.07	840	503	228					
1090		42.91	1090	509	231						

Dimensions in Inches / mm
Discharge port with NPT 2 inches available upon request.

*) Dimensions SAL2000
**) Dimensions SAL2500
***) Dimensions SAL2002

Quick Suctioning Immersion Pumps

equipped with the patented "BRINK-MANN's Suction De-aeration System" are excellently suited for pumping **extremely air entrained fluids** (emulsions resp. cooling/cutting oils) as they occur in heavy cutting when turning, milling or grinding. The quick suctioning immersion pumps reach stable working conditions as soon as the liquid level reaches the suction inlet.

The SAL pumps are equipped with the user-friendly 45 degree **flange** connection which allows for either vertical or horizontal pipe connection and the connection of a pressure gauge.

Applications

- Types of fluid
 - coolants
 - cooling/cutting oils
- Kinematic viscosity
 - ...200 SSU (...45 mm²/s)
- Pumping temperature
 - 30...175 °F (0...80 °C)

Construction

- | | |
|-----------------|------------|
| Pump body | cast iron |
| Cover | cast iron |
| Impeller axial | cast steel |
| Impeller radial | cast steel |
| Shaft | steel |

