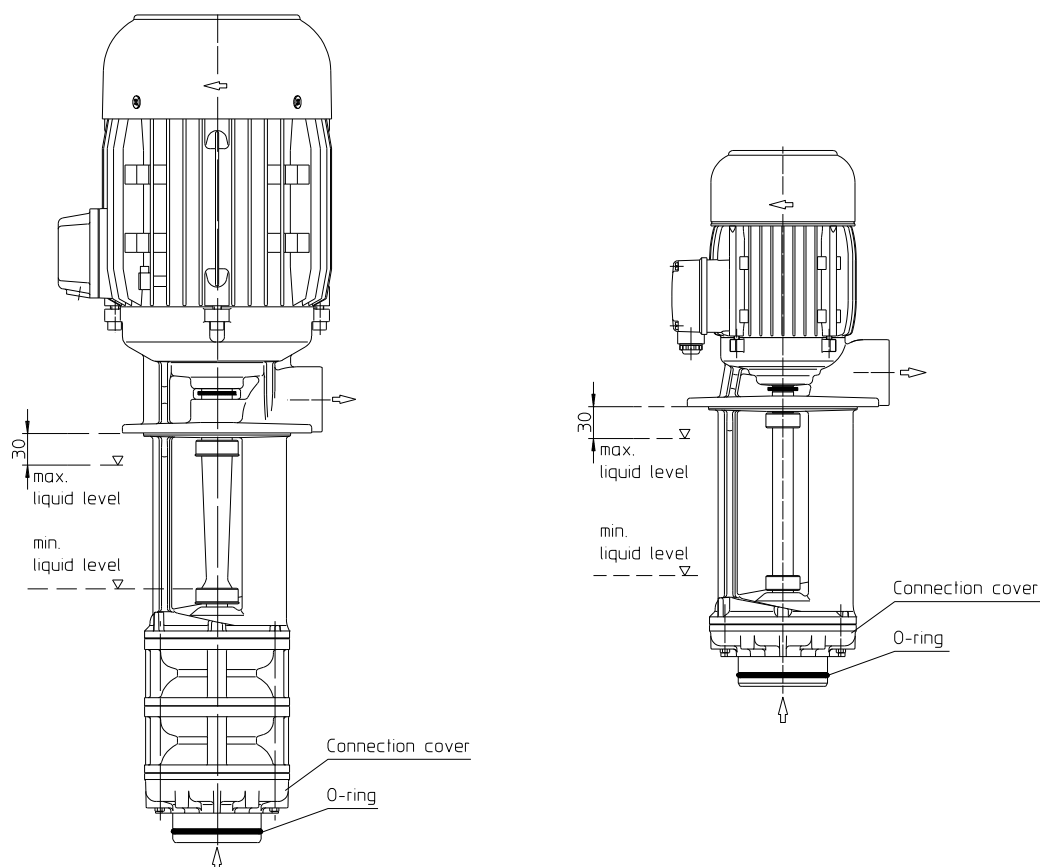


Brinkmann Suction Immersions Pumps series TAS/STS/TES/SES



The TAS/STS/TES/SES series are centrifugal pumps with semi open impellers and one axial impeller. The design is identical with the TAL/SAL/TL/STL series, except the intake cover of the TAL/SAL/TL/STL series is replaced by a connecting cover with an O-ring in the TAS/STS/TES/SES version, as shown on the drawing above.

The TAS/STS/TES/SES series allows suction against a negative pressure of up to 0.5 bar (7.25 PSI).

The characteristic pump curves of the TAS/STS/TES/SES pumps are corresponding with those of the TAL/SAL/TL/STL series, reduced by the amount of negative pressure existing on the intake side.

The minimum liquid level must be reached at any time during the operation of the pump. Therefore, coolant must continuously be supplied at all times!

For further information please read the operating instructions BE2210, BE2510, BE2610 or BE2710.