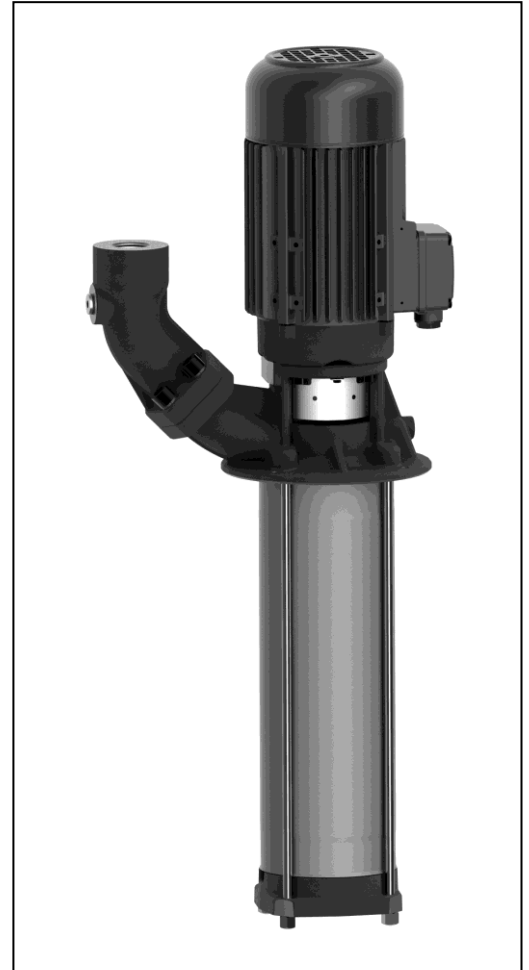


Operating Instructions

BRINKMANN Immersion Pumps

TH/STH2...TH/STH6



BRINKMANN PUMPS, Inc.

47060 Cartier Drive
Wixom, MI 48393
USA

Phone: +1 248 926 9400
Fax.: +1 248 926 9405

Subject to change without prior notice.

www.brinkmannpumps.com
sales@brinkmannpumps.com

Order - No.: BA6420 ENGLISH

Brinkmann Immersions Pumps of the Series TH/STH2 ... TH/STH6

Contents

1	Indication to the manual	2	8	Servicing and Maintenance	9
2	Description of the Product	2-5	9	Troubleshooting Guide	9
3	Safety instructions	6	10	Spare Parts.....	10-11
4	Transportation and Storage.....	6	11	Repair.....	11-12
5	Installation and Connection	7-8	12	Disposal.....	12
6	Start-up / Shut-down	8	13	Terms and Conditions	13-14
7	Operation.....	8			

1 Indication to the manual

This operating manual gives basic instructions which are to be observed during installation, operation and maintenance of the pump. It is therefore imperative that this manual be read by the responsible personnel and operator prior to assembly and commissioning. It is always to be kept available at the installation site.

1.1 Identification of safety instructions in the operating manual

Safety instructions given in this manual non-compliance with which would affect **safety** are identified by the following symbol



Safety sign according with ISO 3864 – B.3.1

or where **electrical safety** is involved, with:



Safety sign according with ISO 3864 – B.3.6

Where non-compliance with the safety instructions may cause a risk to the machine and it's function the word

ATTENTION

is inserted.

2 Description of the Product

2.1 General description of the pump

Pumps of this type are multi-stage rotary pumps. Series TH/STH use closed impellers in order to minimizing power consumption and to optimize hydraulic pump efficiencies. In addition, the TH/STH series offers high pressures at short immersion depths.

The pump shaft and the motor shaft are connected by a coupling. The pump shaft is sealed by a rotating mechanical seal. The pump is protected again impurity by a filter. Pump and motor form a compact and space-saving unit.

Vertically mounted pumps are equipped with a mounting flange. The pump end immerses into the tank and the motor extends vertically above the tank.

2.2 Intended use

The immersion pumps of the series TH/STH have been especially developed to supply internally cooled tools with coolant fluid within the limiting application in accordance with table 1.

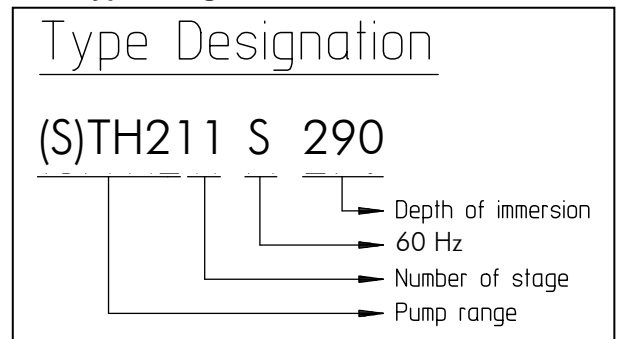
Limit of Application (Table 1)

Type	TH/STH2...6
Mediums	Industry water, coolant, cooling- and cutting-oils
Kinetic viscosity of the medium	4.6 SSU (1 mm ² /s) higher viscosity upon request
Temperature of medium	30 ... 175 °F (0 ... 80 °C)
Particle-size in the medium	0.04 Inches (1 mm)
max. operation pressure	390 PSI (27 bar)
min. delivery volume GPM / l/min	(S)TH2 1.85 / 7 (S)TH4 3.2 / 12 (S)TH6 6.6 / 25 at special execution -Q 1% of Q max.
Dry running	The pumps are not suitable for dry running.
Motor cycle time per hour	Motors less 4.0 HP max. 200 from 4.0 HP to 5.4 HP max. 40 from 6.7 HP to 14 HP max. 20
Ambient temperature	104 °F (40 °C)
Set-up altitude	3280 ft (1000 m)

ATTENTION

The pumps are to be operated within their design limits. Applications outside of these limits are not approved. The manufacturer is not responsible for any damages resulting from use of the pumps in such applications.

2.3 Type Designation



2.4 Technical data

Type	Max. del. pressure spec. weight 1		Max. del. volume		Height		Depth of immersion		Weight		Power		Noise level ²⁾ 60 Hz dBA
	PSI	bar	GPM	l/min	H Inches	mm	h Inches	mm	TH ¹⁾ lbs	kg	60 Hz HP	kW	
(S)TH203S190	38	2.4	10.5	40	11.5	291	7.48	190	32.9	14.9	0.75	0.55	61
(S)TH204S190	50	3.4							33.1	15.0			
(S)TH205S190	62	4.1	11.2	42					33.3	15.1			
(S)TH206S190	77	5.1							33.5	15.2			
(S)TH207S290	88	6.0	11.2	42	13.1	332	11.42	290	41.0	18.6	1	0.725	61
(S)TH208S290	100	7.0							41.2	18.7			
(S)TH209S290	110	7.8	11.5	45	13.1	332	11.42	290	42.3	19.2	1.15	0.86	61
(S)TH210S290	125	8.8	11.5	45	13.1	332	11.42	290	44.3	20.1	1.3	0.98	61
(S)TH211S290	138	9.6	12	48	13.1	332	11.42	290	44.8	20.3	1.4	1.06	61
(S)TH212S390	152	10.2					15.35	390	45.0	20.4			
(S)TH213S390	162	11.2							45.2	20.5			
(S)TH214S390	173	12.0	12	48	14.1	359	15.35	390	47.8	21.7	1.7	1.27	61
(S)TH215S390	184	12.8							48.1	21.8			
(S)TH216S390	198	13.8	13	50	15.0	381	15.35	390	61.7	28.0	2.0	1.49	66
(S)TH217S490	210	14.5	13	50	15.0	381	19.29	490	66.6	30.2	2.3	1.75	66
(S)TH218S490	224	15.5							66.8	30.3			
(S)TH219S490	238	16.4							67.0	30.4			
(S)TH220S490	254	17.2	13.5	52	16.0	407	19.29	490	71.7	32.5	2.6	1.95	66
(S)TH221S490	260	18.0							71.9	32.6			
(S)TH222S590	273	19.0	14	55	17.3	439	23.23	590	82.5	37.4	2.9	2.18	66
(S)TH223S590	288	19.9							82.7	37.5			
(S)TH224S590	300	20.8	14	55	17.3	439	23.23	590	84.2	38.2	3.4	2.55	66
(S)TH225S590	315	21.8							84.7	38.4			
(S)TH226S590	328	22.5							84.9	38.5			
(S)TH227S690	340	23.2					27.17	690	86.2	39.1			
(S)TH228S690	352	24.1	14	55	17.3	439	27.17	690	88.6	40.2	3.9	2.94	66
(S)TH229S690	360	25.0							88.9	40.3			
(S)TH230S690	374	26.0							89.1	40.4			
(S)TH231S690	390	26.5							89.3	40.5			

1) Weight STH = Weight TH + 4.4 lbs (2 kg)

2) Noise emissions measured in accordance with
DIN 45635 at a distance of 39.37 Inches (1 m)

The motor is surface-cooled and compliant with
DIN IEC 34 and EN 60034 (protection degree IP 55).

Type	Max. del. pressure spec. weight 1		Max. del. volume		Height		Depth of immersion		Weight		Power		Noise level ²⁾ 60 Hz dBA
	PSI	bar	GPM	l/min	H Inches	mm	h Inches	mm	TH ¹⁾ lbs	kg	60 Hz HP	kW	
(S)TH403S190	46	3.2	23	84	11.5	291	7.48	190	34.0	15.4	0.75	0.55	61
(S)TH404S190	60	4.2	23	84	13.1	332	7.48	190	36.8	16.7	1	0.725	61
(S)TH405S190	78	5.3	23	84	13.1	332	7.48	190	37.9	17.2	1.15	0.86	61
(S)TH406S190	92	6.2	24	88	13.1	332	7.48	190	40.1	18.2	1.4	1.06	61
(S)TH407S290	106	7.6	24	88	14.1	359	11.42	290	42.8	19.4	1.7	1.27	61
(S)TH408S290	120	8.3							43.0	19.5			
(S)TH409S290	137	9.5	25	92	15.0	381	11.42	290	59.5	27.0	2.0	1.49	66
(S)TH410S290	156	10.6	25	92	15.0	381	11.42	290	60.0	27.2	2.3	1.75	66
(S)TH411S290	172	11.8	25.5	95	16.0	407	11.42	290	64.8	29.4	2.6	1.95	
(S)TH412S390	186	12.8					15.35	390	66.2	30.0			
(S)TH413S390	200	13.9	25.5	95	17.3	439	15.35	390	77.2	35.0	2.9	2.18	66
(S)TH414S390	218	15.0	26	100	17.3	439	15.35	390	78.3	35.5	3.4	2.55	66
(S)TH415S390	236	16.0							78.5	35.6			
(S)TH416S390	250	17.1	26	100	17.3	439	15.35	390	79.4	36.0	3.9	2.94	66
(S)TH417S490	264	18.1					19.29	490	79.6	36.1			
(S)TH418S490	280	19.2							79.8	36.2			
(S)TH419S490	297	20.2	27	105	17.0	432	19.29	490	105.6	47.9	5.1	3.8	75
(S)TH420S490	316	21.8							105.8	48.0			
(S)TH421S490	328	22.5							106.1	48.1			
(S)TH422S590	342	23.8					23.23	590	106.5	48.3			
(S)TH423S590	360	24.8	27	105	17.0	432	23.23	590	109.1	49.5	6.1	4.55	75
(S)TH424S590	377	26.0							109.6	49.7			

1) Weight STH = Weight TH + 4.4 lbs (2 kg)

2) Noise emissions measured in accordance with
DIN 45635 at a distance of 39.37 Inches (1 m)

The motor is surface-cooled and compliant with
DIN IEC 34 and EN 60034 (protection degree IP 55).

Type	Max. del. pressure spec. weight 1		Max. del. volume		Height		Depth of immersion		Weight		Power		Noise level ²⁾ 60 Hz dBA
	PSI	bar	GPM	<i>l/min</i>	H Inches	<i>mm</i>	h Inches	<i>mm</i>	TH ¹⁾ lbs	<i>kg</i>	60 Hz HP	<i>kW</i>	
(S)TH603S190	48	3.2	45	170	13.1	332	7.48	190	37.0	16.8	1.15	0.86	61
(S)TH604S190	62	4.2	45	170	13.1	332	7.48	190	38.6	17.5	1.4	1.06	61
(S)TH605S240	77	5.2	45	170	14.1	359	9.45	240	40.8	18.5	1.7	1.27	61
(S)TH606S240	91	6.2	46	175	15.0	381	9.45	240	55.1	25.0	2.3	1.75	66
(S)TH607S290	107	7.8	46	175	16.0	407	11.42	290	63.9	29.0	2.6	1.95	66
(S)TH608S290	122	8.4	48	185	17.3	439	11.42	290	70.6	32.0	2.9	2.18	66
(S)TH609S340	139	9.8	48	185	17.3	439	13.39	340	77.2	35.0	3.4	2.55	66
(S)TH610S340	158	10.8	50	195	17.3	439	13.39	340	79.4	36.0	3.9	2.94	66
(S)TH611S390	171	12.0					15.35	390	80.7	36.6			
(S)TH612S390	184	13.0	50	195	17.0	432	15.35	390	105.8	48.0	4.6	3.45	75
(S)TH613S490	202	14.0	50	195	17.0	432	19.29	490	110.0	49.9	5.1	3.8	75
(S)TH614S490	220	15.2							110.5	50.1			
(S)TH615S490	238	16.2	52	200	17.0	432	19.29	490	114.2	51.8	6.1	4.55	75
(S)TH616S490	250	17.8							115.3	52.3			
(S)TH617S590	264	18.4					23.23	590	116.4	52.8			
(S)TH618S590	280	19.8	52	200	18.2	462	23.23	590	125.2	56.8	7.7	5.75	75
(S)TH619S590	297	20.8							125.5	56.9			
(S)TH620S590	316	22.0							125.7	57.0			
(S)TH621S690	330	23.0					27.17	690	126.1	57.2			
(S)TH622S690	344	24.0							126.3	57.3			
(S)TH623S690	364	25.2	54	210	18.2	462	27.17	690	134.5	61.0	8.4	6.3	75
(S)TH624S690	380	26.2							134.9	61.2			

1) Weight STH = Weight TH + 4.4 lbs (2 kg)

2) Noise emissions measured in accordance with
DIN 45635 at a distance of 39.37 Inches (1 m)

The motor is surface-cooled and compliant with
DIN IEC 34 and EN 60034 (protection degree IP 55).

3 Safety instructions

When operating the pump, the safety instructions contained in this manual, the relevant national accident prevention regulations and any other service and safety instructions issued by the plant operator are to be observed.

3.1 Hazards in the event of non-compliance with the safety instructions

Non-compliance with the safety instructions may produce a risk to the personnel as well as to the environment and the machine and results in a loss of any right to claim damages.

For example, non-compliance may involve the following hazards:

- Failure of important functions of the machines/plant
- Failure of specified procedures of maintenance and repair
- Exposure of people to electrical, mechanical and chemical hazards
- Endangering the environment due to hazardous substances being released

3.2 Unauthorized modes of operation



- Pump may not be used in potentially explosive environments!
- Pump and discharge piping are not designed to hold any weight and may not be used as a step ladder.

3.3 Remaining Risk



Risk of Injury!

Risk of squeezing or crushing body parts when installing or removing the pump exists. Proper and secured lifting tools must be used.

Risk of burns!

The pump must have cooled down sufficiently prior to commencing any repair, maintenance or installation.

3.4 Qualification and training of operating personnel

The personnel responsible for operation, maintenance, inspection and assembly must be adequately qualified. Scope of responsibility and supervision of the personnel must be exactly defined by the plant operator. If the staff does not have the necessary knowledge, they must be trained and instructed, which may be performed by the machine manufacturer or supplier on behalf of the plant operator. Moreover, the plant operator is to make sure that the contents of the operating manual are fully understood by the personnel.

3.5 Safety instructions relevant for operation

- If hot or cold machine components involve hazards, they must be guarded against accidental contact.
- Guards for moving parts (e.g. coupling) must not be removed from the machine while in operation.
- Any leakage of hazardous (e.g. explosive, toxic, hot) fluids (e.g. from the shaft seal) must be drained away so as to prevent any risk to persons or the environment. Statutory regulations are to be complied with.
- Hazards resulting from electricity are to be prevented (see for example, the VDE Specifications and the bye-laws of the local power supply utilities).
- The pumps' stability against falling over is not ensured unless it is properly mounted onto the tank.
- The female threads on the motor **MUST NOT** be used to lift the entire pump and motor assembly.

3.6 Safety instructions relevant for maintenance, inspection and assembly work

Any work on the machine shall only be performed when it is at a standstill, it being imperative that the procedure for shutting down the machine described in this manual be followed.

Pumps and pump units which convey hazardous media must be decontaminated.

On completion of work all safety and protective facilities must be re-installed and made operative again.

Prior to restarting the machine, the instructions listed under "Start up" are to be observed.

3.7 Signs on the pump

It is imperative that signs affixed to the machine, e.g.:

- arrow indicating the direction of rotation
- symbols indicating fluid connections

be observed and kept legible.

3.8 Unauthorized alterations and production of spare parts

Any modification may be made to the machine only after consultation with the manufacturer. Using spare parts and accessories authorized by the manufacturer is in the interest of safety. Use of other parts may exempt the manufacturer from any liability.

4 Transportation and Storage

Protect the pump against damage when transporting. The pumps may only be transported in a horizontal position and hooks or straps must be attached on the motor and pump end.

Do not use the pump shaft for connecting any transportation aids such as hooks or straps.

Pumps must be drained prior to their storage.

Store pump in dry and protected areas and protect it against penetration of foreign bodies.

Always store pump above the freezing point!

5 Installation and Connection

5.1 Mechanical installation

During any assembly or disassembly process the pumps must be secured against tipping through ropes for example at all times.

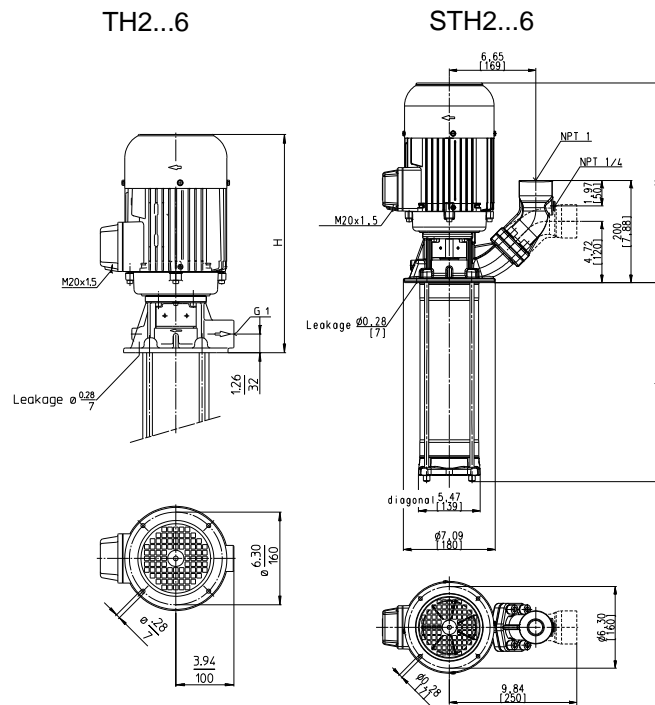
Pumps must be mounted securely. Piping, tank and pumps must be mounted without any tension.

The inlet is at the bottom of the immersed pump body. The distance between the inlet and the tank bottom must be so large that the inlet cannot be blocked by deposits during longer shutdowns.

The leakage is collected in a leakage chamber and drained off by the leakage hole into the tank. During the assembling of the pump, be sure that the leakage hole is free.

To obtain the full flow rate it is recommended to choose for the pipework the nominal bore diameter of the pumps cross section for connection. Therefore pipe bends should be used, not pipe angles!

The pipework must be qualified for occurring hydraulic pressure.



Dimensions in Inches / mm

ATTENTION

Pay attention of the max. tightening torque for piping connection

Type	Pipe connection	Cast iron	bronze
TH2..6	G 1	66 ft. Lbs (90 Nm)	36 ft. Lbs (50 Nm)
STH2..6	NPT 1	66 ft. Lbs (90 Nm)	

When installed the space around the pump must be large enough to provide sufficient cooling of the motor.

Do not prop up the pressure line via the joining socket.



The pump must be mounted in that way that rotating parts under the cover of the coolant tank can not be touched!

5.2 Electric wiring



All service work must be carried out by qualified service personnel. Pump must be disconnected from the power source and all rotating parts must stand still. Reassure that pump is disconnected from power source and cannot be switched on. Verify that there is no voltage at the terminal board!

According to the European Standard EN809 a motor overload must be installed and properly set to the full load amps stated on the pump name plate.

It is the responsibility of the machine operator to decide whether or not an additional emergency switch must be installed.



Danger!

Risk of electric shock

Our asynchronous motors can optionally be fitted with temperature sensors in the form of triplet PTC thermistors, which are used for thermal monitoring of the motor windings. Please note that the temperature sensors meet the insulation requirements of basic insulation. The improper connection of the triplet PTC thermistors to evaluation units that do not have a protective function against overvoltage in the event of a fault can lead to voltages dangerous to the touch and electric shock.

Please check whether the evaluation units you intend to use are permissible for the electrical connection of the temperature sensors.

5.2.1 Circuit



Tension voltage and frequency must correspond with the shown specification on the nameplate.

The pump must be wired so that a solid longterm electrical connection is ensured. Establish a solid ground connection.

The electrical wiring must be performed according to the wiring diagram shown inside the terminal box cover. (Please see above sample wiring diagrams)

Wiring diagram e.g.

Voltage changing 1:2 YY / Y
e.g. 230 / 460 V, 60 Hz

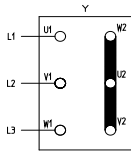


YY
Low Voltage

Y
High Voltage

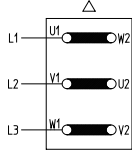
Circuit on request

Y (Star connection)
up to 7.4 HP
(5.5 kW)



Y 440 V – 480 V
60 Hz

Δ (Delta connection)
8, 8.7, 10.1, 12.1, 14.7, 17.4 HP
(6, 6.5, 7.5, 9, 11, 13 kW)



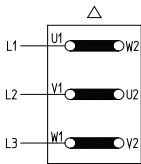
Δ 440 V – 480 V
60 Hz

Voltage changing Δ / Y.

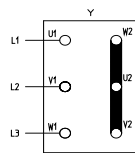
e. g. 220 V – 240 V / 380 V – 420 V, 50 Hz

Δ (Delta Connection)

Y (Star Connection)



Δ 220 V – 240 V,
50 Hz



Y 380 V – 420 V,
50 Hz

There may be no foreign objects such as dirt, particles or humidity inside the terminal board.

Mount terminal board cover to motor tight against dust and humidity and close up all unused wiring ports.

ATTENTION

When Variable Frequency Drives are used interfering signals might occur.

Non-sinus shaped supply voltage from a variable frequency drive might result in elevated motor temperatures.

6 Start-up / Shut-down

6.1 Start-up

ATTENTION

Switch off at the mains.

After connection the electrical wires, close the terminal box. Briefly start the motor (max. 30 sec.) and check the rotation according to the arrow on the top of the motor.

If the direction is incorrect change over two of the power leads.

6.2 Shut-down

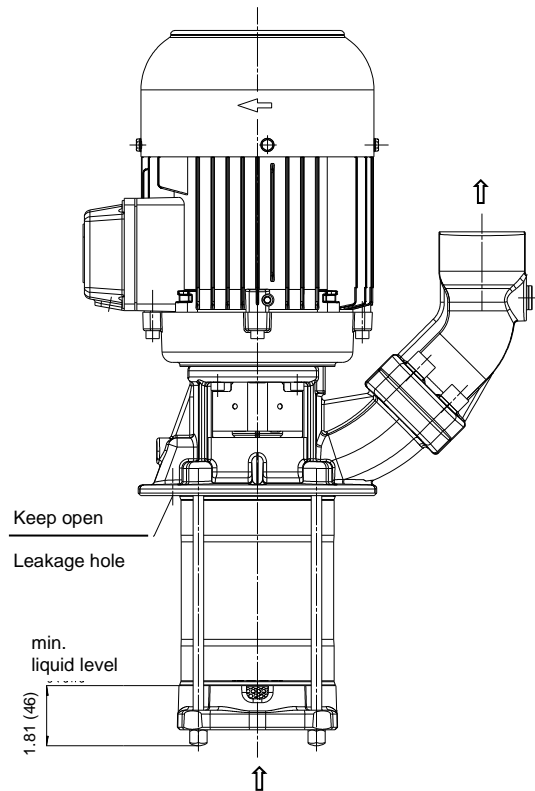
All service work must be carried out by qualified service personnel. Pump must be disconnected from the power source and all rotating parts must stand still. Reassure that pump is disconnected from power source and cannot be switched on. Verify that there is no voltage at the terminal board!

Open terminal box and disconnect the power leads. Empty out the pump.

7 Operation

Liquid level

Be sure that the suction hole of the pump body is immersed about 1.81 Inches (46 mm) in the liquid (min. liquid level) before starting up the motor.



Dimensions in Inches (mm)



If the pump should lock up and cease, shut pump down (see 6.2) and disconnect from power supply. Pump must be uninstalled and removed from the system prior to its repair.

8 Servicing and Maintenance

ATTENTION

The surface of the motor must be kept free of dirt.

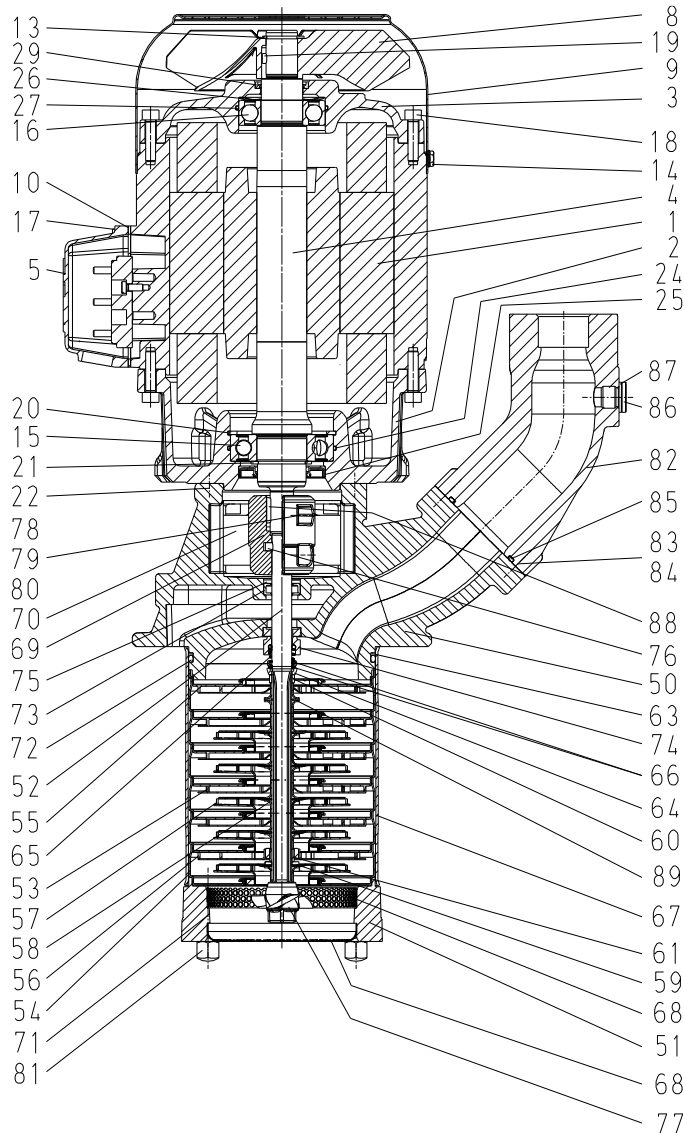
The motor shaft is spinning in permanently greased ball bearings (with special grease and increased bearing play) and does not require any special maintenance.

9 Troubleshooting Guide

Fault	Cause	Remedy
Motor does not start, no motor noise	At least two of the power supply leads have failed	Check fuses, terminals and supply leads .
	Overload has tripped	Inspect overload
Motor does not start, humming noise	One of the supply leads has failed	See above
	Impeller faulty Motor bearing faulty	Replace impeller Replace bearing
Overload trips	Pump locked up mechanically	Inspect pump hydraulics
	High on/of cycling frequency	Check application
Power consumption is too high	Wrong direction of rotation of impeller	See above
	Lime or other deposits mechanical friction	Clean pump mechanism repair pump
Motor overheats	High on/off cycling frequency	See above
	Wrong power supply (voltage or cycles)	Power supply must correspond with name plate rating
Pump does not pump	Insufficient cooling	Check air flow at motor fan
	liquid level too low Pump mechanism faulty Pipe blocked	Fill up liquid replace pump mechanism Clean pipe
Insufficient flow and pressure	Wrong direction of rotation of impeller	Change over two power supply leads
	Pump mechanism silted up Worn pump mechanism	Clean pump mechanism Replace pump mechanism
Incorrect flow or pressure	Wrong power supply (voltage or cycles)	Power supply must correspond with name plate rating
Running noise/Vibration	Foreign objects in pump end	Remove foreign objects
	Impeller damaged Bearing/Bushing broken	Replace impeller Replace bearing/bushing

10 Spare Parts

10.1 Spare Part List for the Immersion Pumps of the Series TH/STH2 ... 6



Item Description

13		8	1	Stator with terminal board	
29		19	2	Motor flange	
26		9	3	End shield	
27		3	4	Motor shaft with rotor	
16		18	5	Terminal box	
10		14	8	Fan	
17		4	9	Fan cover	
5		1	10	Gasket	
		24	13	Retaining ring	
		25	13	Retaining ring 1.75...3.5 HP	DIN 471
			14	Thread rolling screw from 1.75 HP and over	DIN 7500
		87	15	Ball bearing	DIN 625
20		86	15	Ball bearing 1.75...3.5 HP	DIN 628
15			16	Ball bearing	DIN 625
21		82	17	Slotted cheese head screw	DIN 84
22		85	18	Stud bolt with bond up to 1.5 HP	
78		83	18	Hexagon socket head cap screw from 1.75 HP and over	DIN 912
79		84	19	Parallel pin	DIN 7
80		88	20	Retaining ring	DIN 472
70		76	21	Retaining ring	DIN 471
69		50	22	Socket head cap screw	DIN 912
75		63	24	O-ring from 1.75 HP and over	
73		74	25	Rotary shaft seal from 1.15 HP and over	
72		66	26	Compensation disk from 1.75 HP and over	
52		64	27	O-ring from 1.75 HP and over	
55		60	29	Rotary shaft seal	
65		89	50	Pump body	
53		67	51	Intake cover	
57		61	52	Pump shaft	
58		59	53	Diffusor with sliding ring	
56		68	54	Entering stage with sliding ring	
54		51	55	Outflow stage (S)TH2...(S)TH4	
71		68	56	Bearing stage with sliding ring	
81		77	57	Impeller	
			58	Spacer-long 2 x per stage	
			59	Spacer-short 1 x per bearing stage	
			60	Sliding ring	
			61	Shaft sleeve	
			63	Spiral backup ring	
			64	Mech. seal stop ring cover	
			65	Mech. seal stop half-ring	
			66	Mech. seal washer up to (S)TH216S, (S)TH414S and (S)TH614s	
			66	Mech. seal stop ring from (S)TH217S,(S)TH415S and (S)TH615S	
			67	Pump casing	
			68	Sieve	
			69	Clamp coupling	
			70	Coupling shield with M5 screw	
			71	Stud bolt	
			72	O-ring	
			73	Rotary shaft seal	
			74	Mechanical seal	
			75	Retaining ring	
			76	Parallel pin	DIN 7
77	Suction screw				
78	Hexagon socket head cap screw	DIN 912			
79	Serrated lock washer	DIN 6798			
80	Hexagon nut	DIN 934			
81	Hexagon cap nuts	DIN 917			
82	Joining socket STH				
83	Socket head cap screw STH	DIN 912			
84	Spring washer STH	DIN 7980			
85	O-ring STH				
86	Screw plug STH	DIN 908			
87	Sealing ring STH	DIN 7603			
88	Woodruff key	DIN 6888			
89	Distance plate instead of impeller at empty stage for special depth of immersion				

10.2 Indications to the spare part order

Spare parts are available from the supplier. Standard commercially available parts are to be purchased in accordance with the model type. The ordering of spare parts should contain the following details:

1. Pumptype

e.g. TH204S190

2. Pump No.

e.g. 08246420

The date of the construction year is a component of the pumps type number.

3. Voltage, Frequency and Power

Take item 1, 2 and 3 from the nameplate

4. Spare part with item No.

e.g. Impeller item No. 57

11 Repair

11.1 Exchange the rotary mechanical seal: up to (S)TH216S, (S)TH414S, (S)TH614S

- 1) Disconnect the pump from the power supply.
- 2) Loosen the M5 screws and pull out coupling shield (70). Remove clamp coupling (69.1, 69.2) and parallel pin (76).
- 3) Loosen and pull off the hexagon cap nuts (81), the stud bolt (71) and the pump casing (67) from the pump unit. Remove pump unit with pump shaft (52) from the pump body (50).
- 4) Take off rotating axial face seal unit (74.1-74.5) and mech. seal washer (66) from the shaft (52) and clean the shaft. Pay attention to the drilled hole for the parallel pin (76) that it is without any bur. Check the sliding surface for the rotary shaft seal (73) for any damage.
- 5) Remove complete seal (74.6, 74.7) from the pump body (50) and clean the seat.
- 6) Mounting of the new axial face seal :
Ensure that the sliding surfaces of the ring and the rotating axial face seal unit are free from grease and dirt.
Moisten the angle-sleeve (74.7) of the counter ring lightly with rinse water / (water with washing-up liquid) and push the unit into the seat of the pump body (50).
Slide the mech. seal washer (66) first and then the axial face seal (74.1-74.5) onto the pump shaft (52).
- 7) Lubricate lightly the lip of the rotary shaft seal (73) and push it into the pump body (50). Then insert the pump shaft (52) with the pump unit through the rotary shaft seal (73).
- 8) Fit together the coupling clamp (69) with the parallel pin (76) around the shafts, tighten the hexagon socket head cap screws (78) with the serrated lock washer (79) lightly.
Be sure that the key of the motor shaft (4) coin-

cides with the key groove of the coupling clamp(69.1). Press the pump shaft (52) toward the motor and tighten the screws.

The distance between the two shaft ends **must be zero**.

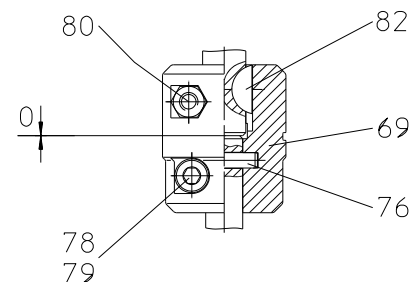
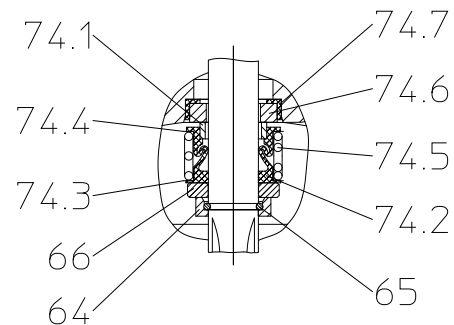
- 9) Lubricate the O-ring seal (72) of the pump body (50), screw and put on the stud bolt (71), the hexagon cap nuts (81) and the pump casing (67).
- 10) Fit the coupling shield (70) into the pump body (50) and tighten the M5 screws.
- 11) Reconnect pump to the power supply.

Note torques for the screw connections!

When putting the pump back into use, **make sure the direction of rotation is correct!**

Tightening torques for screwed connections

Thread - Ø	M4	M5	M6	M8	M10
Strength classes	4.8	4.8	8.8	8.8	8.8
Tightening torque ft. lbs. (Nm)	0.7 (1)	2.2 (3)	3.3 (4.5) 15 (20) Clamp coupling	11 (15) 22 (30) Clamp coupling	22 (30)



11.2 Exchange the rotary mechanical seal: from (S)TH217S, (S)TH415S , (S)TH615S

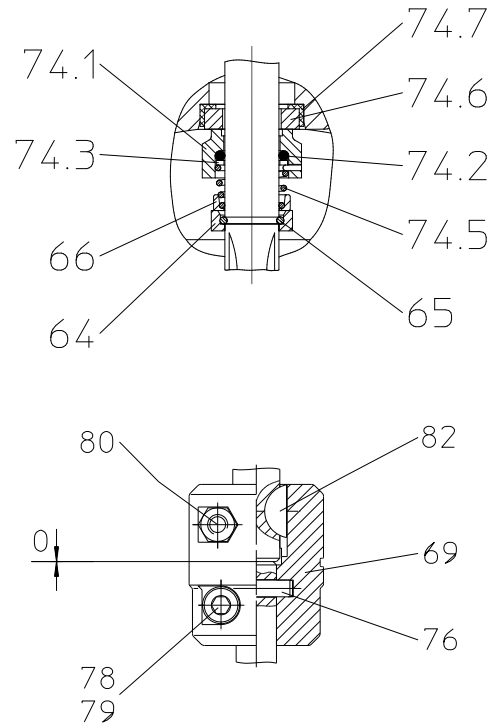
- 1) Disconnect the pump from the power supply.
- 2) Loosen the M5 screws and pull out coupling shield (70). Remove clamp coupling (69.1. 69.2) and parallel pin (76).
- 3) Loosen and pull off the hexagon cap nuts (81), the stud bolt (71) and the pump casing (67) from the pump unit. Remove pump unit with pump shaft (52) from the pump body (50).
- 4) Take off rotating axial face seal unit (74.1-74.5) and mech. seal stop ring (66) from the shaft (52) and clean the shaft. Pay attention to the drilled hole for the parallel pin (76) that it is without any bur. Check the sliding surface for the rotary shaft seal (73) for any damage.
- 5) Remove complete seal (74.6. 74.7) from the pump body (50) and clean the seat.
- 6) Mounting of the new axial face seal :
Ensure that the sliding surfaces of the ring and the rotating axial face seal unit are free from grease and dirt.
Moisten the angle-sleeve (74.7) of the counter ring lightly with rinse water / (water with washing-up liquid) and push the unit into the seat of the pump body (50).
Slide the mech. seal stop ring (66) first and then the axial face seal (74.5-74.1) (**single part**) onto the pump shaft (52).
- 7) Lubricate lightly the lip of the rotary shaft seal (73) and push it into the pump body (50). Then insert the pump shaft (52) with the pump unit through the rotary shaft seal (73).
- 8) Fit together the coupling clamp (69) with the parallel pin (76) around the shafts, tighten the hexagon socket head cap screws (78) with the serrated lock washer (79) lightly.
Be sure that the key of the motor shaft (4) coincides with the key groove of the coupling clamp(69.1).
Press the pump shaft (52) toward the motor and tighten the screws.
The distance between the two shaft ends **must be zero**
- 9) Lubricate the O-ring seal (72) of the pump body (50), screw and put on the stud bolt (71), the hexagon cap nuts (81) and the pump casing (67).
- 10) Fit the coupling shield (70) into the pump body (50) and tighten the M5 screws.
- 11) Reconnect pump to the power supply.

Note torques for the screw connections!

When putting the pump back into use, **make sure the direction of rotation is correct!**

Tightening torques for screwed connections

Thread - Ø	M4	M5	M6	M8	M10
Strength classes	4.8	4.8	8.8	8.8	8.8
Tightening torque ft. lbs. (Nm)	0.7 (1)	2.2 (3)	3.3 (4.5) Clamp coupling	11 (15) Clamp coupling	22 (30)



12 Disposal

When disposing of the pump or the packaging materials the local and national regulation for proper disposal must be complied with.

Prior to its disposal, the pump must be completely drained and decontaminated if necessary.

13 Brinkmann Pumps Inc. Terms and Conditions

The following terms and conditions govern all quotations made by Brinkmann Pumps Inc. („Brinkmann“) and any orders based upon these quotations. No contract term or condition shall be amended, deleted or added without the express written consent of Brinkmann, and Brinkmann hereby rejects any terms set forth in any other writing which are in addition to or different from the terms in this quotation.

These items and conditions and any other terms and conditions delivered in writing by an authorized agent of Brinkmann contemporaneously herewith constitute the complete agreement between Brinkmann and the buyer and supersede all prior oral, written or printed statements of any kind (including any terms and conditions submitted by the buyer and performance or production data from any source whatsoever, including references to accuracy, capacity, and capability of products, all of which are estimates only) made by Brinkmann or the buyer or their respective representatives. No statement, recommendation or assistance given by Brinkmann or its representatives to buyer or its representatives, in connection with the use of any products by buyer, shall constitute a waiver by Brinkmann of any of the provisions hereof or affect Brinkmann's liability, as defined herein. All transactions covered hereby and all terms and conditions of sale shall be governed by the laws of the state of Michigan.

Prices

The products offered in this proposal and the prices quoted are based on our understanding of buyer's requirements; any change in requirements will necessitate a revision in prices quoted. Prices are F.O.B. our dock, Wixom, Michigan, or other location as specified on proposal. Brinkmann's prices do not include sales, use, excise, or similar tax, applicable to the sale or use of the equipment proposed. These taxes shall be paid by the buyer, or in lieu thereof, the buyer shall provide Brinkmann with a tax exemption certificate acceptable to the taxing authorities.

Delays or failure to deliver

Brinkmann shall not be responsible for delay or failure to deliver due to acts of God, or to government action (civil or military), or to prior orders, or to fire, embargo, strike or other labor problems, wrecks, delays in transportation, unusually severe weather or inability to obtain necessary labor or materials from the usual source of supply, or any other circumstances beyond Brinkmann's control.

Brinkmann shall have the right to furnish suitable substitutes for materials which cannot be obtained because of such force majeure.

Installation

Buyer shall install at its own expense, all products covered hereby in accordance with the operating instructions to be furnished to buyer upon request. Unless otherwise stated, no installation services are included in the price indicated.

Limited warranty

Brinkmann warrants to the buyer (but not to any others) for a period of one year from date of shipment that all new parts are free from defects in material and workmanship. Brinkmann's said warranty shall exist only if buyer gives written notice to Brinkmann within ten days after the first determination that the part is defective and within the aforesaid one year period from the date of shipment and includes in said notice consent to Brinkmann to inspect, at any reasonable time, said part and the machine in which it may be embodied, and if, and only if, Brinkmann determines to its reasonable satisfaction upon said inspection that said part and the machine in which it may be embodied are, and have been, used in accordance with all Brinkmann's instructions as to maintenance and operation set forth in the operating instructions relating to the machine. Brinkmann's warranty is limited to shipping to buyer replacement of any part which is so proven to be defective and in any event shall have **no liability whatsoever for incidental or consequential damage or loss of profit**, including damages resulting from personal injury or death, or damage to, or loss of use of, any property. Brinkmann is not responsible for shipping costs or labor, extends no warranty of any kind for gasket, seals and wear and tear materials. Notwithstanding any provisions of these terms and conditions, **this warranty is the only warranty extended by Brinkmann in connection with any sales of products and is in lieu of all other warranties, express or implied, including warranties of merchantability or fitness for purpose.** No agent, employee or representative of Brinkmann has any authority to bind Brinkmann to any affirmation, representation, or warranty concerning the products that are the subject of this quotation beyond that specifically included in the written quotation. Brinkmann shall have no obligation to install or provide improvements or changes in design adapted by Brinkmann for similar equipment subsequent to acceptance of buyer's order.

Warranties have been discussed and understood by both parties.

Buyer's use and O.S.H.A.

Buyer shall use and require all persons operating the equipment to use all proper and safe operating procedures set forth in operating instructions relating to the equipment and observe all occupational safety health and standards act (O.S.H.A.), American National Standard Institute (ANSI), and state regulations as required and all available, feasible and practical point of operation safety devices consistent with buyer's use of the equipment. Buyer shall not remove or modify, any device, warning sign, operating instructions or work handling tools installed on or attached to the equipment. Buyer shall notify Brinkmann promptly, in writing, and in all events within ten (10) days after its occurrence, of any accident or malfunction involving any equipment which results in injury to or death of persons or damage to property, or the loss of use thereof and buyer shall cooperate fully with Brinkmann in investigation and determining the cause of any such occurrence of malfunction. At Brinkmann's request made at any time, buyer will either at its or Brinkmann's place of business, permit to redesign, remodel or revise the equipment and buyer waives any claims against Brinkmann for buyer's inability to use the equipment during the time that same is out of service for such revision, modification or redesign.

Brinkmann shall not be responsible for any failure to comply which results from the location, operation, design, use or maintenance of the equipment from alternation of the equipment by persons or firms other than Brinkmann, or from an option or accessory to the equipment by persons or firms other than Brinkmann, which was available to the buyer but omitted at the buyer's direction, or from design or instructions furnished by the buyer or its agents. In view of the above, Brinkmann does not make any warranties with respect to O.S.H.A. requirements, including noise; and will not be responsible for fines, penalties, or consequential damages.

Payment terms

Net payment in full of all invoices is due thirty (30) days net, unless stated otherwise in quotation. Any unpaid balance thereafter shall be subject to a service charge of 1.75 % per month or, if illegal, at the highest rate allowed by law. There shall be no extension or change in the time for payment due to delay in installation and/or delays in operation of the equipment caused by damage, warranty service or warranty replace-

ment of parts. If after Brinkmann's acceptance of buyer's purchase order, buyer requests Brinkmann to delay shipment of the equipment, the purchase price shall become due and owing thirty (30) days after the equipment is ready for shipment.

If buyer fails to pay the purchase price as provided herein and Brinkmann institutes a lawsuit for the collection of said price, buyer agrees to pay Brinkmann's reasonable attorney fees incurred in connection therewith.

Acceptance of orders

Quotations are offered for written acceptance within thirty (30) days from date (unless otherwise stated) but are subject to change without notice at any time before acceptance. If any order contains printed, stamped or other provisions inconsistent or in conflict with the terms and conditions hereof, the terms and conditions hereof shall control, unless otherwise specifically stated by Brinkmann in writing. All clerical errors are subject to correction in favor of either party upon notice of either party. All orders are subject to the credit approval of Brinkmann. An order containing subject matter not within the contemplation of the proposal shall be subject to a further quotation as to price or delivery or both. Modifications, changes, deferred shipments, cancellations or additions will be effective only if accepted by Brinkmann in writing and then only upon terms that will indemnify Brinkmann against all costs and losses.

Title and security agreement

Delivery to carrier shall constitute transfer to the buyer, and all risk of loss or damage in transit shall be borne by the buyer.

By execution of a purchase order, buyer hereby grants to Brinkmann a security interest in the equipment covered by the proposal, and its products and/or proceeds in order to secure the payment of the purchase price thereof and buyer authorizes to file financing statements reflecting this security interest without buyer's signature. Buyer will cooperate with Brinkmann in preparing documents necessary to perfect this security interest.

Proprietary and other materials

This quotation and all drawings, specifications, materials, patterns, and special purpose manufacturing aids which are supplied to buyer by Brinkmann shall be kept in confidence and shall be listed and maintained in suitable condition at the expense of buyer and are to be considered the property of Brinkmann held on consignment by buyer and to be insured while in buyer's possession. Such articles and all copies thereof from any source shall be returned to Brink-

mann at any time upon request and shall not be used for or by any third parties without the express written permission of Brinkmann.

Performance in event of default

In addition to the rights and remedies conferred upon Brinkmann by law, Brinkmann will not be required to proceed with the performance of any order or contract if buyer is in default in the performance of any order or contract with Brinkmann and in case of doubt as to buyer's financial condition, shipments under an order may be suspended or sent sight draft with bill of lading attached and Brinkmann may decline further shipments except for cash before shipment.

Hold harmless/indemnity

Except to the extent of the limited warranty set forth above and Brinkmann's own gross negligence or willful misconduct, buyer hereby:

- (1) waives, releases and discharges any and all claims of any and every kind (including but not limited to injury or death of any person or damage to property), which it may have at any time against Brinkmann, its agents or employees, by reason of or arising out of any claimed improper design, specification or manufacture of the equipment sold hereunder, or of any claimed inadequate or insufficient safeguards or safety devices; and (2) covenants to indemnify and hold harmless Brinkmann, its agents and employees of, from and against any and all loss, damage, expense (including attorney's fees), claims, suits or liability which Brinkmann or any of its employees may sustain or incur at any time for or by reason of any injury or death of any person or persons or damage to any property, arising out of any claimed improper design or manufacture of the equipment sold hereunder, or of any claimed inadequate or insufficient safeguards or safety devices.

Electrical equipment

Motors, electrical equipment and wiring on the equipment quoted will be supplied in accordance with the manufacturer's standards. Unless specifically quoted they are not guaranteed to meet ordinances of any local governing body and the responsibility of conforming to any local ordinance is assumed by the buyer.

Inspection and testing, production estimates and performance

All working drawings or other materials provided by Brinkmann are for general information purposes only and may or may not relate to buyer's order or other equipment. Any specifications contained therein are not binding on Brinkmann except as expressly so stated. Brinkmann reserves the right to make, at any time, such changes in detail of design or construction as shall in the sole judg-

ment of Brinkmann constitute an improvement over former practice. Production data, where given, are based on Brinkmann's careful analysis and understanding of the limits of accuracy, machinability of materials, amount of material to be removed, handling facilities provided, and location points but are nonetheless an estimate only and not guaranteed or warranted. In no event shall Brinkmann be responsible for performance figures supplied by other parties. If by written agreement the equipment is to be subject to acceptance tests before shipment, rejection under this clause must take place prior to shipment.

Returned equipment

In no case is equipment to be returned without first obtaining written permission from Brinkmann. Unless otherwise expressly agreed an order for equivalent value must accompany returned equipment and all such returned equipment will be accepted for credit only after inspection. Equipment returned without good cause and for which no credit is given shall be subject to a restocking charge. Buyer returning equipment must pay transportation charges and bear risks of loss or damage to goods while in transit. Acceptance of returned products by Brinkmann's receiving department shall not bind Brinkmann nor have any force or effect unless acceptance is made by Brinkmann in writing.