

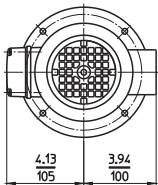
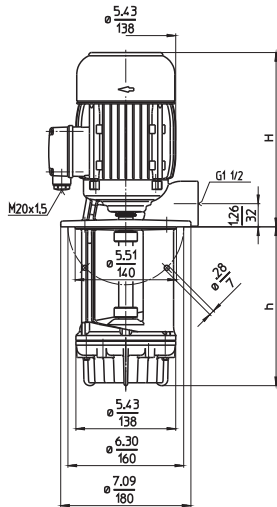
Quick Suctioning Immersion Pumps

TGL/SGL331...333

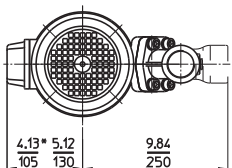
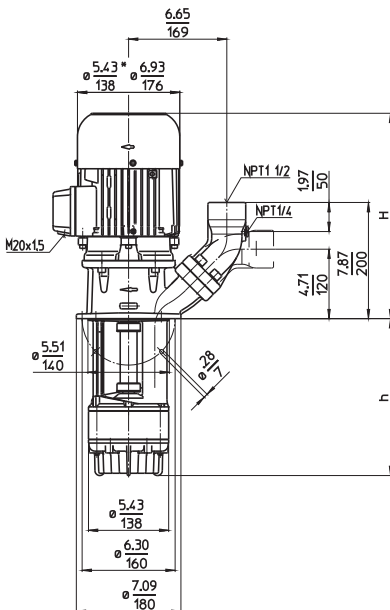
Axial/semi-open impellers



TGL331



SGL331...333



Type	Flow at head		Height		Depth of immersion		Weight		Power HP kW	Voltage 3~ V	Fre- quen- cy Hz	Current Speed	
	GPM /Feet l/min /m	H inch mm	h inch mm	h inch mm	Lbs kg	Lbs kg	AMPS	RPM					
TGL331S140	50/25	10.4	5.51	140	35.3	16.0	1.3	230	60	4	3450		
	200/8	264					0.98	460	60	2	3450		
	220		8.66	220	37.5	17.0							
	290		11.42	290	38.6	17.5							
	370		14.57	370	40.8	18.5							
	460		18.11	460	44.1	20.0							
570		22.44	570	46.3	21.0								
SGL331S140	50/25	13.1	5.51	140	48.5	22	1.3	230	60	4	3450		
	200/8	334					0.98	460	60	2	3450		
	220		8.66	220	50.7	23							
	290		11.42	290	52.9	24							
	370		14.57	370	55.1	25							
	460		18.11	460	59.5	27							
	570		22.44	570	61.7	28							
	770		30.31	770	77.2	35							
	920		36.22	920	81.6	37							
	SGL332S190	50/50	16.0	7.48	190	75.0	34	2.6	230	60	7.0	3480	
200/15		406					1.95	460	60	3.5	3480		
270			10.63	270	77.2	35							
340			13.39	340	79.4	36							
420			16.54	420	81.6	37							
510			20.87	530	83.8	38							
620			24.41	620	88.2	40							
820			32.28	820	103.6	47							
970			38.19	970	108.0	49							
SGL333S240		50/75	17.3	9.45	240	88.2	40	3.4	230	60	8.8	3480	
	200/22	439					2.55	460	60	4.4	3480		
	320		12.60	320	90.4	41							
	390		15.35	390	92.6	42							
	470		18.50	470	94.8	43							
	560		22.05	560	99.2	45							
	670		26.38	670	103.6	47							
	870		34.25	870	116.9	53							
	1020		40.16	1020	121.3	55							

Dimensions in Inches / mm
 Dimensions in Inches / mm
 *) Dimensions SGL331



Quick Suctioning Immersion Pumps

of series TGL/SGL are equipped with the patented "BRINKMANN's Suction De-aeration System" and are excellently suited for pumping **extremely air entrained fluids** (grinding oils) as they occur in high-speed grinding.

The quick suctioning immersion pumps reach stable working conditions as soon as the liquid level reaches the suction inlet.

The SGL pumps are equipped with the user-friendly 45 degree (SAE) flange connection which allows for either vertical or horizontal pipe connection and the connection of a pressure gauge.

Applications

- Types of fluid
 - coolants
 - cooling/cutting oils
 - grinding oils
- Kinematic viscosity
 - ...200 SSU (...45 mm²/s)
- Pumping temperature
 - 30...175 °F (0...80 °C)

Construction

Pump body	cast iron
Cover	cast iron
Impeller axial	cast steel
Impeller radial	cast steel
Shaft	steel

