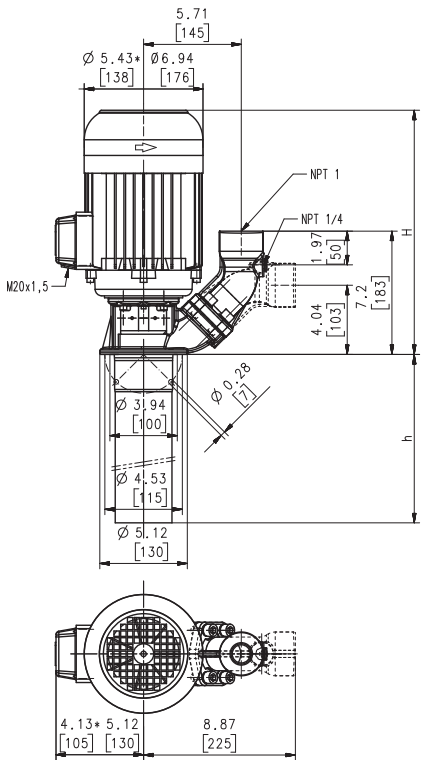


# Immersion Pumps (S)TC63

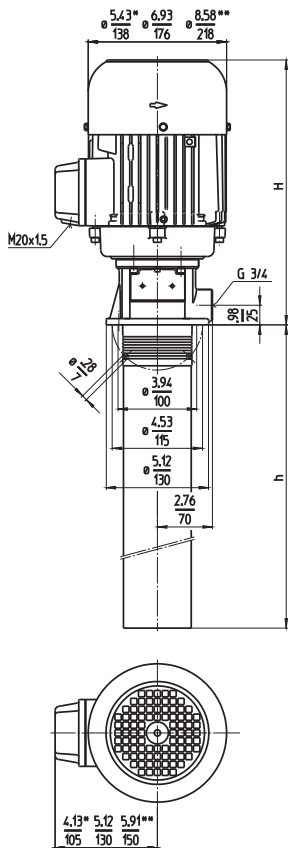
Closed impellers

60 Hz

## STC63



## TC63



Type	Flow at head	Height	Depth of im- mersion		Weight		Power	Voltage	Fre- quen- cy	Current	Speed
	GPM /Feet l/min /m	H inch mm	h inch	h mm	Lbs	kg	HP kW	V	Hz	AMPS	RPM
(S)TC63S270	15/120	13.6	10.83	275	32.0	14.5	1.7	230	60	4.8	3440
	60/34	345					1.27	460	60	2.4	3440
(S)TC63S350	15/172	14.4	13.39	340	48.5	22	2.3	230	60	6.2	3470
	60/50	367					1.75	460	60	3.1	3470
(S)TC63S440	15/240	16.7	17.32	440	59.5	27	2.9	230	60	7.8	3500
	60/70	425					2.18	460	60	3.9	3500
(S)TC63S560	15/355	16.7	22.24	565	66.2	30	3.9	230	60	10.2	3480
	60/104	425					2.94	460	60	5.1	3480
TC63S750	15/500	16.5	29.72	755	92.6	42	5.1	230	60	12.8	3520
	60/145	418					3.8	460	60	6.4	3520

Dimensions in Inches / mm  
 \*) Dimensions (S)TC63S270  
 \*\*) Dimensions TC63S750



**Immersion Pumps**

models (S)TC40...(S)TC160 have been especially developed to supply **internally cooled tools** with coolant.

**Closed impellers** provide optimal hydraulic efficiencies while minimizing power consumption.

A **frequency alternator** can be supplied for **special applications** or for matching the pump characteristic to a specific duty point. See page "Control/Regulation" in the Technical Information section of this catalog for further information.

**Longer pump lengths and threaded inlets** are available upon request.

Please see medium pressure pumps features in the Technical Information section of this catalog or call 248-926-9400 for details.



**Applications**

- Types of fluid
  - Industry water
  - coolants
  - cooling/cutting oils
- Kinematic viscosity
  - ...200 SSU (...45 mm<sup>2</sup>/s)
- Pumping temperature
  - 30...140 °F (0...60 °C)

**Construction**

Pump body	cast iron
Pump shell	steel
Cover	PBTP
Intake strainer	steel
Impellers	PBTP
Shaft	steel
Mechanical seal	SiC
O-rings	Viton®
<b>Optional:</b>	
Pump body	CrNi-steel
Threaded inlet	G 1 ¼
<b>Noise level (Motor only; Tolerance +3 dBA)</b>	
(S)TC63S270	61 dBA
(S)TC63S350...(S)TC63S560	68 dBA
TC63S750	72 dBA

