

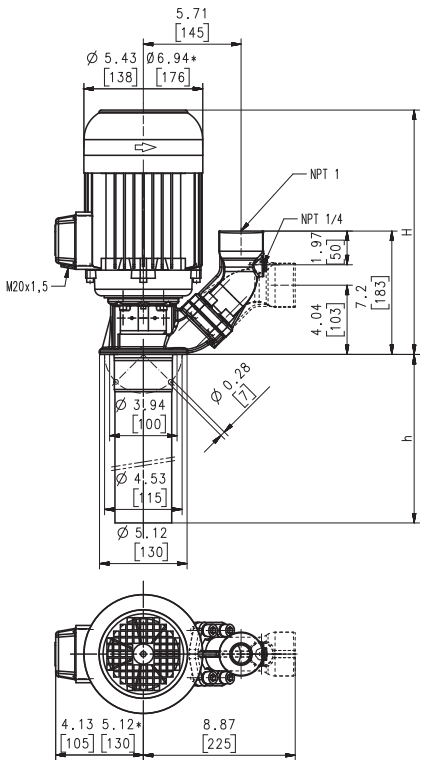
Immersion Pumps

(S)TC40

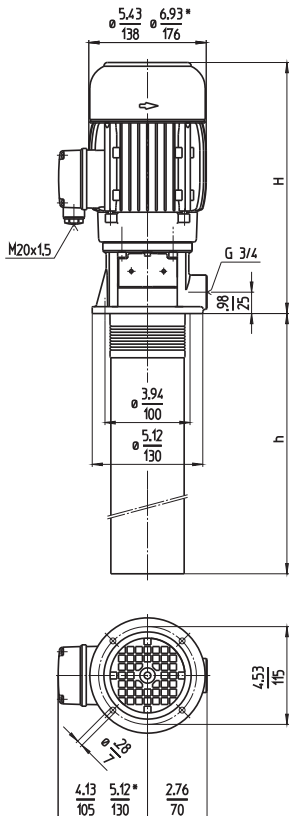
Closed impellers



STC40



TC40



Type	Flow at head	Height	Depth of im- mersion		Weight		Power HP kW	Voltage 3~ V	Fre- quen- cy Hz	Current AMPS	Speed RPM
	GPM /Feet /min /m	H inch mm	h inch	h mm	Lbs	kg					
(S)TC40S260	5/150	12.5	10.24	260	29.8	13.5	1	208-230	60	3.02	3425
	20/45	317					0.725	460	60	1.46	3425
(S)TC40S340	5/220	12.5	13.19	335	30.9	14	1.3	230	60	4	3450
	20/66	318					0.98	460	60	2	3450
(S)TC40S430	5/320	14.4	16.93	430	48.5	22	2.3	230	60	6.2	3470
	20/96	367					1.75	460	60	3.1	3470
(S)TC40S550	5/430	15.5	21.65	550	55.1	25	2.6	230	60	7.0	3480
	20/127	393					1.95	460	60	3.5	3480
(S)TC40S720	5/615	16.7	28.35	720	66.2	30	3.9	230	60	10.2	3480
	20/182	425					2.94	460	60	5.1	3480

Dimensions in Inches / mm
*) Dimensions for (S)TC40S430...720



Immersion Pumps

models (S)TC40...(S)TC160 have been especially developed to supply **internally cooled tools** with coolant.

Closed impellers provide optimal hydraulic efficiencies while minimizing power consumption.

A **frequency alternator** can be supplied for **special applications** or for matching the pump characteristic to a specific duty point. See page "Control/Regulation" in the Technical Information section of this catalog for further information.

Longer pump lengths and threaded inlets are available upon request.

Please see medium pressure pumps features in the Technical Information section of this catalog or call 248-926-9400 for details.



Applications

- Types of fluid
 - Industry water coolants
 - cooling/cutting oils
- Kinematic viscosity
 - ...115 SSU (...25 mm²/s)
- Pumping temperature
 - 30...140 °F (0...60 °C)

Construction

Pump body	cast iron
Pump shell	steel
Cover	PBTP
Intake strainer	steel
Impellers	PBTP
Shaft	steel
Mechanical seal	SiC
O-rings	Viton®
Optional:	
Pump body	CrNi-steel
Threaded inlet	G 1 ¼
Noise level (Motor only; Tolerance +3 dBA)	
(S)TC40S260...(S)TC40S340	61 dBA
(S)TC40S430...(S)TC40S720	68 dBA

