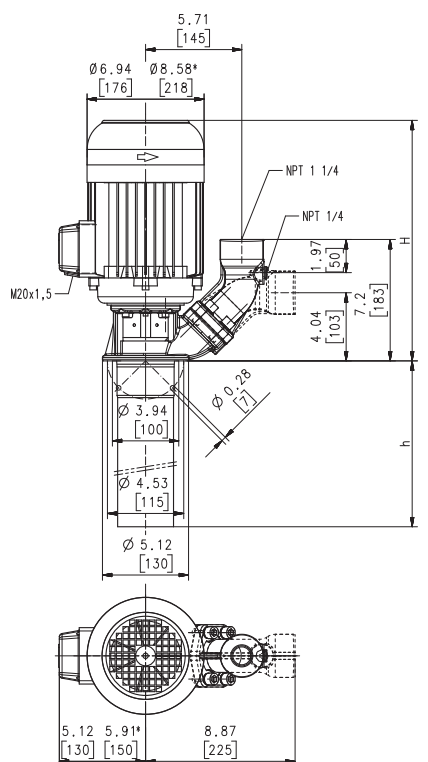


Immersion Pumps (S)TC160

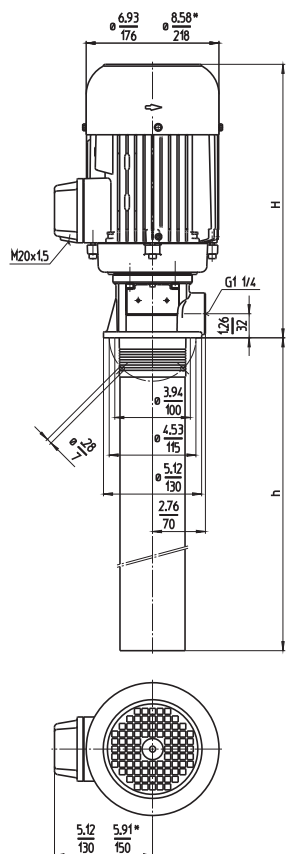
Closed impellers

60 Hz

STC160



TC160



Type	Flow at head	Height	Depth of im- mersion		Weight		Power HP kW	Voltage 3~ V	Fre- quen- cy Hz	Current AMPS	Speed RPM
	GPM /Feet l/min /m	H inch mm	h inch	h mm	Lbs	kg					
(S)TC160S330	20/110	14.4	12.80	325	46.3	21	2.3	230	60	6.2	3470
	80/32	367					1.75	460	60	3.1	3470
(S)TC160S430	20/175	16.7	16.73	425	59.5	27	2.9	230	60	7.8	3500
	80/51	425					2.18	460	60	3.9	3500
(S)TC160S580	20/270	16.5	22.83	580	92.6	42	4.6	230	60	12	3520
	80/78	418					3.45	460	60	6	3520
TC160S740	20/365	16.5	28.94	735	97.0	44	6.1	230	60	15.8	3520
	80/108	418					4.55	460	60	7.9	3520

Dimensions in Inches / mm

*) Dimensions STC160S580, TC160S580...740



Immersion Pumps

models (S)TC40...(S)TC160 have been especially developed to supply **internally cooled tools** with coolant.

Closed impellers provide optimal hydraulic efficiencies while minimizing power consumption.

A **frequency alternator** can be supplied for **special applications** or for matching the pump characteristic to a specific duty point. See page "Control/Regulation" in the Technical Information section of this catalog for further information.

Longer pump lengths and threaded inlets are available upon request.

Please see medium pressure pumps features in the Technical Information section of this catalog or call 248-926-9400 for details.

Applications

- Types of fluid
 - Industry water
 - coolants
 - cooling/cutting oils
- Kinematic viscosity
 - ...200 SSU (...45 mm²/s)
- Pumping temperature
 - 30...140 °F (0...60 °C)

Construction

Pump body	cast iron
Pump shell	steel
Cover	PBTP
Intake strainer	steel
Impellers	PBTP
Shaft	steel
Mechanical seal	SiC
O-rings	Viton®
Optional:	
Pump body	CrNi-steel
Threaded inlet	G 1 ¼
Noise level (Motor only; Tolerance +3 dBA)	
(S)TC160S330...(S)TC160S580	68 dBA
TC160S740	72 dBA

