

# Quick Suctioning Immersion Pumps

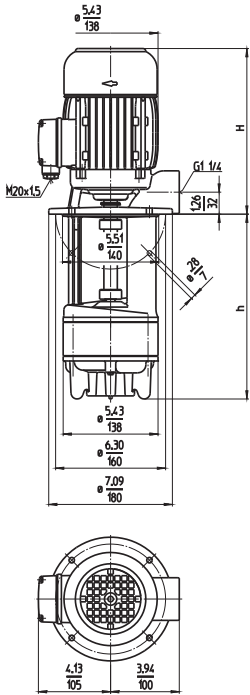


## TAL/SAL301...306

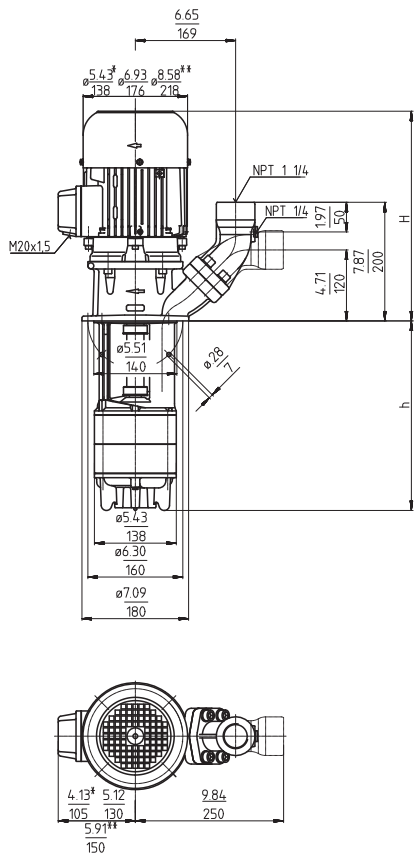
Axial/semi-open impellers



### TAL302



### SAL301...306



Type	Flow at head	Height	Depth of im- mersion		Weight		Power	Voltage	Fre- quen- cy	Current	Speed
	GPM /Feet	H inch	h inch	h mm	Lbs	kg	HP kW	V	Hz	AMPS	RPM
<b>TAL302S190</b>	40/43	11.5	7.48	190	45.2	20.5	1.7	230	60	4.8	3440
270			10.63	270	46.3	21.0	1.27	460	60	2.4	3440
<b>340</b>			13.39	340	47.4	21.5					
420			16.54	420	49.6	22.5					
510			20.08	510	52.9	24.0					
620			24.41	620	56.2	25.5					
<b>SAL301S140</b>	40/32	13.1	5.51	140	48.5	22	1.15	230	60	3.70	3440
220			8.66	220	50.7	23	0.86	460	60	1.85	3440
290			11.42	290	52.9	24					
370			14.57	370	55.1	25					
460			18.11	460	59.5	27					
570			22.44	570	68.4	31					
<b>SAL302S190</b>	40/43	14.2	7.48	190	58.4	26.5	1.7	230	60	4.8	3440
270			10.63	270	60.6	27.5	1.27	460	60	2.4	3440
340			13.39	340	62.8	28.5					
420			16.54	420	66.2	30.0					
510			20.08	510	69.5	31.5					
620					73.9	33.5					
<b>SAL303S240</b>	40/80	15.0	9.45	240	81.6	37	2.3	230	60	6.2	3470
320			12.60	320	83.8	38	1.75	460	60	3.1	3470
390			15.35	390	86.0	39					
470			18.50	470	88.2	40					
560			22.05	560	90.4	41					
670			26.38	670	94.8	43					
870			34.25	870	108.0	49					
1020			40.16	1020	112.5	51					
<b>SAL304S290</b>	40/108	17.3	11.42	290	101.4	46	2.9	230	60	7.8	3500
370			14.57	370	103.6	47	2.18	460	60	3.9	3500
440			17.32	440	105.8	48					
520			20.47	520	110.2	50					
610			24.02	610	112.5	51					
720			28.35	720	116.9	53					
920			36.22	920	130.1	59					
1070			42.13	1070	134.5	61					
<b>SAL305S340</b>	40/140	17.3	13.39	340	112.5	51	3.9	230	60	10.2	3480
420			16.54	420	114.7	52	2.94	460	60	5.1	3480
490			19.29	490	116.9	53					
570			22.44	570	119.1	54					
660			25.98	660	121.3	55					
770			30.31	770	125.7	57					
970			38.19	970	141.1	64					
1120			44.09	1120	145.5	66					
<b>SAL306S390</b>	40/170	18.8	15.35	390	141.1	64	5.1	230	60	12.8	3520
470			18.50	470	143.3	65	3.8	460	60	6.4	3520
540			21.26	540	145.5	66					
620			24.41	620	147.7	67					
710			27.95	710	149.9	68					
820			32.28	820	154.4	70					
1020			40.16	1020	170	77					

Dimensions in Inches / mm  
 \*) Dimensions SAL301, 302  
 \*\*) Dimensions SAL306



**Quick Suctioning Immersion Pumps**

equipped with the patented "BRINKMANN's Suction De-aeration System" are excellently suited for pumping **extremely air entrained fluids** (emulsions resp. cooling/cutting oils) as they occur in heavy cutting when turning, milling or grinding. The quick suctioning immersion pumps reach stable working conditions as soon as the liquid level reaches the suction inlet.

The SAL pumps are equipped with the user-friendly 45 degree (SAE) flange connection which allows for either vertical or horizontal pipe connection and the connection of a pressure gauge.

**Applications**

- Types of fluid
  - coolants
  - cooling/cutting oils
- Kinematic viscosity
  - ...200 SSU (...45 mm<sup>2</sup>/s)
- Pumping temperature
  - 30...175 °F (0...80 °C)

**Construction**

Pump body	cast iron
Cover	cast iron
Impeller axial	cast steel
Impeller radial	brass
Shaft	steel
Optional: Impeller radial	cast steel

