

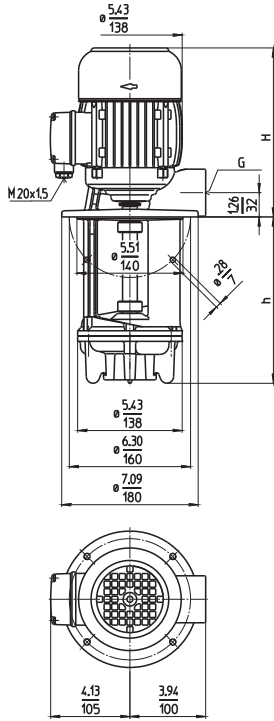
Quick Suctioning Immersion Pumps

TAL/SAL200...430

Axial/semi-open impellers

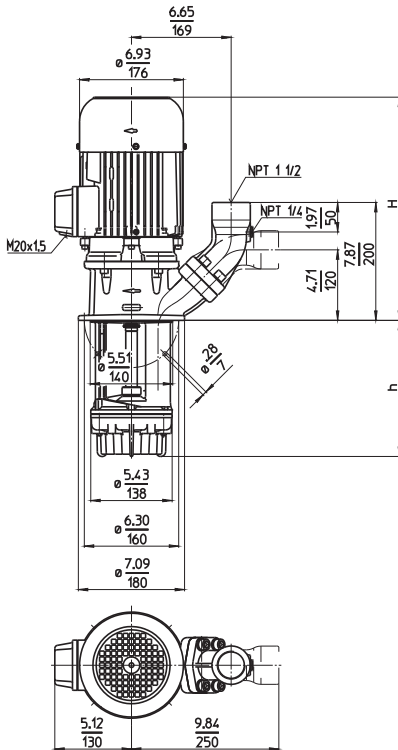


TAL200, TAL320



Type	Flow at head	Height	Depth of immersion		Thread	Weight		Power HP kW	Voltage 3~ V	Frequency Hz	Current Speed	
	GPM /Feet l/min /m	H inch mm	h inch	h mm		G	Lbs				kg	AMPS
TAL200S140	60/12	8.8	5.51	140	G 1 1/4	30.9	14.0	0.75	208-230	60	2.38	3405
	260/2	223									1.14	3405
	220		8.66	220							32.0	14.5
	290		11.42	290							34.2	15.5
	370		14.57	370							36.4	16.5
	460		18.11	460							38.6	17.5
TAL320S140	70/24	11.5	5.51	140	G 1 1/2	37.5	17.0	1.7	230	60	4.8	3440
	400/2	291									2.4	3440
	220		8.66	220							38.6	17.5
	290		11.42	290							40.8	18.5
	370		14.57	370							43.0	19.5
	460		18.11	460							46.3	21.0
SAL430S150	120/24	17.3	5.91	150		71.7	32.5	2.9	230	60	7.8	3500
	460/7	439									2.18	3500
	230		9.06	230							73.9	33.5
	300		11.81	300							76.1	34.5
	380		14.96	380								
	470		18.50	470							78.3	35.5
580		22.83	580	80.5	36.5							

SAL430



Dimensions in Inches / mm



Quick Suctioning Immersion Pumps

equipped with the patented "BRINK-MANN's Suction De-aeration System" are excellently suited for pumping **extremely air entrained fluids** (emulsions resp. cooling/cutting oils) as they occur in heavy cutting when turning, milling or grinding. The quick suctioning immersion pumps reach stable working conditions as soon as the liquid level reaches the suction inlet.

The STA pumps are equipped with the user-friendly 45 degree (SAE) flange connection which allows for either vertical or horizontal pipe connection and the connection of a pressure gauge.

Applications

- Types of fluid
 - coolants
 - cooling/cutting oils
- Kinematic viscosity
 - ...200 SSU (...45 mm²/s)
- Pumping temperature
 - 30...175 °F (0...80 °C)

Construction

Pump body	cast iron
Cover	cast iron
Impeller axial	cast steel
Impeller radial	brass
Shaft	steel
Optional: Impeller radial	cast steel

