

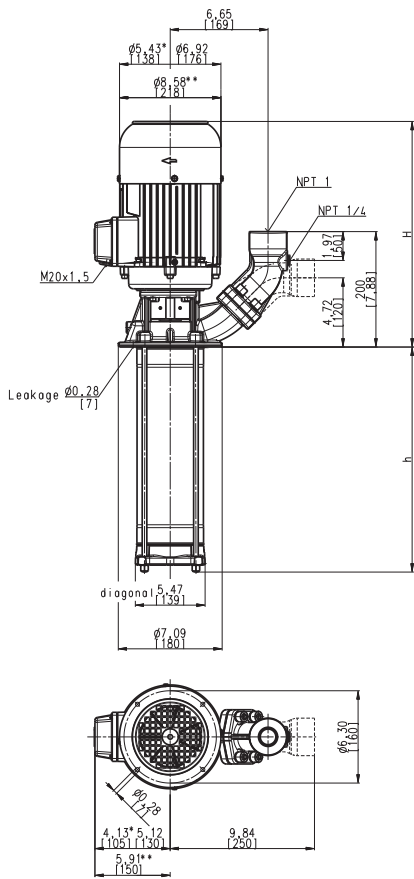
Immersion Pumps

(S)TH6

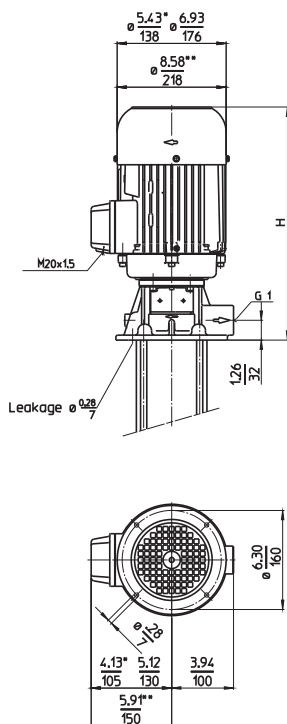
Closed impellers



STH603...624



TH603...624



Type	Flow at head	Height	Depth of im- mersion		Weight		Power HP kW	Voltage 3~ V	Fre- quen- cy Hz	Current AMPS	Speed RPM
	GPM /Feet l/min /m	H inch mm	h inch	h mm	Lbs	kg					
(S)TH603S190	20/95 80/28	13.1 332	7.48	190	37.0	16.8	1.15 0.86	230 460	60 60	3.70 1.85	3440 3440
(S)TH604S190	20/120 80/38	13.1 332	7.48	190	38.6	17.5	1.4 1.06	230 460	60 60	4.2 2.1	3440 3440
(S)TH605S240	20/150 80/48	14.1 359	9.45	240	40.8	18.5	1.7 1.27	230 460	60 60	4.8 2.4	3440 3440
(S)TH606S240	20/185 80/58	15.0 381	9.45	240	55.1	25	2.3 1.75	230 460	60 60	6.2 3.1	3470 3470
(S)TH607S290	20/220 80/68	16.0 407	11.42	290	63.9	29	2.6 1.95	230 460	60 60	7.0 3.5	3480 3480
(S)TH608S290	20/255 80/78	17.3 439	11.42	290	70.6	32	2.9 2.18	230 460	60 60	7.8 3.9	3500 3500
(S)TH609S340	20/285 80/88	17.3 439	13.39	340	77.2	35	3.4 2.55	230 460	60 60	8.8 4.4	3480 3480
(S)TH610S340	20/330 80/98	17.3 439	13.39	340	79.4	36.0	3.9 2.94	230 460	60 60	10.2 5.1	3480 3480
(S)TH611S390	20/358 80/108		15.35	390	80.7	36.6					
(S)TH612S390	20/395 80/118	17.0 432	15.35	390	105.8	48	4.6 3.45	230 460	60 60	12 6	3520 3520
(S)TH613S490	20/420 80/128	17.0 432	19.29	490	110.0	49.9	5.1 3.8	230 460	60 60	12.8 6.4	3520 3520
(S)TH614S490	20/455 80/139				110.5	50.1					
(S)TH615S490	20/490 80/149	17.0 432	19.29	490	114.2	51.8	6.1 4.55	230 460	60 60	15.8 7.9	3520 3520
(S)TH616S490	20/520 80/159				115.3	52.3					
(S)TH617S590	20/555 80/168		23.23	590	116.4	52.8					
(S)TH618S590	20/580 80/178	18.2 462	23.23	590	125.2	56.8	7.7 5.75	230 460	60 60	19.0 9.5	3520 3520
(S)TH619S590	20/615 80/188				125.5	56.9					
(S)TH620S590	20/645 80/198				125.7	57.0					
(S)TH621S690	20/675 80/206		27.17	690	126.1	57.2					
(S)TH622S690	20/705 80/214				126.3	57.3					
(S)TH623S690	20/735 80/222	18.2 462	27.17	690	134.5	61.0	8.4 6.3	230 460	60 60	20.8 10.4	3510 3510
(S)TH624S690	20/765 80/232				134.9	61.2					

Dimensions in Inches / mm
 *) Dimensions (S)TH603...605
 **) Dimensions (S)TH612...624



Immersion Pumps

series TH and FH use closed impellers in order to minimize power consumption and to optimize hydraulic pump efficiencies.

In addition, the TH series offers high pressures at short immersion depths. Inline pumps of the series FH can be used as boosting pumps if provided with positive inlet pressure. This inlet pressure can be provided by the central coolant supply or a feed pump. In such a setup, pumps of the series FH can raise the incoming pressure by up to 375 PSI (26 bar).

Longer pump lengths and threaded inlets are available upon request.

Please see medium pressure pumps features in the Technical Information section of this catalog or call 248-926-9400 for details.

Applications

- Types of fluid
 - Industry water
 - coolants
 - cooling/cutting oils
- Kinematic viscosity
 - 4.6 SSU (1 mm²/s)
 - higher viscosity upon request
- Pumping temperature
 - 30...175 °F (0...80 °C)

Construction

Pump body	cast iron
Cover	cast iron
Impellers	CrNi-steel
Shaft	CrNi-steel
Diffusers	CrNi-steel
Mechanical seal	SiC
O-rings	Viton®
Optional:	
Pump body	bronze
	CrNi-steel
Cover	bronze
	CrNi-steel
Threaded inlet	G 1
Noise level (Motor only; Tolerance +3 dBA)	
(S)TH603...(S)TH605	61 dBA
(S)TH606...(S)TH611	66 dBA
(S)TH612...(S)TH624	75 dBA



Available Extended imm. depths:
790 mm (31.10"), 890 mm (35.04")

