

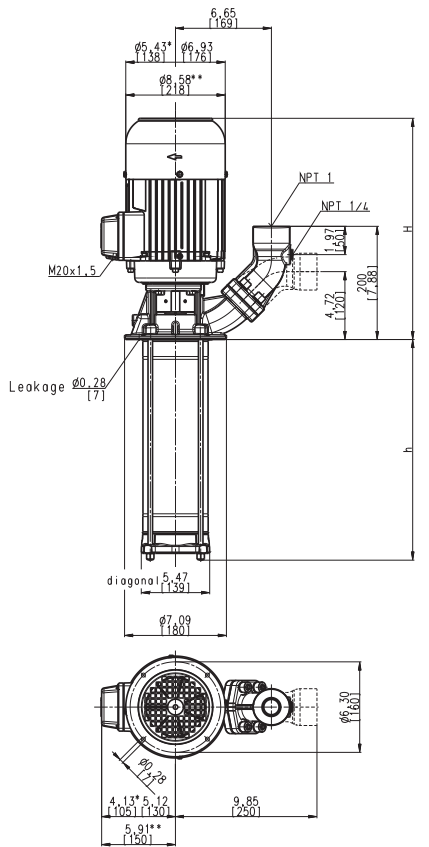
# Immersion Pumps

## (S)TH4

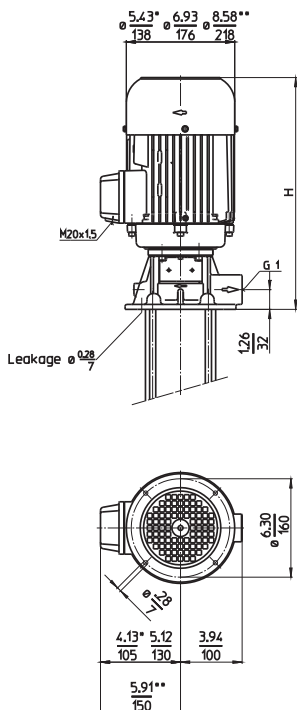
### Closed impellers



#### STH403...424



#### TH403...424



Type	Flow at head	Height	Depth of im- mersion		Weight		Power HP kW	Voltage 3~ V	Fre- quen- cy Hz	Current Speed	
	GPM /Feet l/min /m	H inch mm	h inch	h mm	Lbs	kg				AMPS	RPM
(S)TH403S190	10/90	11.5	7.48	190	34.0	15.4	0.75	208-230	60	2.38	3405
	40/29	291					0.55	460	60	1.14	3405
(S)TH404S190	10/130	13.1	7.48	190	36.8	16.7	1	208-230	60	3.02	3425
	40/39	332					0.725	460	60	1.46	3425
(S)TH405S190	10/170	13.1	7.48	190	37.9	17.2	1.15	230	60	3.70	3440
	40/49	332					0.86	460	60	1.85	3440
(S)TH406S190	10/195	13.1	7.48	190	40.1	18.2	1.4	230	60	4.2	3440
	40/58	332					1.06	460	60	2.1	3440
(S)TH407S290	10/230	14.1	11.42	290	42.8	19.4	1.7	230	60	4.8	3440
	40/68	359					1.27	460	60	2.4	3440
(S)TH408S290	10/260				43.0	19.5					
(S)TH409S290	10/285	15.0	11.42	290	59.5	27	2	230	60	5.4	3500
	40/88	381					1.49	460	60	2.7	3500
(S)TH410S290	10/330	15.0	11.42	290	60.0	27.2	2.3	230	60	6.2	3470
	40/100	381					1.75	460	60	3.1	3470
(S)TH411S290	10/360	16.0	11.42	290	64.8	29.4	2.6	230	60	7.0	3480
	40/110	407					1.95	460	60	3.5	3480
(S)TH412S390	10/395		15.35	390	66.2	30.0					
(S)TH413S390	10/425	17.3	15.35	390	77.2	35	2.9	230	60	7.8	3500
	40/129	439					2.18	460	60	3.9	3500
(S)TH414S390	10/465	17.3	15.35	390	78.3	35.5	3.4	230	60	8.8	3480
	40/139	439					2.55	460	60	4.4	3480
(S)TH415S390	10/505				78.5	35.6					
(S)TH416S390	10/530	17.3	15.35	390	79.4	36.0	3.9	230	60	10.2	3480
	40/159	439					2.94	460	60	5.1	3480
(S)TH417S490	10/565		19.29	490	79.6	36.1					
(S)TH418S490	10/595				79.8	36.2					
(S)TH419S490	10/635	17.0	19.29	490	105.6	47.9	5.1	230	60	12.8	3520
	40/192	432					3.8	460	60	6.4	3520
(S)TH420S490	10/670				105.8	48.0					
(S)TH421S490	10/705				106.1	48.1					
	40/214										
(S)TH422S590	10/735		23.23	590	106.5	48.3					
	40/224										
(S)TH423S590	10/770	17.0	23.23	590	109.1	49.5	6.1	230	60	15.8	3520
	40/233	432					4.55	460	60	7.9	3520
(S)TH424S590	10/800				109.6	49.7					
	40/242										

Dimensions in Inches / mm  
 \*) Dimensions (S)TH403...408  
 \*\*) Dimensions (S)TH419...424



**Immersion Pumps**

series TH and FH use closed impellers in order to minimize power consumption and to optimize hydraulic pump efficiencies.

In addition, the TH series offers high pressures at short immersion depths. Inline pumps of the series FH can be used as boosting pumps if provided with positive inlet pressure. This inlet pressure can be provided by the central coolant supply or a feed pump. In such a setup, pumps of the series FH can raise the incoming pressure by up to 375 PSI (26 bar).

**Longer pump lengths and threaded inlets** are available upon request.

Please see medium pressure pumps features in the Technical Information section of this catalog or call 248-926-9400 for details.

**Applications**

- Types of fluid
  - Industry water
  - coolants
  - cooling/cutting oils
- Kinematic viscosity
  - 4.6 SSU (1 mm<sup>2</sup>/s)
  - higher viscosity upon request
- Pumping temperature
  - 30...175 °F (0...80 °C)

**Construction**

Pump body	cast iron
Cover	cast iron
Impellers	CrNi-steel
Shaft	CrNi-steel
Diffusers	CrNi-steel
Mechanical seal	SiC
O-rings	Viton®
Optional:	
Pump body	bronze
	CrNi-steel
Cover	bronze
	CrNi-steel
Threaded inlet	G 1
Noise level (Motor only; Tolerance +3 dBA)	
(S)TH403...(S)TH408	61 dBA
(S)TH409...(S)TH418	66 dBA
(S)TH419...(S)TH424	75 dBA



Available extended imm. depths: 690 mm (27.17"), 790 mm (31.10")

