

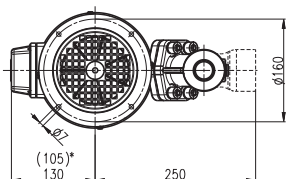
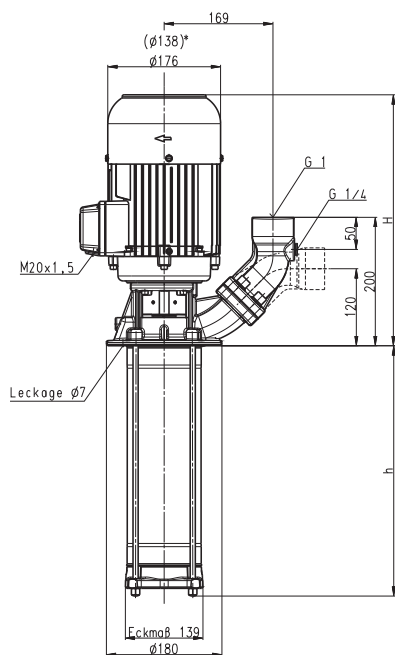
Immersion Pumps

(S)TH2

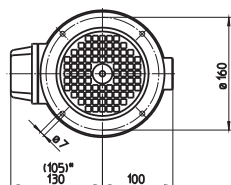
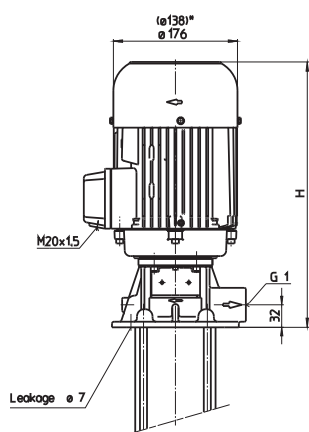
Closed impellers



STH203...231



TH203...231



*) Dimensions for (S)TH203...(S)TH215

Type	Vol. del. at manom. del. head l/min / m	Height H mm	Depth of immersion h mm	Weight kg	Power kW	Voltage 3~ V	Fre- quen- cy Hz	Current A	Speed 1/min
(S)TH203B190	20/25	291	190	14.9	0.55	460	60	1.14	3405
(S)TH204B190	20/30			15.0					
(S)TH205B190	20/40			15.1					
(S)TH206B190	20/50			15.2					
(S)TH207B290	20/57	332	290	18.6	0.725	460	60	1.46	3425
(S)TH208B290	20/64			18.7					
(S)TH209B290	20/74	332	290	19.2	0.86	460	60	1.85	3440
(S)TH210B290	20/81	332	290	20.1	0.98	460	60	2	3450
(S)TH211B290	20/90	332	290	20.3	1.06	460	60	2.1	3440
(S)TH212B390	20/98		390	20.4					
(S)TH213B390	20/106			20.5					
(S)TH214B390	20/113	359	390	21.7	1.27	460	60	2.4	3440
(S)TH215B390	20/119			21.8					
(S)TH216B390	20/127	381	390	28	1.49	460	60	2.7	3500
(S)TH217B490	20/136	381	490	30.2	1.75	460	60	3.1	3470
(S)TH218B490	20/146			30.3					
(S)TH219B490	20/156			30.4					
(S)TH220B490	20/164	407	490	32.5	1.95	460	60	3.5	3480
(S)TH221B490	20/172			32.6					
(S)TH222B590	20/182	439	590	37.4	2.18	460	60	3.9	3500
(S)TH223B590	20/191			37.5					
(S)TH224B590	20/200	439	590	38.2	2.55	460	60	4.4	3480
(S)TH225B590	20/208			38.4					
(S)TH226B590	20/216			38.5					
(S)TH227B690	20/224		690	39.1					
(S)TH228B690	20/231	439	690	40.2	2.94	460	60	5.1	3480
(S)TH229B690	20/238			40.3					
(S)TH230B690	20/245			40.4					
(S)TH231B690	20/252			40.5					

Immersion Pumps

series TH and FH use **closed impellers** in order to minimize power consumption and to optimize hydraulic pump efficiencies.

In addition, the TH series offers high pressures at short immersion depths. Inline pumps of the series FH can be used as **boosting pumps** if provided with positive inlet pressure. This inlet pressure can be provided by the central coolant supply or a feed pump. In such a setup, pumps of the series FH can raise the incoming pressure by up to 26 bar.

Extended length is possible. See medium pressure pumps features within the technical information section.

Applications

- Types of fluid
 - Industry water
 - coolants
 - cooling/cutting oils
- Kinematic viscosity
 - 1 mm²/s (1 cSt)
 - higher viscosity upon request
- Pumping temperature
 - 0...80° C

Construction

Pump body	cast iron
Cover	cast iron
Impellers	CrNi-steel
Shaft	CrNi-steel
Diffusers	CrNi-steel
Mechanical seal	SiC
O-rings	Viton
Optional:	
Pump body	bronze
Cover	bronze
	CrNi-steel
Noise level	
(S)TH203...(S)TH215	61 dBA
(S)TH216...(S)TH231	66 dBA

