

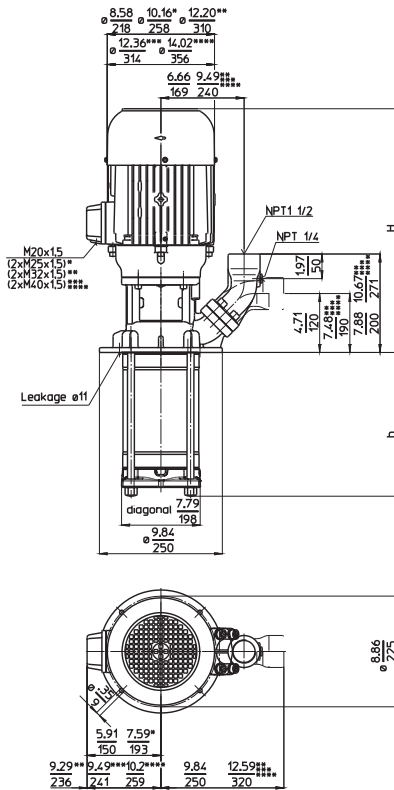
Immersion Pumps

(S)TH17

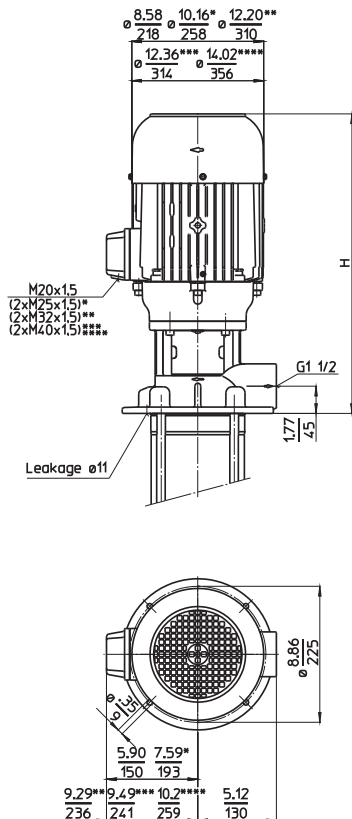
Closed impellers



STH1702...1711



TH1702...1711



Type	Flow at head	Height	Depth of im- mersion		Weight		Power	Voltage	Fre- quen- cy	Current	Speed
	GPM /Feet l/min /m	H inch mm	h inch	h mm	Lbs	kg	HP kW	V	Hz	AMPS	RPM
(S)TH1702S180	75/120	20.9	7.17	182	121.3	55	5.1	230	60	12.8	3520
	300/37	531					3.8	460	60	6.4	3520
(S)TH1703S280	75/180	22.1	10.94	278	132.3	60	7.7	230	60	19.0	3520
	300/58	561					5.75	460	60	9.5	3520
(S)TH1704S280	75/260	25.2	10.94	278	190	86	11.5	230	60	27.8	3550
	300/80	640					8.6	460	60	13.9	3550
(S)TH1705S380	75/330	25.2	14.72	374	254	115	13.8	230	60	31.6	3550
	300/99	640					10.3	460	60	15.8	3550
(S)TH1706S380	75/410	25.5	14.72	374	260	118	16.9	230	60	39.2	3560
	300/118	647					12.6	460	60	19.6	3560
(S)TH1707S470	75/470	25.5	18.50	470	269	122	20.1	230	60	48.2	3560
	300/140	647					15.0	460	60	24.1	3560
(S)TH1708S470	75/530				271	123					
(S)TH1709S570	75/600	39.8	22.28	566	326	148	25	460	60	28	3560
	300/180	1012					18.5				
(S)TH1710S570	75/660	40.8	22.28	566	353	160	30	460	60	34	3560
	300/200	1037					22.0				
(S)TH1711S660	75/730		26.06	662	355	161					
	300/219										

Dimensions in Inches / mm
 *) Dimensions for (S)TH1704...1705
 **) Dimensions for (S)TH1706...1708
 ***) Dimensions for (S)TH1709
 ****) Dimensions for (S)TH1710...1711



Immersion Pumps

series TH and FH use closed impellers in order to minimize power consumption and to optimize hydraulic pump efficiencies.

In addition, the TH series offers high pressures at short immersion depths. Inline pumps of the series FH can be used as boosting pumps if provided with positive inlet pressure. This inlet pressure can be provided by the central coolant supply or a feed pump. In such a setup, pumps of the series FH can raise the incoming pressure by up to 375 PSI (26 bar).

Longer pump lengths and threaded inlets are available upon request.

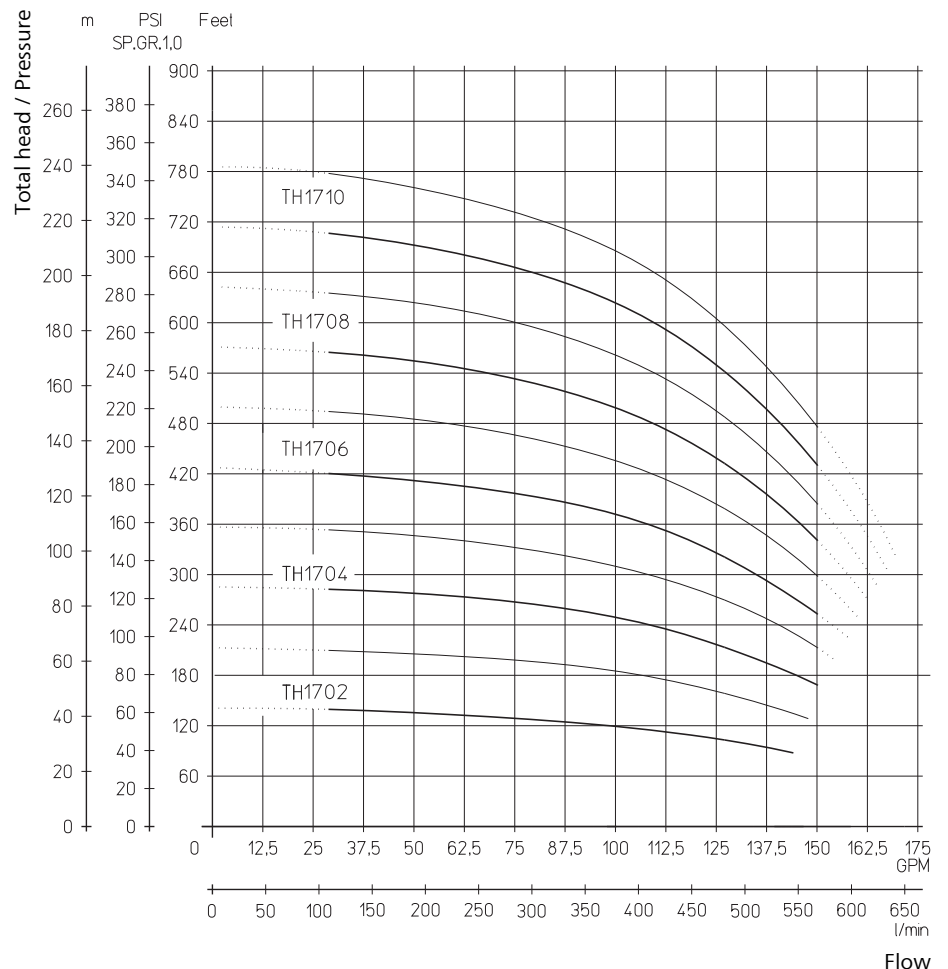
Please see medium pressure pumps features in the Technical Information section of this catalog or call 248-926-9400 for de-

Applications

- Types of fluid
 - Industry water
 - coolants
 - cooling/cutting oils
- Kinematic viscosity
 - ...115 SSU (...25 mm²/s)
- Pumping temperature
 - 30...175 °F (0...80 °C)

Construction

Pump body	cast iron
Cover	cast iron
Impellers	CrNi-steel
Shaft	CrNi-steel
Diffusers	CrNi-steel
Mechanical seal	SiC
O-rings	Viton®
Optional:	
Pump body	CrNi-steel
Cover	CrNi-steel
Threaded inlet	G 2
Noise level (Motor only; Tolerance +3 dBA)	
(S)TH1702...(S)TH1703	74 dBA
(S)TH1704...(S)TH1705	77 dBA
(S)TH1706...(S)TH1708	79 dBA
(S)TH1709	81 dBA
(S)TH1710...(S)TH1711	84 dBA



Available Extended imm. depths:
760 mm (29.92"), 900 mm (35.43")