

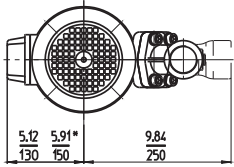
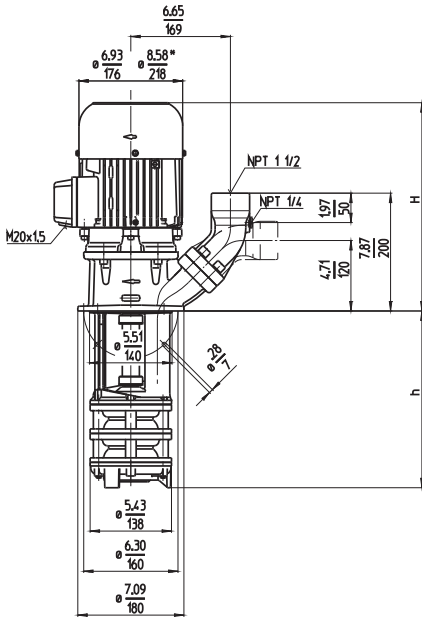
Immersion Pumps

STA212...433

Semi-open impellers



STA212...433



Dimensions in Inches / mm
*) Dimensions STA432, STA433

Type	Flow at head		Height		Depth of immersion		Weight		Power HP kW	Voltage 3~ V	Fre- quen- cy Hz	Current Speed	
	GPM /Feet l/min /m	H inch mm	h inch mm	h mm	Lbs	kg	AMPS	RPM					
STA212S170	40/69	15.0	6.69	170	68.4	31.0	2.3	230	60	6.2	3470		
		160/20	380				1.75	460	60	3.1	3470		
	250			9.84	250	71.7	32.5						
	320			12.60	320	73.9	33.5						
	400			15.75	400	76.1	34.5						
	490			19.29	490	78.3	35.5						
600			23.62	600	81.6	37.0							
STA213S220	40/102	17.3	8.66	220	88.2	40	3.4	230	60	8.8	3480		
		160/30	439				2.55	460	60	4.4	3480		
	300			11.81	300	90.4	41						
	370			14.57	370	92.6	42						
	450			17.72	450	94.8	43						
	540			21.26	540	97.0	44						
	650			25.59	650	101.4	46						
	850			33.46	850	114.7	52						
1000			39.37	1000	121.3	55							
STA322S170	60/70	17.3	6.69	170	81.6	37	2.9	230	60	7.8	3500		
		250/20	439				2.18	460	60	3.9	3500		
	250			9.84	250	83.8	38						
	320			12.60	320	86.0	39						
	400			15.75	400	88.2	40						
	490			19.29	490	92.6	42						
	600			23.62	600	94.8	43						
	800			31.50	800	110.2	50						
950			37.40	950	114.7	52							
STA323S220	60/105	17.3	8.66	220	90.4	41	3.9	230	60	10.2	3480		
		250/30	439				2.94	460	60	5.1	3480		
	300			11.81	300	92.6	42						
	370			14.57	370	94.8	43						
	450			17.72	450	97.0	44						
	540			21.26	540	99.2	45						
	650			25.59	650	103.6	47						
	850			33.46	850	116.9	53						
1000			39.37	1000	123.5	56							
STA432S200	100/72	18.8	7.68	195	110.2	50	5.1	230	60	12.8	3520		
		400/22	478				3.8	460	60	6.4	3520		
	280			10.83	275	112.5	51						
	350			13.58	345	114.7	52						
	430			16.73	425	116.9	53						
	520			20.28	515	121.3	55						
	630			24.61	625	123.5	56						
	830			32.48	825	136.7	62						
1000			39.17	995	141.1	64							
STA433S260	100/107	20.0	10.24	260	130.1	59	7.7	230	60	19.0	3520		
		400/32	508				5.75	460	60	9.5	3520		
	340			13.39	340	132.3	60						
	410			16.14	410	136.7	62						
	490			19.29	490	138.9	63						
	580			22.83	580	141.1	64						
	690			27.17	690	143.3	65						
	890			35.04	890	158.8	72						
1040			40.94	1040	163	74							



Immersion Pumps

are centrifugal pumps with the impeller fitted on the driving shaft extension. They are mounted on top of the container, the pump extension being immersed in the coolant.

The maximum coolant level must stay a few inches below the mounting flange.

The delivery capacities shown in the tables apply to water at 4.6 SSU (1 mm²/s) and 68°F (20°C).

For the delivery of oils, the values will decrease due to higher viscosities which result in an increased pipe resistance.

The STA pumps are equipped with the user-friendly 45 degree (SAE) flange connection which allows for either vertical or horizontal pipe connection and the connection of a pressure gauge.

Applications

- Types of fluid
 - coolants
 - cooling/cutting oils
- Kinematic viscosity
 - ...200 SSU (...45 mm²/s)
- Pumping temperature
 - 30...175 °F (0...80 °C)
 - higher temperatures upon request

Construction

- | | |
|--|--|
| Pump body | cast iron |
| Cover | cast iron |
| Impellers | brass |
| Shaft | steel |
| Optional: | |
| Suction cover | with threaded G 1 ½ inlet (STA212...STA213)
with threaded G 2 inlet (STA322...STA433) |
| Impellers | cast steel |
| Other materials | on request |
| Noise level (Motor only; Tolerance +3 dBA) | |
| STA212...STA323 | 69 dBA |
| STA432...STA433 | 73 dBA |

