

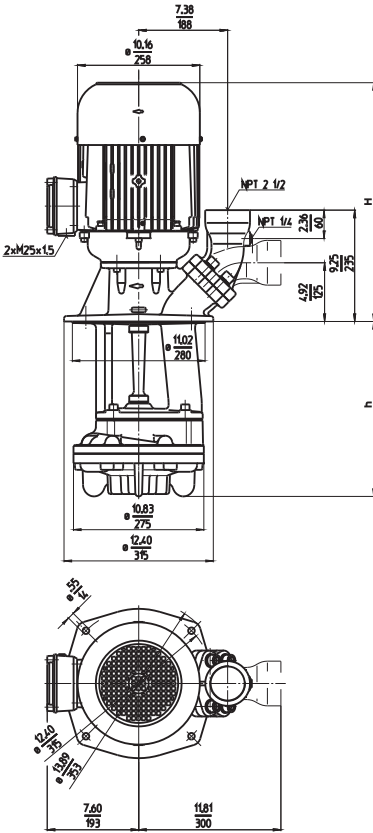
Quick Suctioning Immersion Pumps

SGL1400...2200

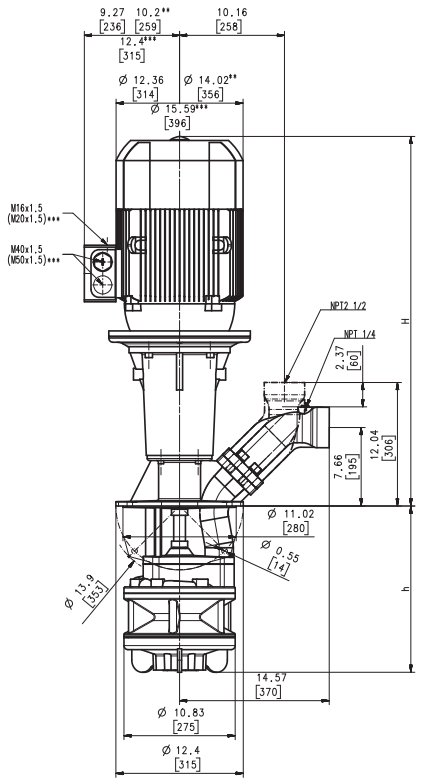
Axial/semi-open impellers



SGL1400



SGL1700...2200



| Type | Flow at head | Height | Depth of immersion | | Weight | | Power HP kW | Voltage 3~ V | Fre- quen- cy Hz | Current AMPS | Speed RPM |
|-------------|-----------------------|--------------|--------------------|------|--------|-----|-------------------|--------------------|---------------------------|-----------------|--------------|
| | GPM /Feet l/min /m | H inch mm | h inch | h mm | Lbs | kg | | | | | |
| SGL1400S310 | 300/65 | 24.1 | 12.20 | 310 | 295 | 134 | 13.8 | 230 | 60 | 31.6 | 3550 |
| | 1200/18 | 612 | | | | | 10.3 | 460 | 60 | 15.8 | 3550 |
| | 440 | | 17.32 | 440 | 300 | 136 | | | | | |
| | 560 | | 22.05 | 560 | 315 | 143 | | | | | |
| | 810 | | 31.89 | 810 | 353 | 160 | | | | | |
| 1060 | | 41.73 | 1060 | 375 | 170 | | | | | | |
| SGL1700S310 | 350/75 | 24.4 | 12.20 | 310 | 348 | 158 | 20.1 | 230 | 60 | 48.2 | 3560 |
| | 1500/19 | 620 | | | | | 15.0 | 460 | 60 | 24.1 | 3560 |
| | 440 | | 17.32 | 440 | 353 | 160 | | | | | |
| | 560 | | 22.05 | 560 | 368 | 167 | | | | | |
| | 810 | | 31.89 | 810 | 406 | 184 | | | | | |
| 1060 | | 41.73 | 1060 | 419 | 190 | | | | | | |
| SGL1402S420 | 300/130 | 38.3 | 16.54 | 420 | 507 | 230 | 25 | 460 | 60 | 28 | 3560 |
| | 1200/35 | 974 | | | | | 18.5 | | | | |
| | 550 | | 21.65 | 550 | 520 | 236 | | | | | |
| | 670 | | 26.38 | 670 | 529 | 240 | | | | | |
| | 920 | | 36.22 | 920 | 545 | 247 | | | | | |
| 1170 | | 46.06 | 1170 | 553 | 251 | | | | | | |
| SGL1702S420 | 350/170 | 40.6 | 16.54 | 420 | 551 | 250 | 40 | 460 | 60 | 47 | 3560 |
| | 1500/45 | 1032 | | | | | 30.0 | | | | |
| | 550 | | 21.65 | 550 | 564 | 256 | | | | | |
| | 670 | | 26.38 | 670 | 573 | 260 | | | | | |
| | 920 | | 36.22 | 920 | 589 | 267 | | | | | |
| 1170 | | 46.06 | 1170 | 598 | 271 | | | | | | |
| SGL2200S340 | 450/90 | 39.7 | 13.39 | 340 | 443 | 201 | 30 | 460 | 60 | 34 | 3560 |
| | 1800/26 | 1009 | | | | | 22.0 | | | | |
| | 470 | | 18.50 | 470 | 454 | 206 | | | | | |
| | 590 | | 23.23 | 590 | 465 | 211 | | | | | |
| | 840 | | 33.07 | 840 | 503 | 228 | | | | | |
| 1090 | | 42.91 | 1090 | 509 | 231 | | | | | | |

Dimensions in Inches / mm
Discharge port with NPT 2 inches available upon request.

*) Dimensions SGL2200
**) Dimensions SGL1702

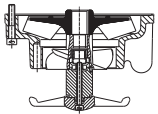


Quick Suctioning Immersion Pumps

of series SGL are equipped with the patented "BRINKMANN's Suction De-aeration System" and are excellently suited for pumping **extremely air entrained fluids** (grinding oils) as they occur in high-speed grinding.

The quick suctioning immersion pumps reach stable working conditions as soon as the liquid level reaches the suction inlet.

The SGL pumps are equipped with the user-friendly 45 degree **flange** connection which allows for either vertical or horizontal pipe connection and the connection of a pressure gauge.



The pumps SGL1400 and SGL2200 are available (upon request) with an additional agitator at the pump suction for breaking up and separating large bundles of chips or birds nests.



Applications

- Types of fluid
 - coolants
 - cooling/cutting oils
 - grinding oils
- Kinematic viscosity
 - ...200 SSU (...45 mm²/s)
- Pumping temperature
 - 30...175 °F (0...80 °C)

Construction

| | |
|-----------------|------------|
| Pump body | cast iron |
| Cover | cast iron |
| Impeller axial | cast steel |
| Impeller radial | cast steel |
| Shaft | steel |

