

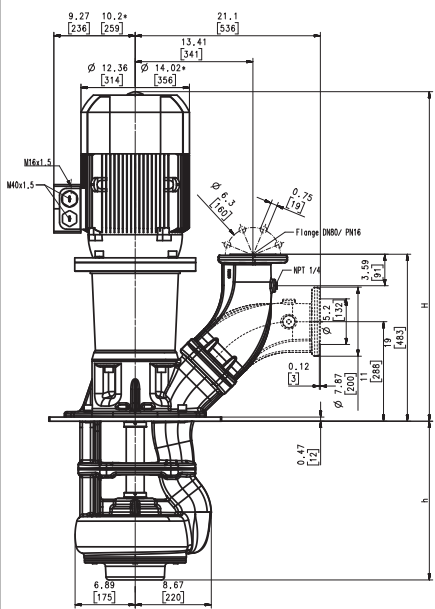
Vortex Pumps

SFT2254...3554

Semi-open impellers



SFT2254...3554



Dimensions in Inches / mm
*) Dimensions SFT3554

Type	Flow at head	Height	Depth of im- mersion		Weight		Power (4-pole) 3~ HP kW	Voltage V	Fre- quen- cy Hz	Current AMPS	Speed RPM
	GPM /Feet l/min /m	H inch mm	h inch	h mm	Lbs	kg					
SFT2254S460	300/42	37.5	18.11	460	481	218	15 11.0	460	60	18	1775
	1125/13	953									
	660		25.98	660	503	228					
	860		33.86	860	525	238					
	1210		47.64	1210	646	293					
1610		63.39	1610	690	313						
SFT3054S460	450/42	39.9	18.11	460	520	236	20 15.0	460	60	25	1780
	1700/13	1013									
	660		25.98	660	542	246					
	860		33.86	860	564	256					
	1210		47.64	1210	686	311					
1610		63.39	1610	730	331						
SFT3554S460	550/42	41.3	18.11	460	589	267	25 18.5	460	60	30.5	1775
	2100/13	1048									
	660		25.98	660	611	277					
	860		33.86	860	633	287					
	1210		47.64	1210	754	342					
1610		63.39	1610	798	362						



Vortex Pumps

series SFT are provided to lift coolant for filtering. Coarse shreds can be transported together with liquids.

The pump inlet and pump discharge port have the same dimensions.

Half speed.

The SFT pumps are equipped with the user-friendly 45 degree flange connection which allows for either vertical or horizontal pipe connection and the connection of a pressure gauge.

Applications

- Types of fluid
 - coolants
 - cooling/cutting oils
- Max. chip to coolant ratio by weight: 1.5 %
- Chip material: Aluminium, steel, coloured steels
- Chip geometry:
 - Flow chips up until 3.15 inch (80 mm) long
 - The max. ball diameter is 1.77 inch (45 mm)
- Kinematic viscosity ...66 SSU (...12 mm²/s)
- Pumping temperature 30...140 °F (0...60 °C)

Construction

Pump body	cast iron
Cover	cast iron
Impeller	cast steel
Shaft	steel
Optional: Impeller	CrMo-steel

