

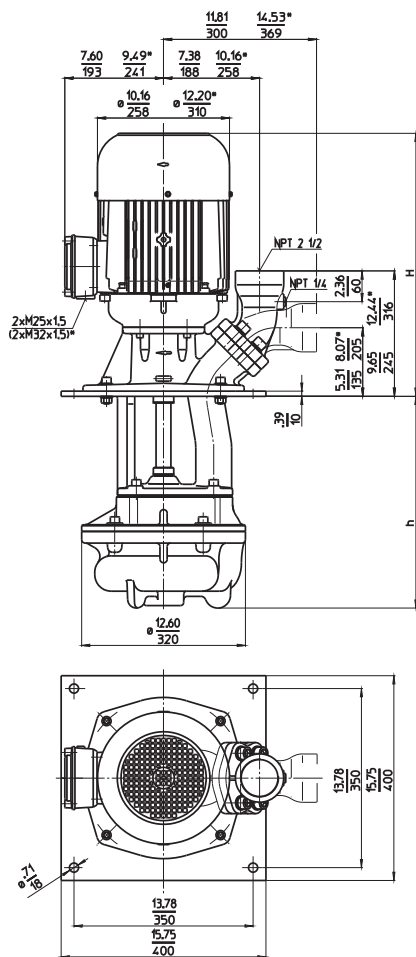
# Vortex Pumps

## SFT1300...1400

Semi-open impellers



### SFT1300, 1350 SFT1400



Dimensions in Inches / mm  
\*) Dimensions SFT1400

Type	Flow at head	Height	Depth of im- mersion		Weight		Power HP kW	Voltage 3~ V	Fre- quen- cy Hz	Current AMPS	Speed RPM
	GPM /Feet l/min /m	H inch mm	h inch	h mm	Lbs	kg					
<b>SFT1300S360</b>	200/36	22.6	14.29	363	342	155	10	230	60	23.0	3545
	800/10	574					7.48	460	60	11.5	3545
	<b>490</b>			19.41	493	353	160				
<b>610</b>			24.13	613	362	164					
<b>SFT1350S360</b>	200/50	24.1	14.29	363	366	166	13.8	230	60	31.6	3550
	800/15	612					10.3	460	60	15.8	3550
	<b>490</b>			19.41	493	377	171				
<b>610</b>			24.13	613	386	175					
<b>SFT1400S360</b>	200/65	24.4	14.29	363	419	190	16.9	230	60	39.2	3560
	800/19	620					12.6	460	60	19.6	3560
	<b>490</b>			19.41	493	430	195				
<b>610</b>			24.13	613	439	199					



**Vortex Pumps**

series SFT are designed to lift coolant for filtering. Coarse shreds can be transported together with liquids.

**The pump inlet and pump discharge port have the same dimensions.**

The SFT pumps are equipped with the user-friendly 45 degree flange connection which allows for either vertical or horizontal pipe connection and the connection of a pressure gauge.

**Applications**

- Types of fluid
  - coolants
  - cooling/cutting oils
- Max. chip to coolant ratio by weight: 1.5 %
- Chip material: Aluminium, steel, coloured steels
- Chip geometry:
  - Flow chips up until 3.15 inch (80 mm) long
- Kinematic viscosity
  - ...140 SSU (...30 mm<sup>2</sup>/s)
  - higher viscosity upon request
- Pumping temperature
  - 30...140 °F (0...60 °C)

**Construction**

Pump body	cast iron
Cover	special cast iron
Impeller	cast steel
Shaft	steel

