

# Quick Suctioning Immersion Pumps

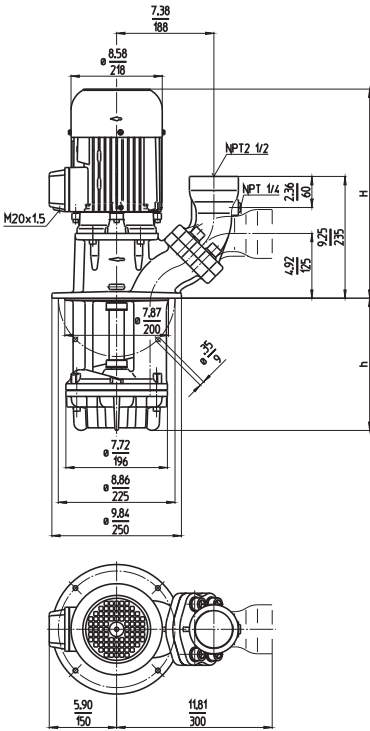


## SFL860...2060

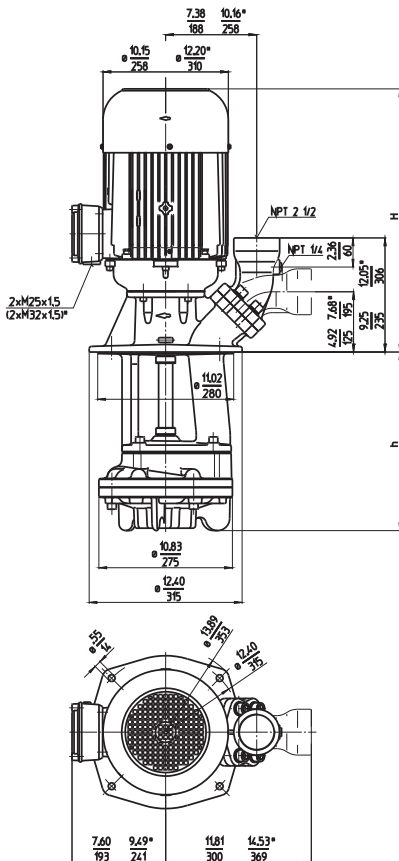


Axial/semi-open impellers

### SFL860



### SFL1360...2060



| Type               | Flow at head          | Height       | Depth of im-<br>mersion |      | Weight |     | Power<br>HP<br>kW | Voltage<br>3~<br>V | Fre-<br>quen-<br>cy<br>Hz | Current<br>AMPS | Speed<br>RPM |
|--------------------|-----------------------|--------------|-------------------------|------|--------|-----|-------------------|--------------------|---------------------------|-----------------|--------------|
|                    | GPM /Feet<br>l/min /m | H inch<br>mm | h inch                  | h mm | Lbs    | kg  |                   |                    |                           |                 |              |
| <b>SFL860S230</b>  | 150/60                | 19.8         | 9.06                    | 230  | 141.1  | 64  | 6.1               | 230                | 60                        | 15.8            | 3520         |
|                    | 600/17                | 503          |                         |      |        |     | 4.55              | 460                | 60                        | 7.9             | 3520         |
|                    | 330                   |              | 12.99                   | 330  | 147.7  | 67  |                   |                    |                           |                 |              |
|                    | 460                   |              | 18.11                   | 460  | 154.4  | 70  |                   |                    |                           |                 |              |
|                    | 580                   |              | 22.83                   | 580  | 170    | 77  |                   |                    |                           |                 |              |
|                    | 780                   |              | 30.71                   | 780  | 192    | 87  |                   |                    |                           |                 |              |
| 1010               |                       | 39.76        | 1010                    | 198  | 90     |     |                   |                    |                           |                 |              |
| <b>SFL1360S310</b> | 200/72                | 22.6         | 12.20                   | 310  | 258    | 117 | 10                | 230                | 60                        | 23.0            | 3545         |
|                    | 800/21                | 574          |                         |      |        |     | 7.48              | 460                | 60                        | 11.5            | 3545         |
|                    | 440                   |              | 17.32                   | 440  | 267    | 121 |                   |                    |                           |                 |              |
|                    | 560                   |              | 22.05                   | 560  | 282    | 128 |                   |                    |                           |                 |              |
|                    | 810                   |              | 31.89                   | 810  | 318    | 144 |                   |                    |                           |                 |              |
|                    | 1060                  |              | 41.73                   | 1060 | 337    | 153 |                   |                    |                           |                 |              |
| <b>SFL1860S310</b> | 300/77                | 24.4         | 12.20                   | 310  | 320    | 145 | 16.9              | 230                | 60                        | 39.2            | 3560         |
|                    | 1200/22               | 620          |                         |      |        |     | 12.6              | 460                | 60                        | 19.6            | 3560         |
|                    | 440                   |              | 17.32                   | 440  | 326    | 148 |                   |                    |                           |                 |              |
|                    | 560                   |              | 22.05                   | 560  | 331    | 150 |                   |                    |                           |                 |              |
|                    | 810                   |              | 31.89                   | 810  | 370    | 168 |                   |                    |                           |                 |              |
|                    | 1060                  |              | 41.73                   | 1060 | 379    | 172 |                   |                    |                           |                 |              |
| <b>SFL2060S310</b> | 400/76                | 38.3         | 12.20                   | 310  | 410    | 186 | 25                | 460                | 60                        | 28              | 3560         |
|                    | 1500/23               | 974          |                         |      |        |     | 18.5              |                    |                           |                 |              |
|                    | 440                   |              | 17.32                   | 440  | 421    | 191 |                   |                    |                           |                 |              |
|                    | 560                   |              | 22.05                   | 560  | 434    | 197 |                   |                    |                           |                 |              |
|                    | 810                   |              | 31.89                   | 810  | 467    | 212 |                   |                    |                           |                 |              |
|                    | 1060                  |              | 41.73                   | 1060 | 487    | 221 |                   |                    |                           |                 |              |

Dimensions in Inches / mm  
 Discharge port with NPT 2 inches available upon request  
 \*) Dimensions SFL1860  
 Dimensions SFL2060 above the flange as with SGL1402

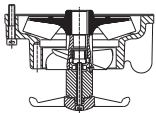


### Quick Suctioning Immersion Pumps

of series SFL equipped with the patented "BRINKMANN's Suction De-aeration System" and are excellently suited for pumping **extremely air entrained fluids** (emulsions) **with heavy chip loads** as they occur in heavy cutting when turning, milling or grinding.

The quick suctioning immersion pumps reach stable working conditions as soon as the liquid level reaches the suction inlet.

The SFL pumps are equipped with the user-friendly 45 degree **flange** connection which allows for either vertical or horizontal pipe connection and the connection of a pressure gauge.



These pumps are available (upon request) with an additional agitator at the pump suction for breaking up and separating large bundles of chips.



### Applications

- Types of fluid
  - coolants
  - cooling/cutting oils
- Max. chip to coolant ratio by weight: 1.0 %
- Chip material: Aluminium, steel, coloured steels
- Kinematic viscosity ...200 SSU (...45 mm<sup>2</sup>/s)
- Pumping temperature 30...175 °F (0...80 °C)

### Construction

|                 |                                  |
|-----------------|----------------------------------|
| Pump body       | cast iron                        |
| Cover           | cast iron                        |
| Impeller axial  | cast steel                       |
| Impeller radial | cast steel                       |
| Shaft           | steel                            |
| Optional:       |                                  |
| Pump unit       | with wear resistant wetted parts |
| Execution CM1   |                                  |
| Impeller radial | CrMo-steel                       |
| Execution CM3   |                                  |
| Cover           | CrMo-steel                       |
| Impeller axial  | CrMo-steel                       |
| Impeller radial | CrMo-steel                       |

