

# Quick Suctioning Immersion Pumps

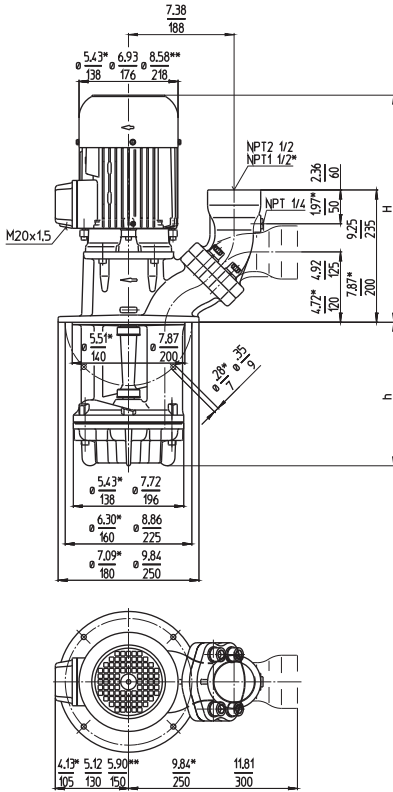


## SFL550...2350

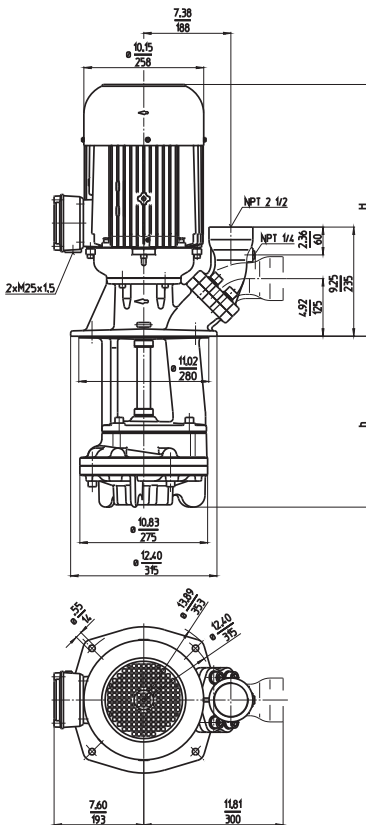
Axial/semi-open impellers



### SFL550...1150



### SFL1550...2350



Type	Flow at head	Height	Depth of immersion		Weight		Power HP kW	Voltage 3~ V	Fre- quen- cy Hz	Current Speed	
	GPM /Feet l/min /m	H inch mm	h inch	h mm	Lbs	kg				AMPS	RPM
SFL550S150	50/18	13.1	5.91	150	50.7	23	1.4	230	60	4.2	3440
	200/5	334					1.06	460	60	2.1	3440
	230		9.06	230	52.9	24					
	300		11.81	300	55.1	25					
	380		14.96	380	59.5	27					
	470		18.50	470	61.7	28					
SFL650S220	100/30	18.3	8.66	220	112.5	51	3.4	230	60	8.8	3480
	400/9	464					2.55	460	60	4.4	3480
	320		12.60	320	119.1	54					
	450		17.72	450	125.7	57					
	570		22.44	570	136.7	62					
	770		30.31	770	161.0	73					
SFL850S230	125/42	18.3	9.06	230	114.7	52	3.9	230	60	10.2	3480
	500/13	464					2.94	460	60	5.1	3480
	330		12.99	330	121.3	55					
	460		18.11	460	127.9	58					
	580		22.83	580	143.3	65					
	780		30.71	780	165	75					
SFL1150S230	150/52	19.8	9.06	230	136.7	62	6.1	230	60	15.8	3520
	600/16	503					4.55	460	60	7.9	3520
	330		12.99	330	145.5	66					
	460		18.11	460	161.0	73					
	580		22.83	580	168	76					
	780		30.71	780	187	85					
SFL1550S310	230/58	24.1	12.20	310	280	127	11.5	230	60	27.8	3550
	900/17	612					8.6	460	60	13.9	3550
	440		17.32	440	291	132					
	560		22.05	560	298	135					
	810		31.89	810	340	154					
	1060		41.73	1060	359	163					
SFL1850S310	300/68	24.1	12.20	310	295	134	13.8	230	60	31.6	3550
	1150/20	612					10.3	460	60	15.8	3550
	440		17.32	440	304	138					
	560		22.05	560	313	142					
	810		31.89	810	355	161					
	1060		41.73	1060	373	169					
SFL2350S340	350/113	38.3	13.39	340	432	196	25	460	60	28	3560
	1400/32	974					18.5				
	470		18.50	470	443	201					
	590		23.23	590	456	207					
	840		33.07	840	490	222					
	1090		42.91	1090	509	231					

Dimensions in Inches / mm  
 \*) Dimensions SFL550  
 \*\*) Dimensions SFL1150  
 Discharge port with NPT 2 inches available upon request.  
 Dimensions SFL2350 above the flange as with SGL1402

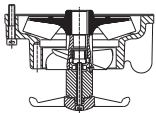


### Quick Suctioning Immersion Pumps

of series SFL equipped with the patented "BRINKMANN's Suction De-aeration System" and are excellently suited for pumping **extremely air entrained fluids** (emulsions) **with heavy chip loads** as they occur in heavy cutting when turning, milling or grinding.

The quick suctioning immersion pumps reach stable working conditions as soon as the liquid level reaches the suction inlet.

The SFL pumps are equipped with the user-friendly 45 degree **flange** connection which allows for either vertical or horizontal pipe connection and the connection of a pressure gauge.



These pumps are available (upon request) with an additional agitator at the pump suction for breaking up and separating large bundles of chips.



### Applications

Types of fluid

- coolants
- cooling/cutting oils

Max. chip to coolant ratio by weight: 1.0 %

Chip material:

- Aluminium, steel, coloured steels

Kinematic viscosity

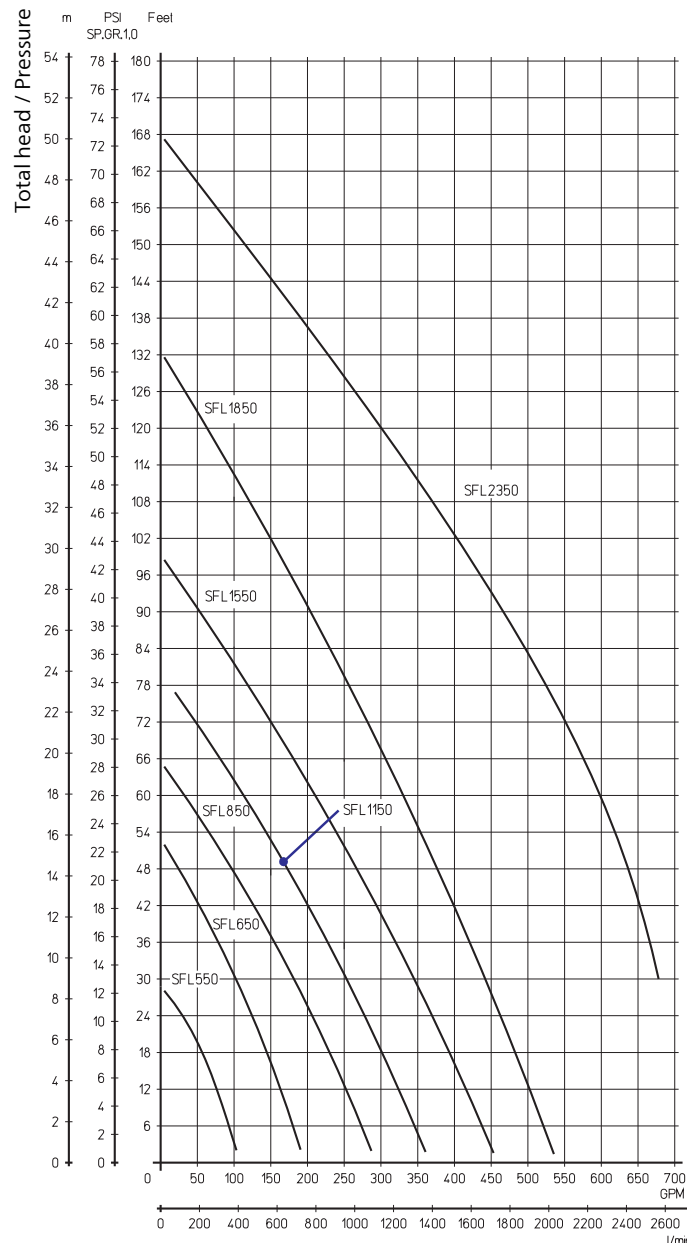
- ...200 SSU (...45 mm<sup>2</sup>/s)

Pumping temperature

- 30...175 °F (0...80 °C)

### Construction

Pump body	cast iron
Cover	cast iron
Impeller axial	cast steel
Impeller radial	cast steel
Shaft	steel
Optional:	
Pump unit	with wear resistant wetted parts
Execution CM1	
Impeller radial	CrMo-steel
Execution CM3	
Cover	CrMo-steel
Impeller axial	CrMo-steel
Impeller radial	CrMo-steel



Flow