

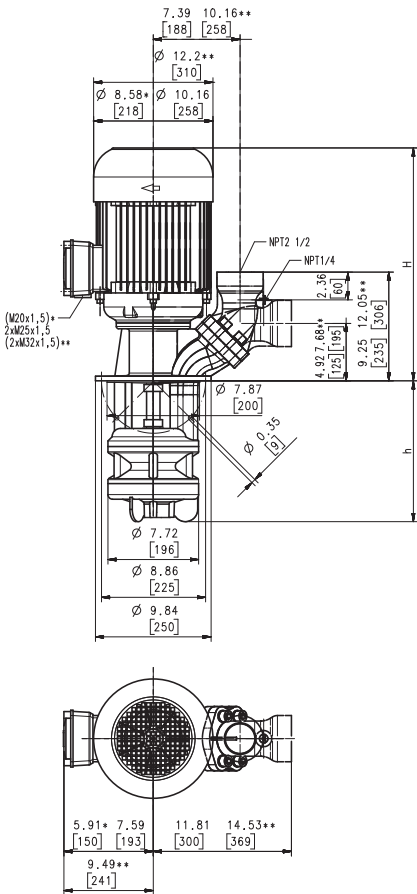
# Quick Suctioning Immersion Pumps

## SAL901...904



### Axial/semi-open impellers

#### SAL901, 902 SAL903, 904



Discharge port with NPT 2 inches available upon request.

Dimensions in Inches / mm

\*) Dimensions SAL901

\*\*\*) Dimensions SAL904

Type	Flow at head	Height	Depth of immersion		Weight		Power HP kW	Voltage 3~ V	Fre- quen- cy Hz	Current Speed	
	GPM /Feet l/min /m	H inch mm	h inch	h mm	Lbs	kg				AMPS	RPM
<b>SAL901S220</b>	175/43	19.8	8.66	220	136.7	62	5.1	230	60	12.8	3520
		700/12	503				3.8	460	60	6.4	3520
	<b>320</b>			12.60	320	145.5	66				
	<b>450</b>			17.72	450	152.1	69				
	<b>570</b>			22.44	570	161.0	73				
	<b>770</b>			30.31	770	190	86				
<b>1000</b>			39.37	1000	203	92					
<b>1120</b>			44.09	1120	214	97					
<b>SAL902S290</b>	175/92	22.6	11.42	290	218	99	9.2	230	60	21.2	3550
		700/26	574				6.9	460	60	10.6	3550
	<b>390</b>			15.35	390	227	103				
	<b>520</b>			20.47	520	234	106				
	<b>640</b>			25.20	640	240	109				
	<b>840</b>			33.07	840	269	122				
<b>1070</b>			42.13	1070	282	128					
<b>1190</b>			46.85	1190	295	134					
<b>SAL903S360</b>	175/135	24.1	14.17	360	267	121	13.8	230	60	31.6	3550
		700/37	612				10.3	460	60	15.8	3550
	<b>460</b>			18.11	460	273	124				
	<b>590</b>			23.23	590	280	127				
	<b>710</b>			27.95	710	289	131				
	<b>910</b>			35.83	910	318	144				
<b>1140</b>			44.88	1140	331	150					
<b>SAL904S430</b>	175/180	24.4	16.93	430	333	151	16.9	230	60	39.2	3560
		700/52	620				12.6	460	60	19.6	3560
	<b>530</b>			20.87	530	340	154				
	<b>660</b>			25.98	660	351	159				
	<b>780</b>			30.71	780	357	162				
	<b>980</b>			38.58	980	390	177				
<b>1210</b>			47.64	1210	399	181					



**Quick Suctioning Immersion Pumps**

equipped with the patented "BRINK-MANN's Suction De-aeration System" are excellently suited for pumping **extremely air entrained fluids** (emulsions resp. cooling/cutting oils) as they occur in heavy cutting when turning, milling or grinding. The quick suctioning immersion pumps reach stable working conditions as soon as the liquid level reaches the suction inlet.

The SAL pumps are equipped with the user-friendly 45 degree **flange** connection which allows for either vertical or horizontal pipe connection and the connection of a pressure gauge.

**Applications**

- Types of fluid
  - coolants
  - cooling/cutting oils
- Kinematic viscosity
  - ...200 SSU (...45 mm<sup>2</sup>/s)
- Pumping temperature
  - 30...175 °F (0...80 °C)

**Construction**

Pump body	cast iron
Cover	cast iron
Impeller axial	cast steel
Impeller radial	cast steel
Shaft	steel

