

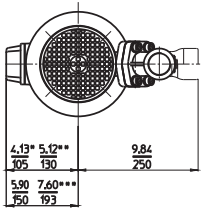
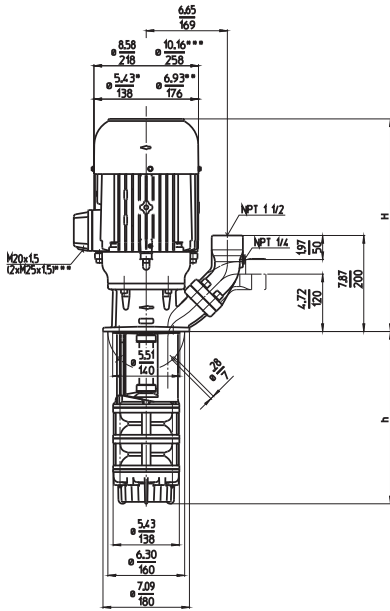
Quick Suctioning Immersion Pumps

SAL601...608

Axial/semi-open impellers



SAL601...608



Dimensions in Inches / mm
 *) Dimensions SAL601
 **) Dimensions SAL602
 ***) Dimensions SAL607, 608

Type	Flow at head		Height		Depth of immersion		Weight		Power HP kW	Voltage 3~ V	Fre- quen- cy Hz	Current Speed	
	GPM /Feet	H inch	h inch	h mm	Lbs	kg	AMPS	RPM					
SAL601S150	100/14	14.2	5.91	150	51.8	23.5	1.7	230	60	4.8	3440		
	230		9.06	230	54.0	24.5	1.27	460	60	2.4	3440		
	300		11.81	300	56.2	25.5							
	380		14.96	380	59.5	27.0							
	470		18.50	470	61.7	28.0							
	580		22.83	580	66.2	30.0							
	780		30.71	780	79.4	36.0							
930		36.61	930	83.8	38.0								
SAL602S220	100/40	17.3	8.46	215	88.2	40	3.4	230	60	8.8	3480		
	300		11.61	295	90.4	41	2.55	460	60	4.4	3480		
	370		14.37	365	92.6	42							
	450		17.52	445	94.8	43							
	540		21.06	535	99.2	45							
	650		25.39	645	103.6	47							
	850		33.27	845	119.1	54							
1000		39.17	995	121.3	55								
SAL603S280	100/60	18.8	11.02	280	119.1	54	5.1	230	60	12.8	3520		
	360		14.17	360	121.3	55	3.8	460	60	6.4	3520		
	430		16.93	430	123.5	56							
	510		20.08	510	125.7	57							
	600		23.62	600	130.1	59							
	710		27.95	710	134.5	61							
	910		35.83	910	147.7	67							
1060		41.73	1060	152.1	69								
SAL604S350	100/90	20.0	13.58	345	138.9	63	7.7	230	60	19.0	3520		
	430		16.73	425	141.1	64	5.75	460	60	9.5	3520		
	500		19.49	495	143.3	65							
	580		22.64	575	147.7	67							
	670		26.18	665	149.9	68							
	780		30.71	780	152.1	69							
	980		38.39	975	168	76							
1130		44.29	1125	172	78								
SAL605S410	100/110	20.0	16.14	410	145.5	66	8.4	230	60	20.8	3510		
	490		19.29	490	147.7	67	6.3	460	60	10.4	3510		
	560		22.05	560	149.9	68							
	640		25.20	640	152.1	69							
	730		28.74	730	156.6	71							
	840		33.07	840	161.0	73							
	1040		40.94	1040	174	79							
SAL607S540	100/165	23.1	21.26	540	227	103	11.5	230	60	27.8	3550		
	620		24.41	620	229	104	8.6	460	60	13.9	3550		
	690		27.17	690	232	105							
	770		30.31	770	234	106							
	860		33.86	860	238	108							
	970		38.19	970	240	109							
SAL608S600	100/205	23.1	23.62	600	249	113	13.8	230	60	31.6	3550		
	680		26.77	680	251	114	10.3	460	60	15.8	3550		
	750		29.53	750	254	115							
	830		32.68	830	256	116							
	920		36.22	920	258	117							
	1030		40.55	1030	265	120							



Quick Suctioning Immersion Pumps

equipped with the patented "BRINK-MANN's Suction De-aeration System" are excellently suited for pumping **extremely air entrained fluids** (emulsions resp. cooling/cutting oils) as they occur in heavy cutting when turning, milling or grinding. The quick suctioning immersion pumps reach stable working conditions as soon as the liquid level reaches the suction inlet.

The SAL pumps are equipped with the user-friendly 45 degree (SAE) flange connection which allows for either vertical or horizontal pipe connection and the connection of a pressure gauge.



Applications

- Types of fluid
 - coolants
 - cooling/cutting oils
- Kinematic viscosity
 - ...200 SSU (...45 mm²/s)
- Pumping temperature
 - 30...175 °F (0...80 °C)

Construction

Pump body	cast iron
Cover	cast iron
Impeller axial	cast steel
Impeller radial	brass
Shaft	steel
Optional: Impeller radial	cast steel

