

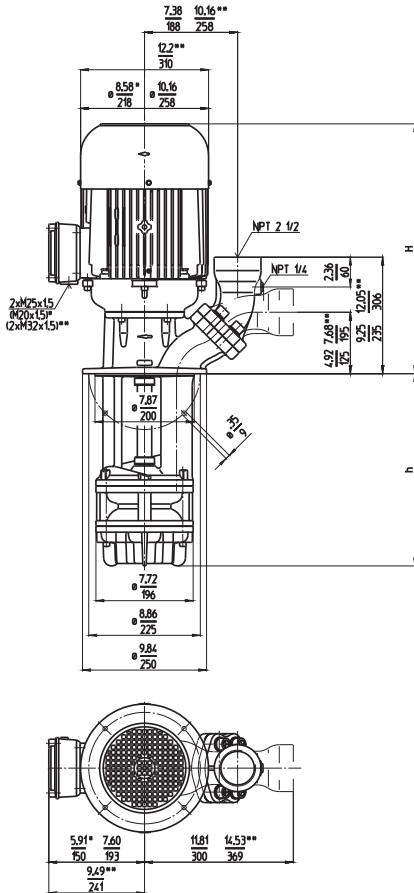
Quick Suctioning Immersion Pumps

SAL1301...1303

Axial/semi-open impellers



SAL1301, 1302 SAL1303



Discharge port with NPT 2 inches available upon request.

Dimensions in Inches / mm

*) Dimensions SAL1301

***) Dimensions SAL1303

Type	Flow at head	Height	Depth of immersion		Weight		Power	Voltage	Frequency	Current	Speed
	GPM /Feet l/min /m	H inch mm	h inch	h mm	Lbs	kg	HP kW	V	Hz	AMPS	RPM
SAL1301S230	250/32	21.0	9.06	230	152.1	69	7.7	230	60	19.0	3520
	900/11	533					5.75	460	60	9.5	3520
	330		12.99	330	158.8	72					
	460		18.11	460	168	76					
	580		22.83	580	179	81					
	780		30.71	780	201	91					
	1010		39.76	1010	216	98					
1130		44.49	1130	223	101						
SAL1302S310	250/82	24.1	12.20	310	238	108	11.5	230	60	27.8	3550
	900/26	612					8.6	460	60	13.9	3550
	410		16.14	410	243	110					
	540		21.26	540	249	113					
	660		25.98	660	260	118					
	860		33.86	860	287	130					
	1090		42.91	1090	304	138					
SAL1303S390	250/130	24.4	15.35	390	315	143	16.9	230	60	39.2	3560
	900/40	620					12.6	460	60	19.6	3560
	490		19.29	490	324	147					
	620		24.41	620	333	151					
	740		29.13	740	342	155					
	940		37.01	940	368	167					
	1170		46.06	1170	384	174					



Quick Suctioning Immersion Pumps

equipped with the patented "BRINK-MANN's Suction De-aeration System" are excellently suited for pumping **extremely air entrained fluids** (emulsions resp. cooling/cutting oils) as they occur in heavy cutting when turning, milling or grinding. The quick suctioning immersion pumps reach stable working conditions as soon as the liquid level reaches the suction inlet.

The SAL pumps are equipped with the user-friendly 45 degree **flange** connection which allows for either vertical or horizontal pipe connection and the connection of a pressure gauge.

Applications

- Types of fluid
 - coolants
 - cooling/cutting oils
- Kinematic viscosity
 - ...200 SSU (...45 mm²/s)
- Pumping temperature
 - 30...175 °F (0...80 °C)

Construction

Pump body	cast iron
Cover	cast iron
Impeller axial	cast steel
Impeller radial	cast steel
Shaft	steel

