

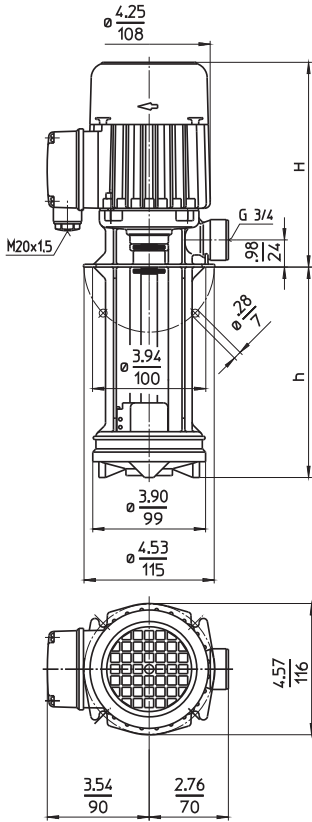
Immersion Pumps in Plastics

KTF61...KTF63

Semi-open impellers



KTF61, 62, 63



Dimensions in Inches / mm

Type	Flow at head		Height		Depth of im- mersion		Weight		Power HP kW	Voltage 3~ V	Fre- quen- cy Hz	Current AMPS	Speed RPM
	GPM /Feet l/min /m	H inch mm	h inch mm	h mm	Lbs	kg							
KTF61S120	7.5/25	7.1	4.65	118	6.8	3.1	0.19	208-230	60	0.82	3200		
	25/8	181					0.14	460	60	0.41	3200		
	170		6.61	168	7.1	3.2							
	220		8.58	218	7.3	3.3							
270		10.55	268	7.7	3.5								
KTF62S150	7.5/50	7.1	5.94	151	7.9	3.6	0.3	208-230	60	0.95	3200		
	25/15	181					0.22	460	60	0.55	3200		
	200		7.91	201	8.2	3.7							
	250		9.88	251	8.4	3.8							
300		11.85	301	8.8	4.0								
KTF63S190	7.5/68	8.4	7.24	184	10.1	4.6	0.38	208-230	60	1.6	3200		
	25/22	214					0.28	460	60	0.8	3200		
	240		9.21	234	10.6	4.8							
	290		11.18	284	11.0	5.0							
340		13.15	334	11.5	5.2								



Immersion Pumps in Plastics

series KTF are suitable for various **water supply applications**.

These pumps are also suitable for a wide range of **chemical liquids**.

No shaft seal is required, due to the construction.

Applications

Types of fluid

Industry water; warm, cold, with and without chemical admixtures, distilled, de-ionnized

Kinematic viscosity

...66 SSU (...12 mm²/s)

Pumping temperature

15...140 °F (-10...+60 °C)

Construction

Pump body	PPS
Cover	PP
Impellers	PPS
Shaft	Cr-steel
Noise level (Motor only; Tolerance +3 dBA)	
KTF61...KTF63	55 dBA

