

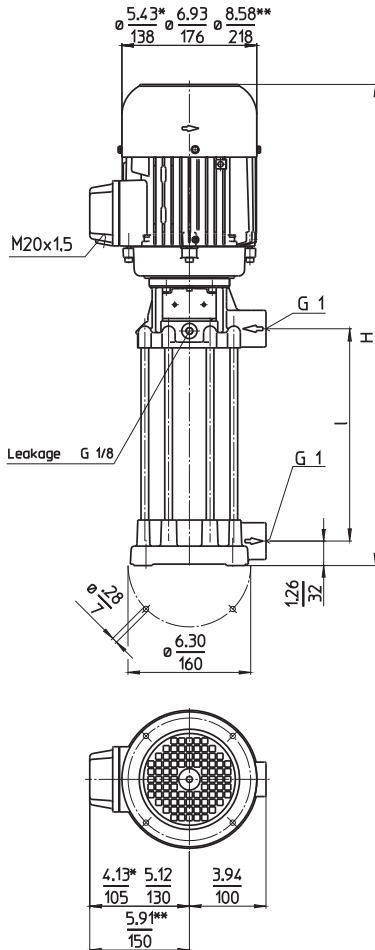
Pressure Boosting Pumps

FH4

Closed impellers



FH403...423



Dimensions in Inches / mm
 *) Dimensions FH403...FH408
 **) Dimensions FH419...FH423

Type	Flow at head	Height	Length			Weight		Power	Voltage	Fre-	Current	Speed
	GPM /Feet l/min /m	H inch mm	l Inch	l mm	Lbs	kg	HP kW	3~ V	quen- cy Hz	AMPS	RPM	
FH403S19	10/90	19.2	7.8	197	40.6	18.4	0.75	208-230	60	2.38	3405	
	40/29	488					0.55	460	60	1.14	3405	
FH404S19	10/130	20.8	7.8	197	43.0	19.5	1	208-230	60	3.02	3425	
	40/39	529					0.725	460	60	1.46	3425	
FH405S19	10/170	20.8	7.8	197	44.8	20.3	1.15	230	60	3.70	3440	
	40/49	529					0.86	460	60	1.85	3440	
FH406S29	10/195	24.8	11.7	297	46.7	21.2	1.4	230	60	4.2	3440	
	40/58	629					1.06	460	60	2.1	3440	
FH407S29	10/230	25.8	11.7	297	49.4	22.4	1.7	230	60	4.8	3440	
	40/68	656					1.27	460	60	2.4	3440	
FH408S29	10/260				49.6	22.5						
	40/78											
FH409S29	10/285	26.7	11.7	297	66.2	30	2	230	60	5.4	3500	
	40/88	678					1.49	460	60	2.7	3500	
FH410S29	10/330	26.7	11.7	297	66.6	30.2	2.3	230	60	6.2	3470	
	40/100	678					1.75	460	60	3.1	3470	
FH411S39	10/360	31.7	15.6	397	71.4	32.4	2.6	230	60	7.0	3480	
	40/110	804					1.95	460	60	3.5	3480	
FH412S39	10/395				72.8	33.0						
	40/119											
FH413S39	10/425	32.9	15.6	397	83.8	38	2.9	230	60	7.8	3500	
	40/129	836					2.18	460	60	3.9	3500	
FH414S39	10/465	32.9	15.6	397	84.9	38.5	3.4	230	60	8.8	3480	
	40/139	836					2.55	460	60	4.4	3480	
FH415S39	10/505				85.1	38.6						
	40/150											
FH416S49	10/530	36.9	19.6	497	86.0	39.0	3.9	230	60	10.2	3480	
	40/159	936					2.94	460	60	5.1	3480	
FH417S49	10/565				86.2	39.1						
	40/170											
FH418S49	10/595				86.4	39.2						
	40/179											
FH419S49	10/635	36.6	19.6	497	112.2	50.9	5.1	230	60	12.8	3520	
	40/192	929					3.8	460	60	6.4	3520	
FH420S49	10/670				112.5	51.0						
	40/202											
FH421S59	10/705	40.5	23.5	597	112.7	51.1						
	40/214	1029										
FH422S59	10/735				113.1	51.3						
	40/224											
FH423S59	10/770	40.5	23.5	597	122.4	55.5	6.1	230	60	15.8	3520	
	40/233	1029					4.55	460	60	7.9	3520	



Pressure Boosting Pumps

series TH and FH use closed impellers in order to minimize power consumption and to optimize hydraulic pump efficiencies.

In addition, the TH series offers high pressures at short immersion depths. Inline pumps of the series FH can be used as boosting pumps if provided with positive inlet pressure. This inlet pressure can be provided by the central coolant supply or a feed pump. In such a setup, pumps of the series FH can raise the incoming pressure by up to 375 PSI (26 bar).

A frequency alternator can be supplied for special applications or for matching the pump characteristic to a specific duty point. See page "Control/Regulation" in the Technical Information section of this catalog for further information.

Applications

- Types of fluid
 - Industry water
 - coolants
 - cooling/cutting oils
- Kinematic viscosity
 - 4.6 SSU (1 mm²/s)
 - higher viscosity upon request
- Pumping temperature
 - 30...175 °F (0...80 °C)

Construction

Pump body	cast iron
Cover	cast iron
Impellers	CrNi-steel
Shaft	CrNi-steel
Diffusers	CrNi-steel
Mechanical seal	SiC
O-rings	Viton®
Optional:	
Pump body	bronze
Cover	bronze
Noise level (Motor only; Tolerance +3 dBA)	
FH403...FH408	61 dBA
FH409...FH418	66 dBA
FH419...FH423	75 dBA

