

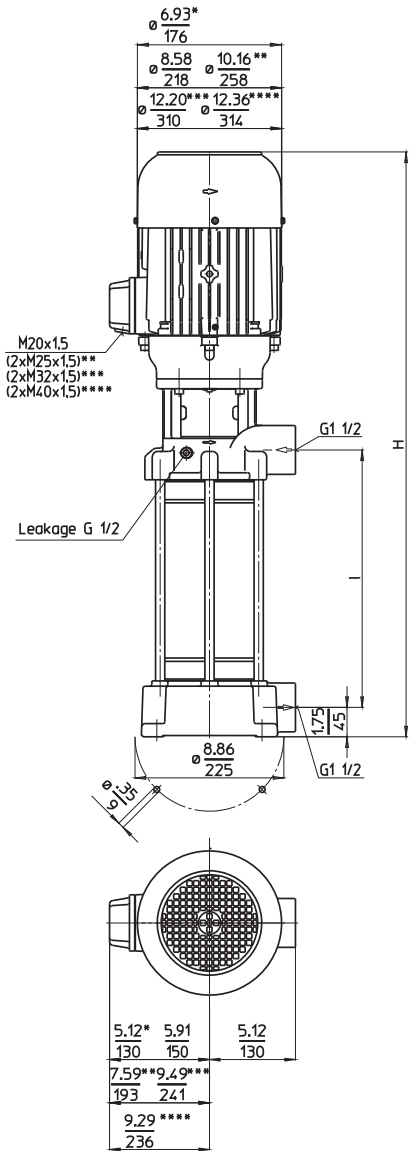
Pressure Boosting Pumps

FH14

Closed impellers



FH1402...1412



Dimensions in Inches / mm

- *) Dimensions FH1402
- **) Dimensions FH1405...FH1407
- ***) Dimensions FH1408...FH1410
- ****) Dimensions FH1411...FH1412

Type	Flow at head		Height	Length		Weight		Power	Voltage	Fre-	Current	Speed
	GPM /Feet	H inch	l Inch	l mm	Lbs	kg	HP	V	quen-	AMPS	RPM	
	l/min /m	mm					kW	3~	cy	Hz		
FH1402S18	62.5/115	27.6	8.3	212	105.8	48	3.9	230	60	10.2	3480	
	250/38	702					2.94	460	60	5.1	3480	
FH1403S28	62.5/180	33.0	12.1	308	136.7	62	6.1	230	60	15.8	3520	
	250/58	837					4.55	460	60	7.9	3520	
FH1404S28	62.5/240	34.1	12.1	308	149.9	68	8.4	230	60	20.8	3510	
	250/77	867					6.3	460	60	10.4	3510	
FH1405S38	62.5/305	40.9	15.9	404	216	98	11.5	230	60	27.8	3550	
	250/96	1040					8.6	460	60	13.9	3550	
FH1406S38	62.5/370				218	99						
	250/111											
FH1407S47	62.5/430	44.7	19.7	500	240	109	13.8	230	60	31.6	3550	
	250/128	1136					10.3	460	60	15.8	3550	
FH1408S47	62.5/490	45.0	19.7	500	280	127	16.9	230	60	39.2	3560	
	250/147	1144					12.6	460	60	19.6	3560	
FH1409S57	62.5/560	48.8	23.5	596	289	131	20.1	230	60	48.2	3560	
	250/165	1240					15.0	460	60	24.1	3560	
FH1410S57	62.5/620				293	133						
	250/184											
FH1411S66	62.5/685	67.0	27.2	692	355	161	25	460	60	28	3560	
	250/203	1701					18.5					
FH1412S66	62.5/730				362	164						
	250/222											



Pressure Boosting Pumps

series TH and FH use closed impellers in order to minimize power consumption and to optimize hydraulic pump efficiencies.

In addition, the TH series offers high pressures at short immersion depths. Inline pumps of the series FH can be used as boosting pumps if provided with positive inlet pressure. This inlet pressure can be provided by the central coolant supply or a feed pump. In such a setup, pumps of the series FH can raise the incoming pressure by up to 375 PSI (26 bar).

A frequency alternator can be supplied for special applications or for matching the pump characteristic to a specific duty point. See page "Control/Regulation" in the Technical Information section of this catalog for further information.

Applications

- Types of fluid
 - Industry water
 - coolants
 - cooling/cutting oils
- Kinematic viscosity
 - ...115 SSU (...25 mm²/s)
- Pumping temperature
 - 30...175 °F (0...80 °C)

Construction

Pump body	cast iron
Cover	cast iron
Impellers	CrNi-steel
Shaft	CrNi-steel
Diffusers	CrNi-steel
Mechanical seal	SiC
O-rings	Viton®
Noise level (Motor only; Tolerance +3 dBA)	
FH1402	66 dBA
FH1403...FH1404	74 dBA
FH1405...FH1407	77 dBA
FH1408...FH1410	79 dBA
FH1411...FH1412	81 dBA

