

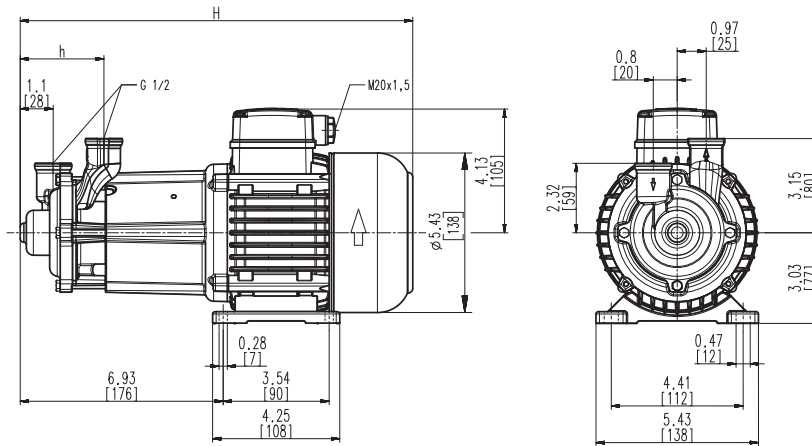
Miniature Centrifugal Pumps

BMK3...BMK4

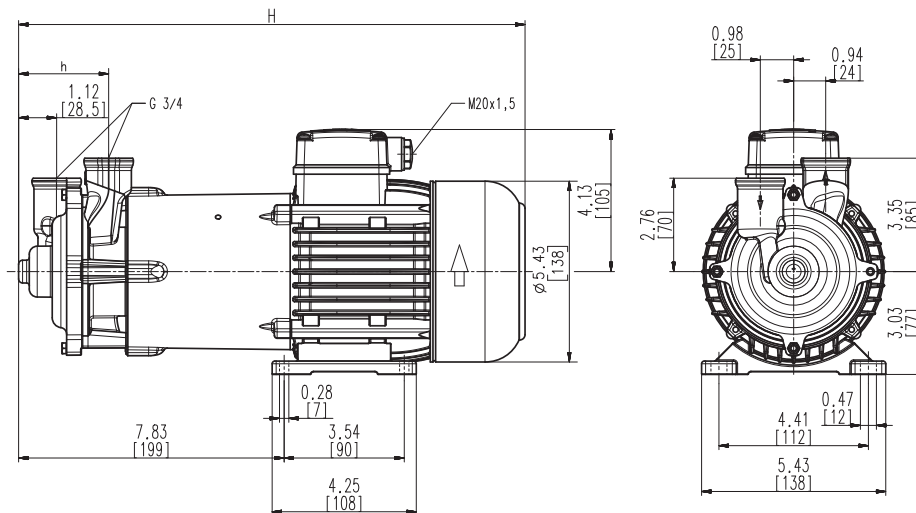
Peripheral impellers



BMK3



BMK4



Dimensions in Inches / mm

Type	Flow at head	Dimen- Dimensions		Dimensions		Weight		Power	Voltage	Fre- quen- cy	Current	Speed
	GPM /Feet l/min /m	H inch	H mm	h inch	h mm	Lbs	kg	HP kW	V	Hz	AMPS	RPM
BMK3	5/110	14.7	374	2.8	71	23.8	10.8	1	208-230	60	3.02	3425
	20/31							0.725	460	60	1.46	3425
BMK4	5/135	16.9	430	2.7	67.5	30.9	14	1.7	230	60	4.8	3440
	20/42							1.27	460	60	2.4	3440



Miniature Centrifugal Pumps

of the **BMK series** have been desined for **clean water circuits** of up to 320° F (160° C) fluid temperature and up to **100 psi (7 bar)** of system pressure.

The pumps are equipped with a magnetic coupling. The pumps can be mounted vertically or horizontally. The specific design allows the pumps to operate without wear poor.

Applications

Types of fluid
 Industry water up to 320 °F (160° C) with a system pressure of 100 psi (7 bar)

Construction

Pump body	CrNi-steel
Cover	CrNi-steel
Impeller	CrNi-steel
Shaft	Ceramic
Gasket	Split-case
Noise level (Motor only; Tolerance +3 dBA)	
BMK3	68 dBA
BMK4	69 dBA

