

High Pressure Pumps

BFS2, FFS2

Screw spindles



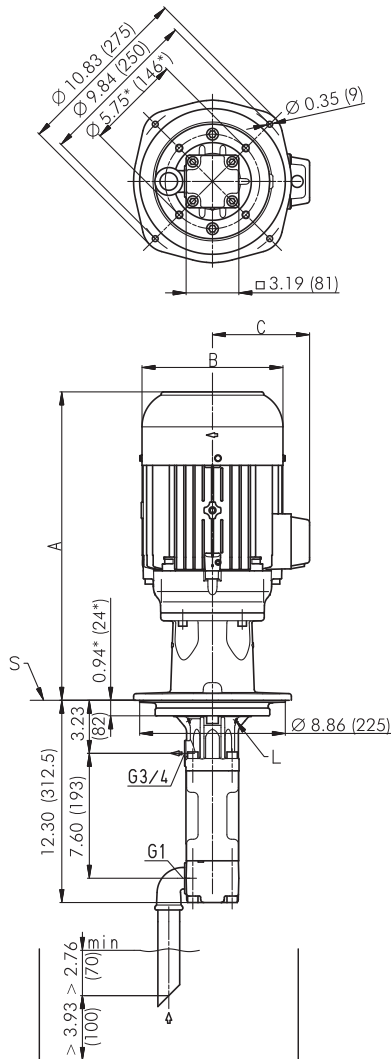
Pressure max.	2-pole motor rotation speed 3500 RPM							4-pole motor rotation speed 1750 RPM					
	Flow at viscosity		Power consumption of viscosity		Motor immersion version	Motor foot mounted version	Weight	Flow at viscosity		Power consumption of viscosity		Motor	Weight
	5 SSU	90 SSU	5 SSU	90 SSU	IE3/NEMA	NEMA		5 SSU	90 SSU	5 SSU	90 SSU	NEMA	
	GPM	GPM	HP	HP	HP	HP		GPM	GPM	HP	HP	HP	
Type / bar / PSI	Q _{Th} ¹⁾						Lbs	Q _{Th} ¹⁾				Lbs	
BFS2325	Q _{Th} ¹⁾ 8.3		-		-		-	Q _{Th} ¹⁾ 4.2		-		-	
10 / 145	7.8	8.1	1.1	1.2	B 2	2	88	3.7	4.0	0.5	0.7	1	68
20 / 290	7.7	8.1	1.9	1.9	B 2.3	3	88	3.5	3.9	0.9	0.9	1.5	68
30 / 435	7.5	8.0	2.5	2.7	B 2.9	3	99	3.4	3.9	1.2	1.3	1.5	73
40 / 580	7.3	7.9	3.2	3.4	B 3.9	4	101	3.2	3.8	1.6	1.7	2	77
50 / 725	7.2	7.9	3.9	4.2	B 4.6	5	128	3.0	3.7	1.9	2.0	3	77
60 / 870	7.0	7.8	4.7	4.8	B 5.1	5	128	2.9	3.6	2.3	2.4	3	101
70 / 1015	6.9	7.7	5.4	5.6	B 6.1	7.5	130	2.7	3.6	2.7	2.8	3	101
80 / 1160	6.7	7.7	6.0	6.3	B 7.7	7.5	141	2.6	3.5	3.0	3.1	4	101
90 / 1305	6.6	7.6	6.7	7.1	B 7.7	7.5	141	2.4	3.4	3.4	3.5	4	101
100 / 1450	6.4	7.5	7.5	7.8	B 8.4	10	165	2.2	3.4	3.6	3.9	4	101
110 / 1595	6.3	7.5	8.2	8.6	B 9.2	10	192	-	3.3	-	4.3	5	101
120 / 1740	6.1	7.4	8.9	9.3	B 10	10	192	-	3.2	-	4.6	5	110
130 / 1885	6.0	7.3	9.5	10.1	B 11.5	15	207	-	3.2	-	5.0	5	110
140 / 2030	5.8	7.3	10.3	10.7	B 11.5	15	207	-	3.1	-	5.4	7.5	110
150 / 2175	5.7	7.2	11.0	11.5	B 13.8	15	220	-	3.1	-	5.6	7.5	110
BFS2385	Q _{Th} ¹⁾ 9.9		-		-		-	Q _{Th} ¹⁾ 4.9		-		-	
10 / 145	9.3	9.6	1.2	1.2	B 2	2	88	4.4	4.7	0.5	0.5	1	68
20 / 290	9.1	9.6	2.1	2.1	B 2.6	3	90	4.2	4.6	1.1	1.1	1.5	73
30 / 435	8.9	9.5	3.0	3.0	B 3.4	4	99	4.0	4.5	1.5	1.5	2	73
40 / 580	8.7	9.4	3.8	3.9	B 4.6	5	128	3.8	4.5	1.9	1.9	3	77
50 / 725	8.6	9.3	4.6	4.7	B 5.1	5	128	3.6	4.4	2.3	2.4	3	101
60 / 870	8.4	9.3	5.5	5.6	B 6.1	7.5	130	3.4	4.3	2.7	2.8	3	101
70 / 1015	8.2	9.2	6.3	6.4	B 7.7	7.5	141	3.2	4.3	3.1	3.2	4	101
80 / 1160	8.0	9.1	7.1	7.4	B 7.7	10	165	3.1	4.2	3.5	3.6	4	101
90 / 1305	7.8	9.0	7.9	8.2	B 8.4	10	165	2.9	4.1	3.9	4.2	5	101
100 / 1450	7.7	9.0	8.9	9.1	B 11.5	10	207	2.7	4.0	4.3	4.6	5	110
110 / 1595	7.5	8.9	9.7	9.9	B 11.5	15	207	-	4.0	-	5.0	5	110
120 / 1740	7.3	8.8	10.5	10.9	B 11.5	15	207	-	3.9	-	5.5	7.5	110
130 / 1885	7.1	8.7	11.3	11.8	B 13.8	15	220	-	3.8	-	5.9	7.5	181
140 / 2030	6.9	8.7	12.1	12.6	B 13.8	15	220	-	3.8	-	6.3	7.5	181
150 / 2175	6.8	8.6	13.0	13.5	B 16.9	15	269	-	3.7	-	6.7	7.5	181

¹⁾ Q_{Th}: Theoretical flow rate ; Viscosity > 90 SSU more power consumption.

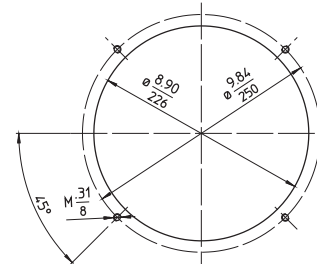
Higher pressure for water soluble coolants (up to 2900 psi / 200 bar) upon request.

Characteristics and dimensions

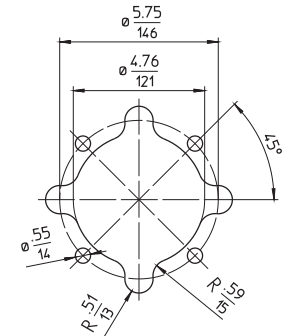
BFS2, FFS2



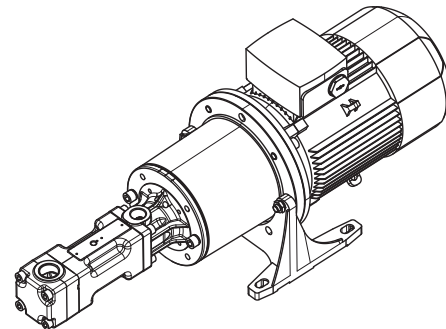
Mounting hole patterns
BFS1 / BFS2



TFS1 / TFS2

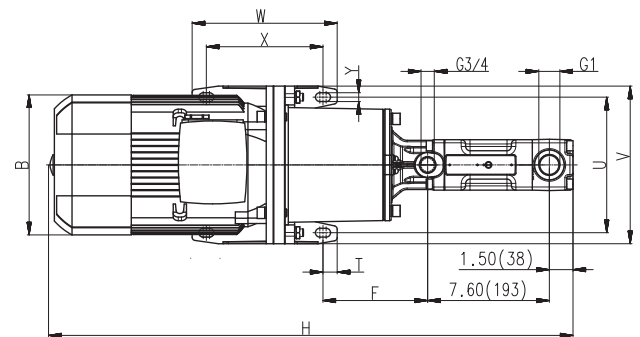
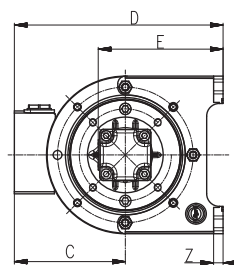


Dimensions in Inches / mm
All corners must be deburred!
According to ISO 2768-m



*) Dimensions for 4-pole standard motor upon request

L = Leakage hole
S = Mounting plate, please refer to the cut-out of mounting hole



Power 2-poles HP	A Inch	B Inch	C Inch
B 2 / 2.3	16.34	6.93	5.12
B 2.6	17.36	6.93	5.12
B 2.9 / 3.4 / 3.9	18.66	6.93	5.12
B 4.6 / 5.1 / 6.1	20.20	8.58	5.91
B 7.7 / 8.4	21.38	8.58	5.91
B 9.2 / 10	22.99	10.16	7.60
B 11.5 / 13.8	24.49	10.16	7.60
B 16.9	24.80	12.20	9.45

Power 2-poles HP	Power 4-poles HP	B Inch	C Inch	D Inch	E Inch	F Inch	H Inch	T Inch	U Inch	V Inch	W Inch	X Inch	Y Inch	Z Inch
-	1	6.26	4.76	9.17	6.10	5.43	30.55	0.59	7.09	8.27	3.54	2.36	0.43	0.47
2	1.5 / 2	7.01	4.96	9.37	6.10	5.43	29.37	0.59	7.09	8.27	3.54	2.36	0.43	0.47
3	-	7.01	4.96	9.37	6.10	5.43	30.94	0.59	7.09	8.27	3.54	2.36	0.43	0.47
4	3 / 4	7.80	6.54	12.64	7.80	6.54	33.31	0.89	8.46	9.84	9.06	7.28	0.55	0.59
5	5	8.74	6.97	13.07	7.80	6.54	32.68	0.89	8.46	9.84	9.06	7.28	0.55	0.59
7.5	-	10.31	7.95	15.24	8.98	6.73	34.72	0.89	10.43	11.81	10.63	8.86	0.55	0.71
10	7.5	10.31	7.95	15.24	8.98	6.73	36.69	0.89	10.43	11.81	10.63	8.86	0.55	0.71
15	-	12.36	9.33	18.58	10.94	8.27	41.38	0.79	11.81	13.78	12.01	10.43	0.71	0.71

High Pressure Pumps

BFS2, FFS2

Screw spindles



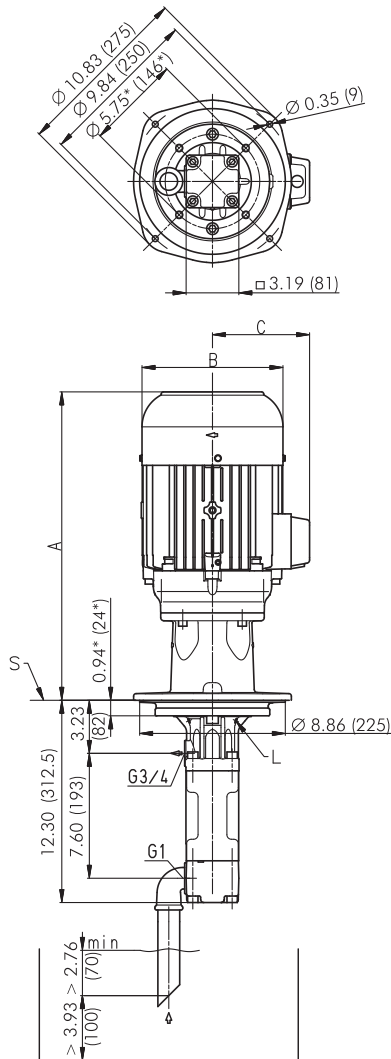
Pressure max.	Flow at viscosity		2-pole motor rotation speed 3500 RPM					4-pole motor rotation speed 1750 RPM					
			Power consumption of viscosity		Motor immersion version IE3/NEMA	Motor foot mounted version NEMA	Weight	Flow at viscosity		Power consumption of viscosity		Motor NEMA	Weight
			5 SSU	90 SSU				5 SSU	90 SSU	5 SSU	90 SSU		
Type / bar / PSI	GPM	GPM	HP	HP	HP	HP	Lbs	GPM	GPM	HP	HP	HP	Lbs
BFS250S	Q_{Th}¹⁾ 13.0		-	-	-	-	-	Q_{Th}¹⁾ 6.5		-	-	-	-
10 / 145	12.3	12.7	1.5	1.6	B 2.3	3	88	5.8	6.2	0.7	0.8	1	68
20 / 290	12.0	12.6	2.7	2.7	B 3.4	4	99	5.5	6.1	1.3	1.3	2	73
30 / 435	11.8	12.5	3.8	3.9	B 4.6	5	128	5.3	6.0	1.9	1.9	3	77
40 / 580	11.5	12.4	4.8	5.1	B 6.1	7.5	130	5.0	5.9	2.4	2.5	3	101
50 / 725	11.3	12.3	5.9	6.2	B 7.7	7.5	141	4.8	5.8	3.0	3.1	4	101
60 / 870	11.1	12.2	7.0	7.4	B 7.7	10	165	4.6	5.7	3.5	3.6	4	101
70 / 1015	10.9	12.1	8.2	8.4	B 11.5	10	207	4.4	5.6	4.0	4.3	5	101
80 / 1160	10.6	12.0	9.3	9.7	B 11.5	15	207	4.1	5.5	4.6	4.8	5	110
90 / 1305	10.5	11.9	10.3	10.9	B 11.5	15	207	3.9	5.4	5.1	5.4	7.5	110
100 / 1450	10.3	11.8	11.4	11.9	B 13.8	15	220	3.7	5.3	5.6	6.0	7.5	181
110 / 1595	9.9	11.7	12.5	13.1	B 13.8	15	220	-	5.2	-	6.6	7.5	181
120 / 1740	9.6	11.6	13.7	14.1	B 16.9	15	269	-	5.1	-	7.1	7.5	181
130 / 1885	9.3	11.5	14.8	15.4	B 16.9	20	269	-	5.0	-	7.8	10	181
140 / 2030	8.9	11.4	15.8	16.5	B 20.1	20	269	-	4.9	-	8.3	10	181
150 / 2175	8.6	11.3	16.9	17.7	B 20.1	20	269	-	4.8	-	8.9	10	181
BFS260S	Q_{Th}¹⁾ 15.6		-	-	-	-	-	Q_{Th}¹⁾ 7.8		-	-	-	-
10 / 145	14.7	15.2	1.7	2.0	B 2.9	3	99	6.9	7.4	0.8	0.9	1.5	73
20 / 290	14.4	15.1	3.1	3.4	B 4.6	4	128	6.6	7.3	1.5	1.7	2	73
30 / 435	14.1	14.9	4.4	4.8	B 6.1	7.5	130	6.3	7.1	2.1	2.4	3	101
40 / 580	13.8	14.7	5.8	6.2	B 7.7	7.5	141	6.0	6.9	2.8	3.1	4	101
50 / 725	13.5	14.6	7.0	7.6	B 8.4	10	165	5.7	6.8	3.5	3.9	4	101
60 / 870	13.2	14.4	8.3	9.0	B 11.5	10	207	5.4	6.6	4.2	4.6	5	110
70 / 1015	12.8	14.3	9.7	10.5	B 11.5	15	207	5.0	6.5	4.8	5.2	7.5	110
80 / 1160	12.5	14.1	11.0	11.8	B 13.8	15	220	4.8	6.3	5.5	5.9	7.5	181
90 / 1305	12.2	13.9	12.3	13.3	B 16.9	15	269	4.4	6.1	6.2	6.7	7.5	181
100 / 1450	11.9	13.8	13.7	14.8	B 16.9	20	269	4.1	6.0	6.8	7.4	7.5	181
110 / 1595	11.5	13.6	15.0	16.2	B 16.9	20	269	-	5.8	-	8.0	10	181
120 / 1740	11.1	13.4	16.2	17.6	B 20.1	20	269	-	5.6	-	8.9	10	181
130 / 1885	10.6	13.1	17.6	19.0	B 20.1	20	269	-	-	-	-	-	-
140 / 2030	10.2	12.8	18.9	20.4	-	25	247	-	-	-	-	-	-
150 / 2175	9.8	12.4	20.2	21.9	-	25	247	-	-	-	-	-	-

¹⁾ Q_{Th}: Theoretical flow rate ; Viscosity > 90 SSU more power consumption.

Higher pressure for water soluble coolants (up to 2900 psi / 200 bar) upon request.

Characteristics and dimensions

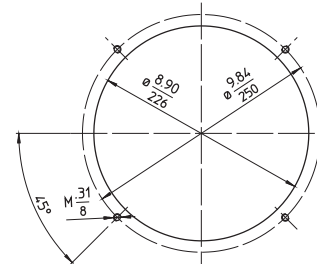
BFS2, FFS2



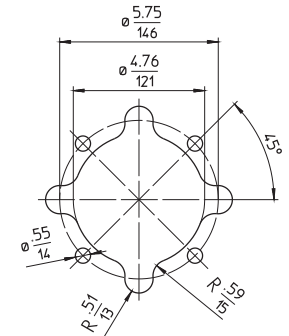
*) Dimensions for 4-pole standard motor upon request
 L = Leakage hole
 S = Mounting plate, please refer to the cut-out of mounting hole

Mounting hole patterns

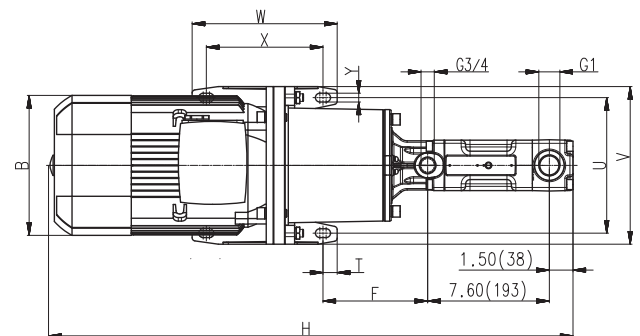
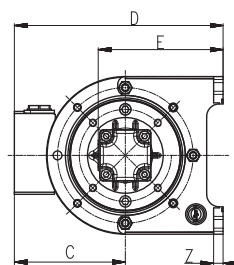
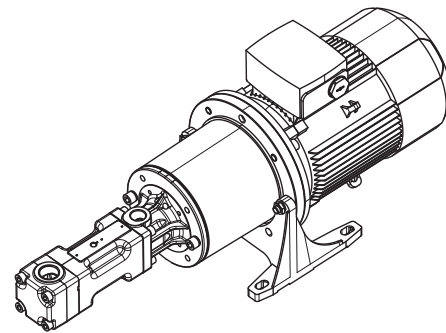
BFS1 / BFS2



TFS1 / TFS2



Dimensions in Inches / mm
 All corners must be deburred!
 According to ISO 2768-m



Power 2-poles HP	A Inch	B Inch	C Inch
B 2.3	16.34	6.93	5.12
B 2.9 / 3.4	18.66	6.93	5.12
B 4.6 / 6.1	20.20	8.58	5.91
B 7.7 / 8.4	21.38	8.58	5.91
B 11.5 / 13.8	24.49	10.16	7.60
B 16.9 / 20.1	24.80	12.20	9.45

Power 2-poles HP	Power 4-poles HP	B Inch	C Inch	D Inch	E Inch	F Inch	H Inch	T Inch	U Inch	V Inch	W Inch	X Inch	Y Inch	Z Inch
-	1	6.26	4.76	9.17	6.10	5.43	30.55	0.59	7.09	8.27	3.54	2.36	0.43	0.47
-	1.5 / 2	7.01	4.96	9.37	6.10	5.43	29.37	0.59	7.09	8.27	3.54	2.36	0.43	0.47
3	-	7.01	4.96	9.37	6.10	5.43	30.94	0.59	7.09	8.27	3.54	2.36	0.43	0.47
4	3 / 4	7.80	6.54	12.64	7.80	6.54	33.31	0.89	8.46	9.84	9.06	7.28	0.55	0.59
5	5	8.74	6.97	13.07	7.80	6.54	32.68	0.89	8.46	9.84	9.06	7.28	0.55	0.59
7.5	-	10.31	7.95	15.24	8.98	6.73	34.72	0.89	10.43	11.81	10.63	8.86	0.55	0.71
10	7.5	10.31	7.95	15.24	8.98	6.73	36.69	0.89	10.43	11.81	10.63	8.86	0.55	0.71
-	10	10.31	7.95	15.24	8.98	6.73	37.01	0.89	10.43	11.81	10.63	8.86	0.55	0.71
15 / 20	-	12.36	9.33	18.58	10.94	8.27	41.38	0.79	11.81	13.78	12.01	10.43	0.71	0.71
25	-	12.36	9.33	18.58	10.94	8.27	43.74	0.79	11.81	13.78	12.01	10.43	0.71	0.71