

BFS2, FFS2

螺杆



| 2 极电机 转速 3500 RPM | | | | | | | | | 4 极电机 转速 1750 RPM | | | | | | | |
|----------------------|------------------------------------|--------------------------|-------------------------|--------------------------|------------|------|-------------|-----|------------------------------------|-------------------------|--------------------------|-------------------------|--------------------------|------|------|----|
| 最大 压力 | 流量 | | 功率消耗 | | 电机 沉水形式 | | 电机 脚安装形式 | | 重量 | 流量 | | 功率消耗 | | 电机 | | 重量 |
| | 1 mm ² /s | 20 mm ² /s | 1 mm ² /s | 20 mm ² /s | IE3 / NEMA | IE3 | NEMA | IE3 | | 1 mm ² /s | 20 mm ² /s | 1 mm ² /s | 20 mm ² /s | IE3 | NEMA | |
| 型号 / bar | l/min | l/min | kW | kW | kW | kW | kW | kg | l/min | l/min | kW | kW | kW | kW | kg | |
| BFS232/ | Q _{Th} ¹⁾ 31.5 | | - | - | - | - | - | - | Q _{Th} ¹⁾ 15.8 | | - | - | - | - | - | |
| 10 | 29.7 | 30.8 | 0.8 | 0.9 | B 1.49 | 1.27 | 1.5 | 40 | 13.9 | 15.1 | 0.4 | 0.5 | 0.86 | 0.75 | 31 | |
| 20 | 29 | 30.6 | 1.4 | 1.4 | B 1.75 | 1.75 | 2.2 | 40 | 13.3 | 14.8 | 0.7 | 0.7 | 0.86 | 1.1 | 31 | |
| 30 | 28.4 | 30.3 | 1.9 | 2.0 | B 2.18 | 2.54 | 2.2 | 45 | 12.7 | 14.6 | 0.9 | 1.0 | 1.27 | 1.1 | 33 | |
| 40 | 27.8 | 30 | 2.4 | 2.5 | B 2.94 | 3.45 | 3.0 | 46 | 12.1 | 14.3 | 1.2 | 1.3 | 1.75 | 1.5 | 35 | |
| 50 | 27.2 | 29.8 | 2.9 | 3.1 | B 3.45 | 3.45 | 3.7 | 58 | 11.5 | 14 | 1.4 | 1.5 | 1.75 | 2.2 | 35 | |
| 60 | 26.6 | 29.5 | 3.5 | 3.6 | B 3.8 | 4.55 | 3.7 | 58 | 10.9 | 13.8 | 1.7 | 1.8 | 2.55 | 2.2 | 46 | |
| 70 | 26 | 29.3 | 4.0 | 4.2 | B 4.55 | 4.55 | 5.5 | 59 | 10.3 | 13.5 | 2.0 | 2.1 | 2.55 | 2.2 | 46 | |
| 80 | 25.4 | 29 | 4.5 | 4.7 | B 5.75 | 6.3 | 5.5 | 64 | 9.7 | 13.3 | 2.2 | 2.3 | 2.55 | 3.0 | 46 | |
| 90 | 24.9 | 28.7 | 5.0 | 5.3 | B 5.75 | 6.3 | 5.5 | 64 | 9.1 | 13 | 2.5 | 2.6 | 3.45 | 3.0 | 46 | |
| 100 | 24.3 | 28.5 | 5.6 | 5.8 | B 6.3 | 6.3 | 7.5 | 64 | 8.5 | 12.7 | 2.7 | 2.9 | 3.45 | 3.0 | 46 | |
| 110 | 23.8 | 28.3 | 6.1 | 6.4 | B 6.9 | 8.6 | 7.5 | 87 | - | 12.5 | - | 3.2 | 3.45 | 3.7 | 46 | |
| 120 | 23.2 | 28 | 6.6 | 6.9 | B 7.48 | 8.6 | 7.5 | 87 | - | 12.3 | - | 3.4 | 4.55 | 3.7 | 50 | |
| 130 | 22.7 | 27.8 | 7.1 | 7.5 | B 8.6 | 8.6 | 11.0 | 94 | - | 12 | - | 3.7 | 4.55 | 3.7 | 50 | |
| 140 | 22.1 | 27.5 | 7.7 | 8.0 | B 8.6 | 8.6 | 11.0 | 94 | - | 11.8 | - | 4.0 | 4.55 | 5.5 | 50 | |
| 150 | 21.6 | 27.3 | 8.2 | 8.6 | B 10.3 | 12.6 | 11.0 | 100 | - | 11.6 | - | 4.2 | 4.55 | 5.5 | 50 | |
| BFS238/ | Q _{Th} ¹⁾ 37.4 | | - | - | - | - | - | - | Q _{Th} ¹⁾ 18.7 | | - | - | - | - | - | |
| 10 | 35.2 | 36.5 | 0.9 | 0.9 | B 1.49 | 1.27 | 1.5 | 40 | 16.5 | 17.8 | 0.4 | 0.4 | 0.86 | 0.75 | 31 | |
| 20 | 34.5 | 36.2 | 1.6 | 1.6 | B 1.95 | 2.54 | 2.2 | 41 | 15.8 | 17.5 | 0.8 | 0.8 | 1.27 | 1.1 | 33 | |
| 30 | 33.8 | 35.9 | 2.2 | 2.2 | B 2.55 | 2.54 | 3.0 | 45 | 15.1 | 17.2 | 1.1 | 1.1 | 1.27 | 1.5 | 33 | |
| 40 | 33.1 | 35.6 | 2.8 | 2.9 | B 3.45 | 3.45 | 3.7 | 58 | 14.4 | 16.9 | 1.4 | 1.4 | 1.75 | 2.2 | 35 | |
| 50 | 32.4 | 35.3 | 3.4 | 3.5 | B 3.8 | 4.55 | 3.7 | 58 | 13.7 | 16.6 | 1.7 | 1.8 | 2.55 | 2.2 | 46 | |
| 60 | 31.7 | 35.1 | 4.1 | 4.2 | B 4.55 | 4.55 | 5.5 | 59 | 13 | 16.4 | 2.0 | 2.1 | 2.55 | 2.2 | 46 | |
| 70 | 31 | 34.8 | 4.7 | 4.8 | B 5.75 | 6.3 | 5.5 | 64 | 12.3 | 16.1 | 2.3 | 2.4 | 3.45 | 3.0 | 46 | |
| 80 | 30.3 | 34.5 | 5.3 | 5.5 | B 5.75 | 6.3 | 7.5 | 64 | 11.6 | 15.8 | 2.6 | 2.7 | 3.45 | 3.0 | 46 | |
| 90 | 29.6 | 34.2 | 5.9 | 6.1 | B 6.3 | 6.3 | 7.5 | 64 | 10.9 | 15.5 | 2.9 | 3.1 | 3.45 | 3.7 | 46 | |
| 100 | 29 | 34 | 6.6 | 6.8 | B 8.6 | 8.6 | 7.5 | 94 | 10.2 | 15.3 | 3.2 | 3.4 | 4.55 | 3.7 | 50 | |
| 110 | 28.3 | 33.7 | 7.2 | 7.4 | B 8.6 | 8.6 | 11.0 | 94 | - | 15 | - | 3.7 | 4.55 | 3.7 | 50 | |
| 120 | 27.6 | 33.4 | 7.8 | 8.1 | B 8.6 | 8.6 | 11.0 | 94 | - | 14.7 | - | 4.1 | 4.55 | 5.5 | 50 | |
| 130 | 27 | 33.1 | 8.4 | 8.8 | B 10.3 | 12.6 | 11.0 | 100 | - | 14.4 | - | 4.4 | 6.3 | 5.5 | 82 | |
| 140 | 26.3 | 32.9 | 9.0 | 9.4 | B 10.3 | 12.6 | 11.0 | 100 | - | 14.2 | - | 4.7 | 6.3 | 5.5 | 82 | |
| 150 | 25.7 | 32.6 | 9.7 | 10.1 | B 12.6 | 12.6 | 11.0 | 122 | - | 13.9 | - | 5.0 | 6.3 | 5.5 | 82 | |

¹⁾ Q_{Th}: 理论流量

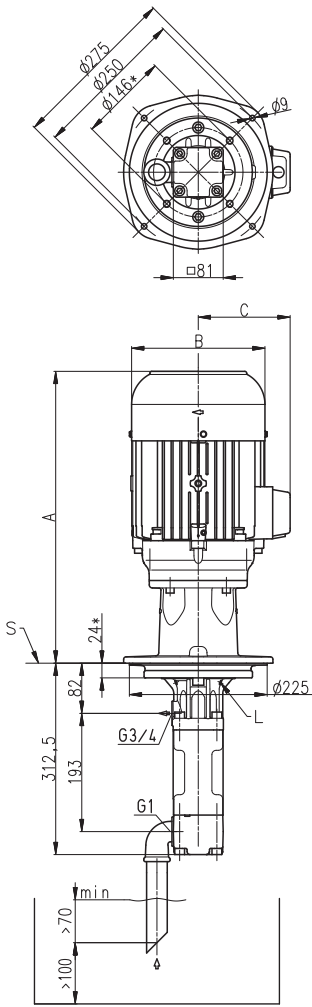
更高压力(最大 200 bar) 请洽询。

黏度 > 20 mm²/s 更大功率消耗。

特性和尺寸

BFS2, FFS2

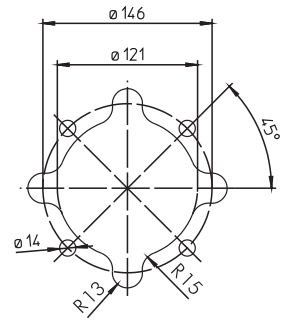
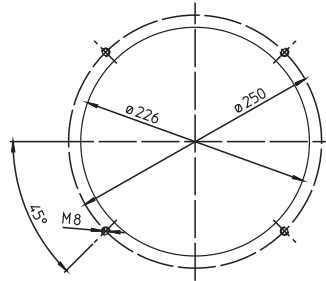
60 Hz



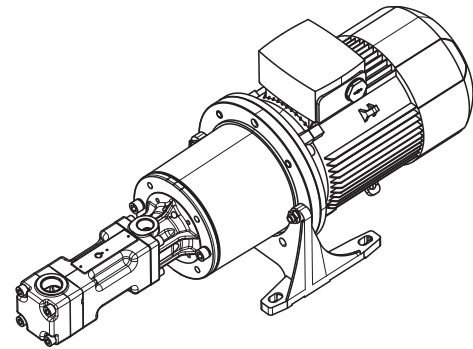
安装孔形式

BFS1 / BFS2

TFS1 / TFS2

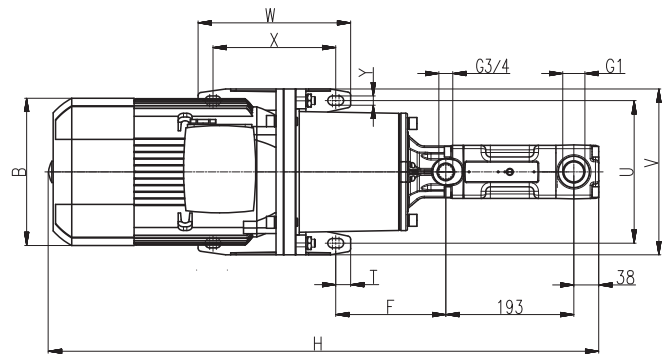
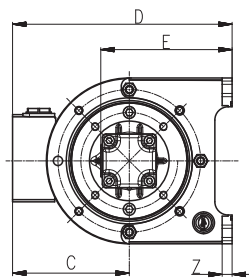


所有角落
必须排除!
根据
ISO 2768-m



*) 4 极标准尺寸
电机请洽询

L = 泄漏孔
S = 安装板, 请参考
去除安装孔



| 功率 2 极 kW | A mm | B mm | C mm |
|----------------------|---------|---------|---------|
| B 1.49 / 1.75 | 415 | 176 | 130 |
| B 1.95 | 441 | 176 | 130 |
| B 2.18 / 2.55 / 2.94 | 474 | 176 | 130 |
| B 3.45 / 3.8 / 4.55 | 513 | 218 | 150 |
| B 5.75 / 6.3 | 543 | 218 | 150 |
| B 6.9 / 7.48 | 584 | 258 | 193 |
| B 8.6 / 10.3 | 622 | 258 | 193 |
| B 12.6 | 630 | 310 | 240 |

| 功率 2 极 kW | 功率 4 极 kW | B mm | C mm | D mm | E mm | F mm | H mm | T mm | U mm | V mm | W mm | X mm | Y mm | Z mm |
|-----------------|-------------------------|---------|---------|---------|---------|---------|---------|---------|---------|---------|---------|---------|---------|---------|
| - | 0.75 / 0.86 | 159 | 121 | 233 | 155 | 138 | 776 | 15 | 180 | 210 | 90 | 60 | 11 | 12 |
| 1.5 / 1.75 | 1.1 / 1.27 / 1.5 / 1.75 | 178 | 126 | 238 | 155 | 138 | 746 | 15 | 180 | 210 | 90 | 60 | 11 | 12 |
| 2.2 / 2.54 | - | 159 | 121 | 233 | 155 | 138 | 736 | 15 | 180 | 210 | 90 | 60 | 11 | 12 |
| 3.0 / 3.45 | 2.2 / 2.55 / 3.0 / 3.45 | 178 | 126 | 238 | 155 | 138 | 786 | 15 | 180 | 210 | 90 | 60 | 11 | 12 |
| 3.7 / 4.55 | 3.7 / 4.55 | 198 | 166 | 321 | 198 | 166 | 846 | 22.5 | 215 | 250 | 230 | 185 | 14 | 15 |
| 5.5 / 6.3 | - | 222 | 177 | 332 | 198 | 166 | 830 | 22.5 | 215 | 250 | 230 | 185 | 14 | 15 |
| 7.5 / 8.6 | 5.5 / 6.3 | 262 | 202 | 387 | 228 | 171 | 882 | 22.5 | 265 | 300 | 270 | 225 | 14 | 18 |
| 11.0 / 12.6 | - | 262 | 202 | 387 | 228 | 171 | 932 | 22.5 | 265 | 300 | 270 | 225 | 14 | 18 |
| | | 314 | 237 | 472 | 278 | 210 | 1051 | 20 | 300 | 350 | 305 | 265 | 18 | 18 |

BFS2, FFS2

螺杆



| 2 极电机 转速 3500 RPM | | | | | | | | | 4 极电机 转速 1750 RPM | | | | | | | |
|----------------------|------------------------------------|--------------------------|-------------------------|--------------------------|------------|------|-------------|-----|------------------------------------|-------------------------|--------------------------|-------------------------|--------------------------|------|------|----|
| 最大 压力 | 流量 | | 功率消耗 | | 电机 沉水形式 | | 电机 脚安装形式 | | 重量 | 流量 | | 功率消耗 | | 电机 | | 重量 |
| | 1 mm ² /s | 20 mm ² /s | 1 mm ² /s | 20 mm ² /s | IE3 / NEMA | IE3 | NEMA | IE3 | | 1 mm ² /s | 20 mm ² /s | 1 mm ² /s | 20 mm ² /s | IE3 | NEMA | |
| 型号 / bar | l/min | l/min | kW | kW | kW | kW | kW | kg | l/min | l/min | kW | kW | kW | kW | kg | |
| BFS250/ | Q _{Th} ¹⁾ 49.2 | | - | - | - | - | - | - | Q _{Th} ¹⁾ 24.6 | | - | - | - | - | - | |
| 10 | 46.4 | 48 | 1.1 | 1.2 | B 1.75 | 1.75 | 2.2 | 40 | 21.8 | 23.4 | 0.5 | 0.6 | 0.86 | 0.75 | 31 | |
| 20 | 45.4 | 47.7 | 2.0 | 2.0 | B 2.55 | 2.54 | 3.0 | 45 | 20.8 | 23 | 1.0 | 1.0 | 1.27 | 1.5 | 33 | |
| 30 | 44.5 | 47.3 | 2.8 | 2.9 | B 3.45 | 3.45 | 3.7 | 58 | 19.9 | 22.7 | 1.4 | 1.4 | 1.75 | 2.2 | 35 | |
| 40 | 43.6 | 46.9 | 3.6 | 3.8 | B 4.55 | 4.55 | 5.5 | 59 | 19 | 22.3 | 1.8 | 1.9 | 2.55 | 2.2 | 46 | |
| 50 | 42.7 | 46.6 | 4.4 | 4.6 | B 5.75 | 6.3 | 5.5 | 64 | 18.1 | 21.9 | 2.2 | 2.3 | 2.55 | 3.0 | 46 | |
| 60 | 41.9 | 46.2 | 5.2 | 5.5 | B 5.75 | 6.3 | 7.5 | 64 | 17.3 | 21.6 | 2.6 | 2.7 | 3.45 | 3.0 | 46 | |
| 70 | 41.1 | 45.8 | 6.1 | 6.3 | B 8.6 | 8.6 | 7.5 | 94 | 16.5 | 21.2 | 3.0 | 3.2 | 3.45 | 3.7 | 46 | |
| 80 | 40.3 | 45.4 | 6.9 | 7.2 | B 8.6 | 8.6 | 11.0 | 94 | 15.7 | 20.8 | 3.4 | 3.6 | 4.55 | 3.7 | 50 | |
| 90 | 39.6 | 45.1 | 7.7 | 8.1 | B 8.6 | 8.6 | 11.0 | 94 | 14.9 | 20.4 | 3.8 | 4.0 | 4.55 | 5.5 | 50 | |
| 100 | 38.9 | 44.7 | 8.5 | 8.9 | B 10.3 | 12.6 | 11.0 | 100 | 14 | 20.1 | 4.2 | 4.5 | 6.3 | 5.5 | 82 | |
| 110 | 37.6 | 44.3 | 9.3 | 9.8 | B 10.3 | 12.6 | 11.0 | 100 | - | 19.7 | - | 4.9 | 6.3 | 5.5 | 82 | |
| 120 | 36.3 | 43.9 | 10.2 | 10.5 | B 12.6 | 12.6 | 11.0 | 122 | - | 19.3 | - | 5.3 | 6.3 | 5.5 | 82 | |
| 130 | 35.1 | 43.5 | 11.0 | 11.5 | B 12.6 | 12.6 | 15.0 | 122 | - | 18.9 | - | 5.8 | 6.3 | 7.5 | 82 | |
| 140 | 33.8 | 43.1 | 11.8 | 12.3 | B 15.0 | 17.3 | 15.0 | 122 | - | 18.5 | - | 6.2 | 8.6 | 7.5 | 82 | |
| 150 | 32.6 | 42.7 | 12.6 | 13.2 | B 15.0 | 17.3 | 15.0 | 122 | - | 18.1 | - | 6.6 | 8.6 | 7.5 | 82 | |
| BFS260/ | Q _{Th} ¹⁾ 59 | | - | - | - | - | - | - | Q _{Th} ¹⁾ 29.5 | | - | - | - | - | - | |
| 10 | 55.6 | 57.6 | 1.3 | 1.5 | B 2.18 | 2.54 | 2.2 | 45 | 26.1 | 28 | 0.6 | 0.7 | 1.27 | 1.1 | 33 | |
| 20 | 54.4 | 57 | 2.3 | 2.5 | B 3.45 | 3.45 | 3.0 | 58 | 24.9 | 27.5 | 1.1 | 1.3 | 1.75 | 1.5 | 35 | |
| 30 | 53.3 | 56.4 | 3.3 | 3.6 | B 4.55 | 4.55 | 5.5 | 59 | 23.8 | 26.9 | 1.6 | 1.8 | 2.55 | 2.2 | 46 | |
| 40 | 52.1 | 55.8 | 4.3 | 4.6 | B 5.75 | 6.3 | 5.5 | 64 | 22.6 | 26.3 | 2.1 | 2.3 | 2.55 | 3.0 | 46 | |
| 50 | 51 | 55.2 | 5.2 | 5.7 | B 6.3 | 6.3 | 7.5 | 64 | 21.5 | 25.7 | 2.6 | 2.9 | 3.45 | 3.0 | 46 | |
| 60 | 49.8 | 54.6 | 6.2 | 6.7 | B 8.6 | 8.6 | 7.5 | 94 | 20.3 | 25.1 | 3.1 | 3.4 | 4.55 | 3.7 | 50 | |
| 70 | 48.6 | 54 | 7.2 | 7.8 | B 8.6 | 8.6 | 11.0 | 94 | 19.1 | 24.5 | 3.6 | 3.9 | 4.55 | 5.5 | 50 | |
| 80 | 47.5 | 53.4 | 8.2 | 8.8 | B 10.3 | 12.6 | 11.0 | 100 | 18 | 23.9 | 4.1 | 4.4 | 6.3 | 5.5 | 82 | |
| 90 | 46.3 | 52.8 | 9.2 | 9.9 | B 12.6 | 12.6 | 11.0 | 122 | 16.8 | 23.2 | 4.6 | 5.0 | 6.3 | 5.5 | 82 | |
| 100 | 45.1 | 52.1 | 10.2 | 11.0 | B 12.6 | 12.6 | 15.0 | 122 | 15.7 | 22.6 | 5.1 | 5.5 | 6.3 | 5.5 | 82 | |
| 110 | 43.5 | 51.5 | 11.2 | 12.1 | B 12.6 | 12.6 | 15.0 | 122 | - | 22 | - | 6.0 | 6.3 | 7.5 | 82 | |
| 120 | 41.9 | 50.8 | 12.1 | 13.1 | B 15.0 | 17.3 | 15.0 | 122 | - | 21.3 | - | 6.6 | 8.6 | 7.5 | 82 | |
| 130 | 40.2 | 49.6 | 13.1 | 14.2 | B 15.0 | 17.3 | 15.0 | 122 | - | - | - | - | - | - | - | |
| 140 | 38.6 | 48.3 | 14.1 | 15.2 | - | 17.3 | 18.5 | 103 | - | - | - | - | - | - | - | |
| 150 | 37 | 47.1 | 15.1 | 16.3 | - | 17.3 | 18.5 | 103 | - | - | - | - | - | - | - | |

¹⁾ Q_{Th}: 理论流量

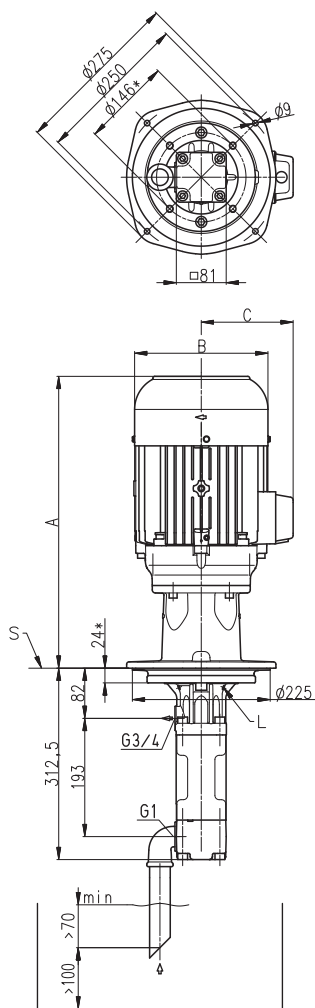
更高压力(最大 200 bar) 请洽询。

黏度 > 20 mm²/s 更大功率消耗。

特性和尺寸

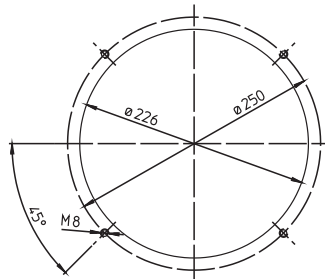
BFS2, FFS2

60 Hz

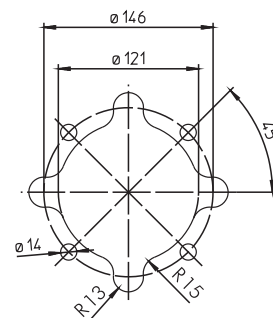


安装孔形式

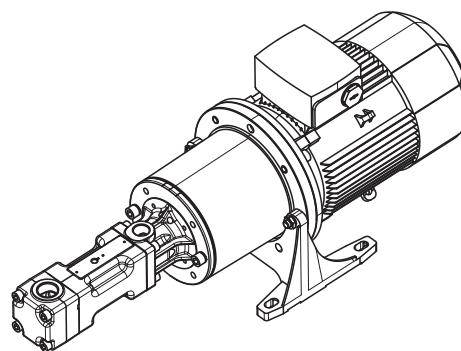
BFS1 / BFS2



TFS1 / TFS2

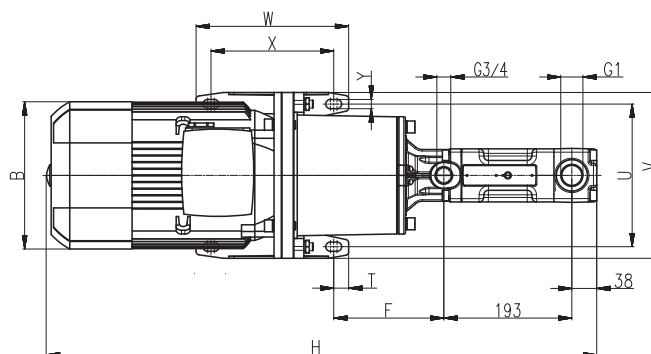
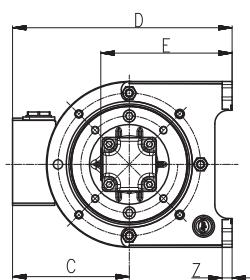


所有角落
必须排除!
根据
ISO 2768-m



*) 4 极标准尺寸
电机请洽询

L = 泄漏孔
S = 安装板, 请参考
去除安装孔



| 功率 2 极 kW | A mm | B mm | C mm |
|------------------|---------|---------|---------|
| B 1.75 | 415 | 176 | 130 |
| B 2.18 / 2.55 | 474 | 176 | 130 |
| B 3.45 / 4.55 | 513 | 218 | 150 |
| B 5.75 / 6.3 | 543 | 218 | 150 |
| B 8.6 / 10.3 | 622 | 258 | 193 |
| B 12.6 / 15.0 | 630 | 310 | 240 |

| 功率 2 极 kW | 功率 4 极 kW | B mm | C mm | D mm | E mm | F mm | H mm | T mm | U mm | V mm | W mm | X mm | Y mm | Z mm |
|---------------------------------|----------------------------|---------|---------|---------|---------|---------|---------|---------|---------|---------|---------|---------|---------|---------|
| - | 0.75 / 0.86 | 159 | 121 | 233 | 155 | 138 | 776 | 15 | 180 | 210 | 90 | 60 | 11 | 12 |
| 1.75 | 1.1 / 1.27 / 1.5 / 1.75 | 178 | 126 | 238 | 155 | 138 | 746 | 15 | 180 | 210 | 90 | 60 | 11 | 12 |
| 2.2 / 2.54 | - | 178 | 126 | 238 | 155 | 138 | 786 | 15 | 180 | 210 | 90 | 60 | 11 | 12 |
| 3.0 / 3.45 | 2.2 / 2.55 / 3.0 / 3.45 | 198 | 166 | 321 | 198 | 166 | 846 | 22.5 | 215 | 250 | 230 | 185 | 14 | 15 |
| 3.7 / 4.55 | 3.7 / 4.55 | 222 | 177 | 332 | 198 | 166 | 830 | 22.5 | 215 | 250 | 230 | 185 | 14 | 15 |
| 5.5 / 6.3 | - | 262 | 202 | 387 | 228 | 171 | 882 | 22.5 | 265 | 300 | 270 | 225 | 14 | 18 |
| 7.5 / 8.6 | 5.5 / 6.3 | 262 | 202 | 387 | 228 | 171 | 932 | 22.5 | 265 | 300 | 270 | 225 | 14 | 18 |
| - | 7.5 / 8.6 | 262 | 202 | 387 | 228 | 171 | 940 | 22.5 | 265 | 300 | 270 | 225 | 14 | 18 |
| 11.0 / 12.6 / 15.0 / 17.3 | - | 314 | 237 | 472 | 278 | 210 | 1051 | 20 | 300 | 350 | 305 | 265 | 18 | 18 |
| 18.5 | - | 314 | 237 | 472 | 278 | 210 | 1111 | 20 | 300 | 350 | 305 | 265 | 18 | 18 |