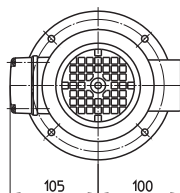
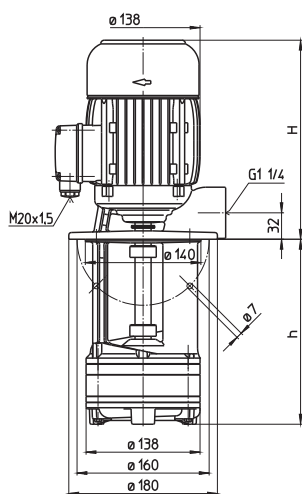


Immersion Pumps

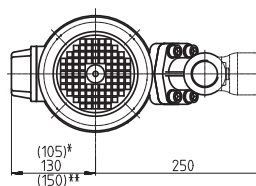
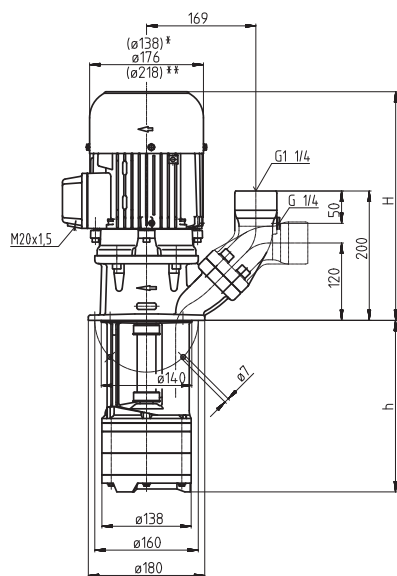
TE/STE141...146

Semi-open impellers

TE141, 142



STE141...146



*) Dimensions for STE141, 142
 **) Dimensions for STE146

Type	Vol. del. at manom. del. head l/min / m	Height H mm	Depth of immersion h mm	Weight kg	Power kW	Voltage 3 ~ V	Fre- quen- cy Hz	Current A	Speed 1/min
TE141/200	80/9	264	200	15.0	0.63	220-240	50	2.70	2850
	270		270	16.0					
	350		350	17.0	0.725	460	60	1.46	3425
	440		440	18.5					
	550		550	20.0					
TE142/150	80/20	291	150	16.5	1.1	220-240	50	4.33	2850
	230		230	18.0					
	300		300	18.5	1.27	460	60	2.4	3440
	380		380	19.5					
	470		470	21.0					
	580		580	23.0					
STE141/120	80/9	334	120	19.0	0.63	220-240	50	2.70	2850
	200		200	20.0					
	270		270	21.0	0.725	460	60	1.46	3425
	350		350	22.0					
	440		440	23.5					
550		550	25.0						
STE142/150	80/20	361	150	21.5	1.1	220-240	50	4.33	2850
	230		230	23.0					
	300		300	23.5	1.27	460	60	2.4	3440
	380		380	24.5					
	470		470	26.0					
	580		580	28.0					
STE143/190	80/33	406	185	32	1.7	220-240	50	6.24	2890
	270		265	33					
	340		335	34	1.95	460	60	3.5	3480
	420		415	35					
	510		505	36					
	620		615	38					
STE144/220	80/45	439	220	36	2.2	220-240	50	7.8	2890
	300		300	37					
	370		370	38	2.55	460	60	4.4	3480
	450		450	39					
	540		540	41					
	650		650	42					
STE145/270	80/56	439	270	40	2.6	220-240	50	9.30	2880
	350		350	41					
	420		420	42	2.94	460	60	5.1	3480
	500		500	43					
	590		590	44					
	700		700	46					
STE146/300	80/70	478	305	52	4.0	220-240	50	14.50	2920
	380		385	53					
	450		455	54	4.55	460	60	7.9	3520
	530		535	55					

Immersion Pumps

are plain centrifugal pumps with the impeller fitted on the driving shaft extension. They are mounted on top of the container, the pump extension being immersed in the coolant.

The dimensions are based on standard specification **EN 12157**.

The maximum coolant level must stay a few mm/inches below the mounting flange.

The STE serie offers a **(SAE) flange** with pressure gauge connection port.

The flange can be rotated for either horizontal or vertical pipe connections.



All types are also available as quick-suctioning immersion pumps equipped with "BRINKMANN's Suction De-aeration System". See series TL/STL.

Applications

Types of fluid
coolants
cooling/cutting oils

Kinematic viscosity
...45 mm²/s (45 cSt)

Pumping temperature
0...60° C

Construction

Pump body
Cover
cast iron
cast iron
PPS (TE141, STE141)

Impellers
Shaft
PPS
steel

Optional:
Cover
cast iron (TE141, STE141)

Suction cover
Impellers
with threaded inlet
brass

Other materials
cast steel
on request

Noise level

TE141...STE142 60 dBA

STE143...STE145 68 dBA

STE146 73 dBA

