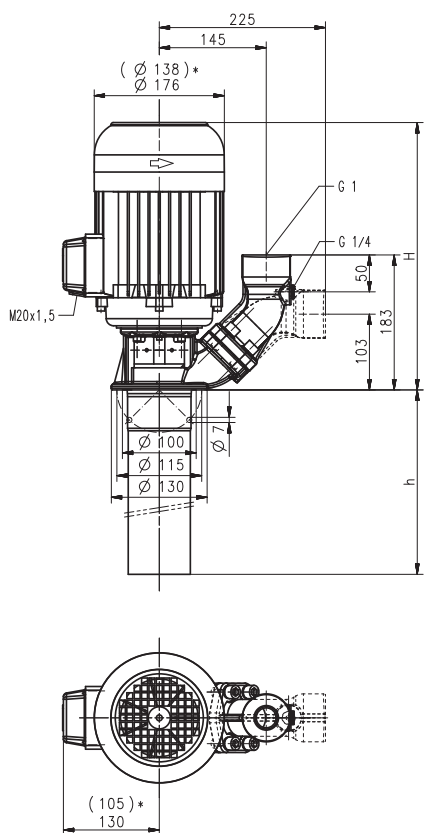


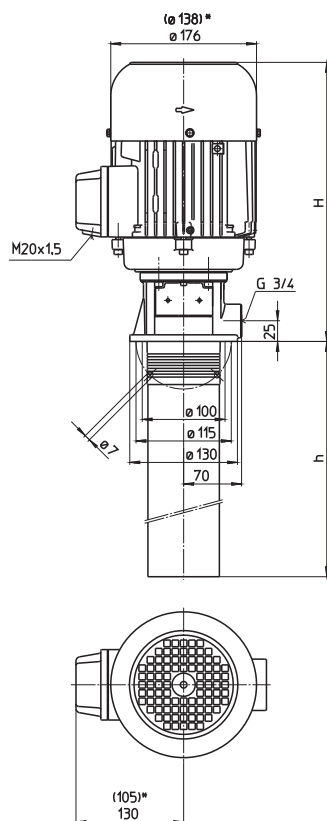
# Immersion Pumps (S)TC25

## Closed impellers

### STC25/260...810



### TC25/260...810



\*) Dimensions for (S)TC25/260...805

Type	Vol. del. at manom. del. head l/min / m	Height H mm	Depth of im- mersion h mm	Weight kg	Power kW	Voltage 3~ V	Fre- quen- cy Hz	Current A	Speed 1/min
(S)TC25/260	10/28	276	260	11	0.48	220-240 380-415	50 50	2.06 1.19	2820 2820
					0.55	460	60	1.14	3405
(S)TC25/340	10/40	276	335	12	0.48	220-240 380-415	50 50	2.06 1.19	2820 2820
					0.55	460	60	1.14	3405
(S)TC25/430	10/60	317	430	14	0.63	220-240 380-415	50 50	2.70 1.56	2850 2850
					0.725	460	60	1.46	3425
(S)TC25/550	10/85	345	565	16.5	1.1	220-240 380-415	50 50	4.33 2.50	2850 2850
					1.27	460	60	2.4	3440
(S)TC25/805	10/110	345	810	18.5	1.1	220-240 380-415	50 50	4.33 2.50	2850 2850
					1.27	460	60	2.4	3440
(S)TC25/810	10/140	367	810	25	1.5	220-240 380-415	50 50	5.5 3.2	2880 2880
					1.75	460	60	3.1	3470

### Immersion Pumps

Our multistage pump models (S)TC25... (S)TC460 have been especially developed to supply **internally cooled tools** with coolant fluid.

**Closed impellers** provide optimal hydraulic efficiencies while minimizing power consumption.

A **frequency converter** can be supplied for **special applications** or for matching the pump characteristic to a specific duty point.

See page "Control/Regulation" in the Technical Information section of this catalog for further information.

**Extended length is possible.** See medium pressure pumps features within the technical information section.

### Applications

- Types of fluid
  - Industry water
  - coolants
  - cooling/cutting oils
- Kinematic viscosity
  - ...25 mm<sup>2</sup>/s (25 cSt)
- Pumping temperature
  - 0...60° C

### Construction

Pump body	cast iron
Pump shell	steel
Cover	PBTP
Intake strainer	steel
Impellers	PBTP
Shaft	steel
Mechanical seal	SiC
O-rings	Viton
Optional:	
Pump body	CrNi-steel
Threaded inlet	G 1 ¼

Noise level	
(S)TC25/260...(S)TC25/805	58 dBA
(S)TC25/810	63 dBA

