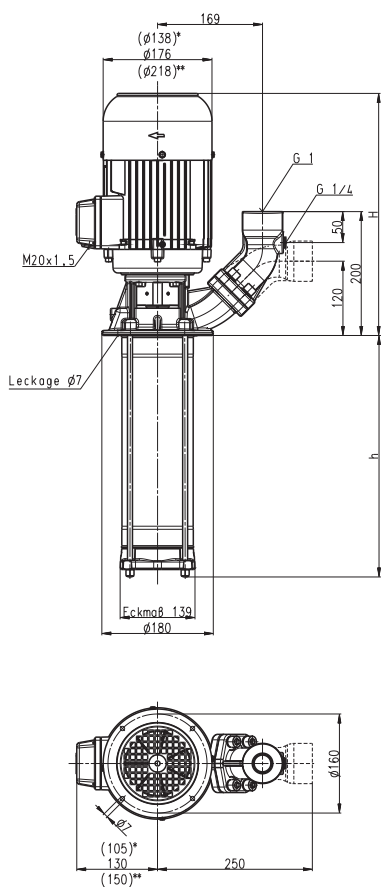


(S)TH4

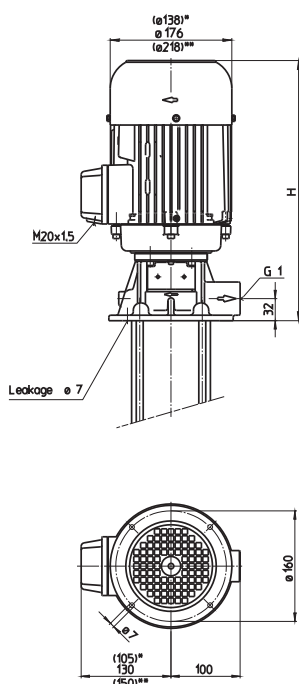
Closed impellers



STH403...424



TH403...424



*) Dimensions for (S)TH403...(S)TH408
 **) Dimensions for (S)TH419...(S)TH424

Type	Vol. del. at manom. del. head l/min / m	Height H mm	Depth of immersion h mm	Weight kg	Power kW	Voltage 3~ V	Fre- quen- cy Hz	Current A	Speed 1/min
(S)TH403B190	40/29	291	190	15.4	0.55	460	60	1.14	3405
(S)TH404B190	40/39	332	190	16.7	0.725	460	60	1.46	3425
(S)TH405B190	40/49	332	190	17.2	0.86	460	60	1.85	3440
(S)TH406B190	40/58	332	190	18.2	1.06	460	60	2.1	3440
(S)TH407B290	40/68	359	290	19.4	1.27	460	60	2.4	3440
(S)TH408B290	40/78			19.5					
(S)TH409B290	40/88	381	290	27	1.49	460	60	2.7	3500
(S)TH410B290	40/100	381	290	27.2	1.75	460	60	3.1	3470
(S)TH411B290	40/110	407	290	29.4	1.95	460	60	3.5	3480
(S)TH412B390	40/119		390	30.0					
(S)TH413B390	40/129	439	390	35	2.18	460	60	3.9	3500
(S)TH414B390	40/139	439	390	35.5	2.55	460	60	4.4	3480
(S)TH415B390	40/150			35.6					
(S)TH416B390	40/159	439	390	36.0	2.94	460	60	5.1	3480
(S)TH417B490	40/170		490	36.1					
(S)TH418B490	40/179			36.2					
(S)TH419B490	40/192	432	490	47.9	3.8	460	60	6.4	3520
(S)TH420B490	40/202			48.0					
(S)TH421B490	40/214			48.1					
(S)TH422B590	40/224		590	48.3					
(S)TH423B590	40/233	432	590	49.5	4.55	460	60	7.9	3520
(S)TH424B590	40/242			49.7					

Immersion Pumps

series TH and FH use **closed impellers** in order to minimize power consumption and to optimize hydraulic pump efficiencies.

In addition, the TH series offers high pressures at short immersion depths. Inline pumps of the series FH can be used as **boosting pumps** if provided with positive inlet pressure. This inlet pressure can be provided by the central coolant supply or a feed pump. In such a setup, pumps of the series FH can raise the incoming pressure by up to 26 bar.

Extended length is possible. See medium pressure pumps features within the technical information section.

Applications

- Types of fluid
 - Industry water
 - coolants
 - cooling/cutting oils
- Kinematic viscosity
 - 1 mm²/s (1 cSt)
 - higher viscosity upon request
- Pumping temperature
 - 0...80° C

Construction

Pump body	cast iron
Cover	cast iron
Impellers	CrNi-steel
Shaft	CrNi-steel
Diffusers	CrNi-steel
Mechanical seal	SiC
O-rings	Viton
Optional:	
Pump body	bronze
Cover	bronze
	CrNi-steel
Noise level	
(S)TH403...(S)TH408	61 dBA
(S)TH409...(S)TH418	66 dBA
(S)TH419...(S)TH424	75 dBA

