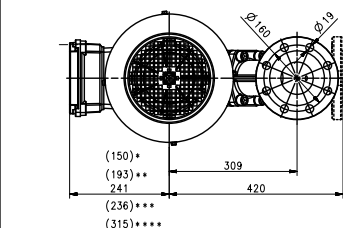
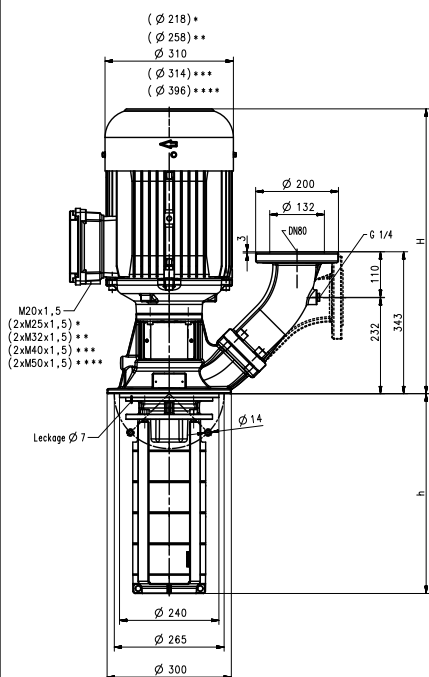


## STH28

Closed impellers

50 Hz

### STH28



- \*) Dimensions for 3 kW...6 kW
- \*\*) Dimensions for 7.5 kW...10.3 kW
- Dimensions for 11 kW
- \*\*\*) Dimensions for 15 kW...25.3 kW
- \*\*\*\*) Dimensions up 30 kW

Type	Vol. del. at manom. del. head l/min /m	Height H mm	Depth of immersion h mm	Weight kg	Power kW	Voltage 3~ V	Fre- quen- cy Hz	Current A	Speed 1/min
<b>STH2801-1A280</b>	1200/13	601	272	89	5.0	220-240	50	17.3	2920
						380-415	50	10.0	2920
<b>STH2801-0A280</b>	1200/18	601	272	89	5.5	220-240	50	18.9	2915
						380-415	50	10.9	2915
<b>STH2802-2A370</b>	1200/28	680	362	129	9.0	380-415	50	16.7	2955
<b>STH2802-0A370</b>	1200/39	688	362	151	11.0	380-415	50	20.1	2960
<b>STH2803-2A460</b>	1200/50	982	452	171	15.0	400	50	27	2960
<b>STH2803-0A460</b>	1200/61	1042	452	181	18.5	400	50	32	2955
<b>STH2804-2A550</b>	1200/73	1046	542	195	22.0	400	50	37.5	2950
<b>STH2804-0A550</b>	1200/83								
<b>STH2805-2A640</b>	1200/95	1125	632	305	30.0	400	50	53	2960
<b>STH2805-0A640</b>	1200/106								

## Immersion Pumps

series STH use **closed impellers** in order to minimize power consumption and to optimize hydraulic pump efficiencies. The STH series offers high pressures at short immersion depths.

A **frequency converter** can be supplied for **special applications** or for matching the pump characteristic to a specific duty point. See page "Control/Regulation" in the Technical Information section of this catalog for further information.

**Extended lengths are available.** See medium pressure pumps features within the technical information section.

## Applications

- Types of fluid
  - Industrial water
  - coolants
  - cooling/cutting oils
- Kinematic viscosity
  - higher viscosity upon request
- Pumping temperature
  - 0...80° C

## Construction

Pump body	cast iron
Cover	cast iron
Impellers	CrNi-steel
Shaft	CrNi-steel
Diffusers	CrNi-steel
Mechanical seal	SiC
O-rings	Viton
Noise level	
STH2801-1A...STH2801-0A	71 dBA
STH2802-2A...STH2802-0A	74 dBA
STH2803-2A...STH2805-0A	78 dBA

