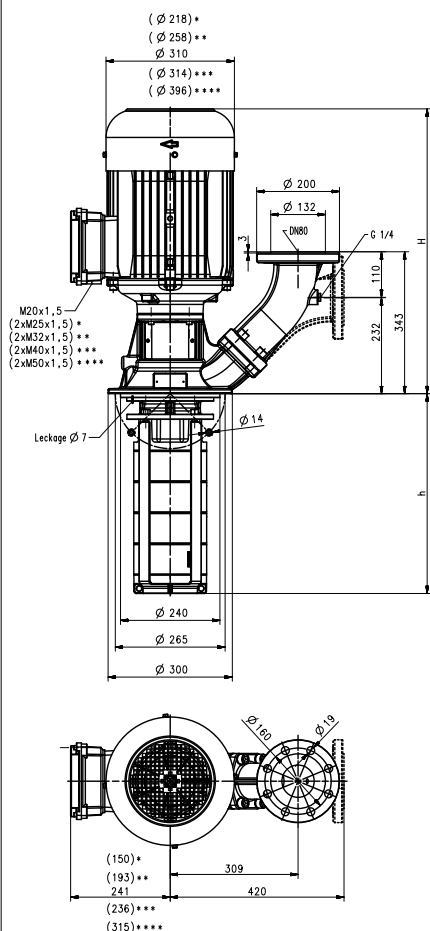


STH21

Closed impellers

60 Hz

STH21



- *) Dimensions for 5.75 kW...6.9 kW
- **) Dimensions for 8.6 kW...10.3 kW
- Dimensions for 12.6 kW
- ***) Dimensions for 15 kW...25.3 kW
- ****) Dimensions up 33.5 kW

Type	Vol. del. at manom. del. head l/min /m	Height H mm	Depth of immersion h mm	Weight kg	Power kW	Voltage 3~ V	Fre- quen- cy Hz	Current A	Speed 1/min
STH2101-1B260	900/20	601	257	87	5.75	460	60	9.5	3520
STH2101-0B260	900/26	601	257	87	6.3	460	60	10.4	3510
STH2102-2B340	900/44	680	332	126	10.3	460	60	15.8	3550
STH2102-0B340	900/59	688	332	147	15.0	460	60	23.6	3560
STH2103-2B410	900/76	982	407	167	17.3	460	60	27	3555
STH2103-0B410	900/89	1042	407	177	21.3	460	60	32	3555
STH2104-2B490	900/107	1046	482	191	25.3	460	60	37.5	3550
STH2104-0B490	900/121	1125	482	297	33.5	460	60	52	3555
STH2105-2B560	900/140		557	299					
STH2105-0B560	900/152								

Immersion Pumps

series STH use **closed impellers** in order to minimize power consumption and to optimize hydraulic pump efficiencies. The STH series offers high pressures at short immersion depths.

A **frequency converter** can be supplied for **special applications** or for matching the pump characteristic to a specific duty point. See page "Control/Regulation" in the Technical Information section of this catalog for further information.

Extended lengths are available. See medium pressure pumps features within the technical information section.

Applications

Types of fluid
coolants
cooling/cutting oils
Kinematic viscosity
...45 mm²/s (45 cSt)
Pumping temperature
0...90° C

Construction

Pump body	cast iron
Cover	cast iron
Impellers	CrNi-steel
Shaft	CrNi-steel
Mechanical seal	SiC
O-rings	Viton

Noise level

STH2101-1B...STH2101-0B	74 dBA
STH2102-2B	77 dBA
STH2102-0B	79 dBA
STH2103-2B...STH2105-0B	81 dBA

