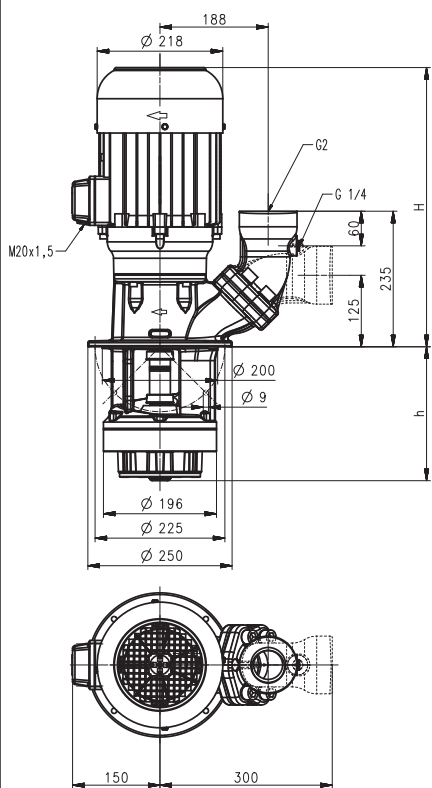


Cutter Pumps

SPC820

Axial/semi-open impellers

SPC820



Type	Vol. del. at manom. del. head l/min /m	Height H mm	Depth of immersion h mm	Weight kg	Power kW	Voltage 3~ V	Fre- quen- cy Hz	Current A	Speed 1/min
SPC820/230	400/10.5	503	232	71	3.3	220-240	50	11.6	2930
330			332	73					
460			462	75					
					3.8	460	60	6.4	3520



Cutter Pumps

The cutter pumps of the **series SPC** are designed to handle and reliably cut plastic chips (no bundles).

Because of the higher number of cutting blades which results in an increased cutting frequency all chips are being consistently cut in small pieces.

The SPC pumps are equipped with the user-friendly 45 degree **flange** connection which allows for either vertical or horizontal pipe connection and the connection of a pressure gauge with G 1/4.

For more information see lifting pumps features SXC/SPC within the technical information section.

Applications

Types of fluid
 coolants
 cooling/cutting oils
 Max. chip to coolant ratio by weight:
 0.3 %
 Chip material:
 Plastic
 Kinematic viscosity
 ...30 mm²/s (30 cSt)
 Pumping temperature
 0...60° C

Construction

Pump body	cast iron
Cover	cast iron
Impeller radial	cast steel
Cutting unit	Hardened (>60 HRC)
Shaft	steel

