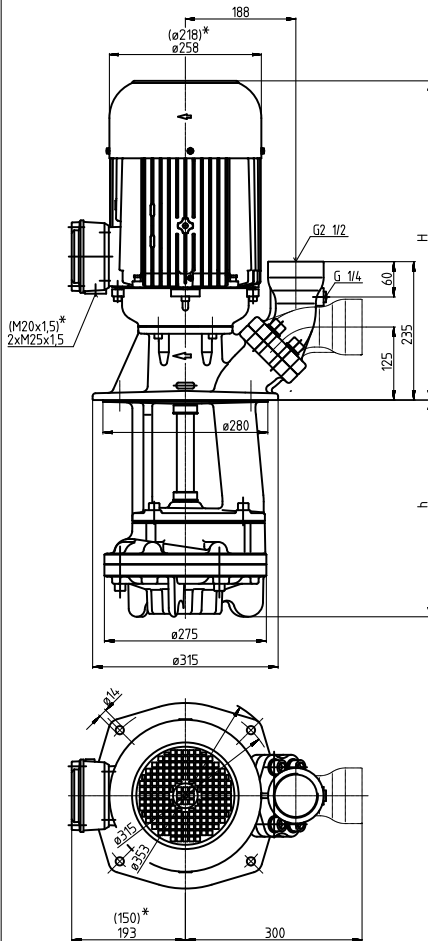


# Quick Suctioning Immersion Pumps

## SFL1350...2350

Axial/semi-open impellers

### SFL1350 ... 2350



\*) Dimensions for SFL1350  
Dimensions SFL2350 above flange as with SGL1402

Type	Vol. del. at manom. del. head l/min / m	Height H mm	Depth of im- mersion h mm	Weight kg	Power kW	Voltage 3 ~ V	Fre- quen- cy Hz	Current A	Speed 1/min
<b>SFL1350/310</b>	700/13	533	310	95	5.5	220-240	50	18.9	2915
440			99						
560			106						
810			122						
1060			131						
<b>SFL1550/310</b>	900/15	612	310	127	7.5	380-415	50	14.3	2950
440			132						
560			135						
810			154						
1060			163						
<b>SFL1850/310</b>	1150/15	612	310	134	9.0	380-415	50	16.7	2955
440			138						
560			142						
810			161						
1060			169						
<b>SFL2350/340</b>	1400/28	974	340	196	18.5	400	50	32	2955
470			201						
590			207						
840			222						
1090			231						

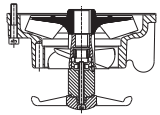
### Quick Suctioning Immersion Pumps

series SFL equipped with the patented "BRINKMANN's Suction De-aeration System" are excellently suited to pumping **extremely air entrained fluids** (emulsions) with **heavy chip loads** as they occur in heavy cutting when turning, milling or grinding.

The quick suctioning immersion pumps reach stable working conditions as soon as the liquid level reaches the suction inlet.

The SFL serie offers a **flange** with pressure gauge connection port.

The flange can be rotated for either horizontal or vertical pipe connections.



These pumps are available (upon request) with an additional agitator at the pump suction for breaking up and separating large bundles of chips.



### Applications

Types of fluid  
coolants  
cooling/cutting oils  
Max. chip to coolant ratio by weight:  
1.0 %  
Chip material:  
Aluminium, steel, coloured steels  
Kinematic viscosity  
...45 mm<sup>2</sup>/s (45 cSt)  
Pumping temperature  
0...80° C

### Construction

Pump body	cast iron
Cover	cast iron
Impeller axial	cast steel
Impeller radial	cast steel
Shaft	steel
Optional:	
Pump unit	with wear resistant wetted parts
Execution CM1	
Impeller radial	CrMo-steel
Execution CM3	
Cover	CrMo-steel
Impeller axial	CrMo-steel
Impeller radial	CrMo-steel

