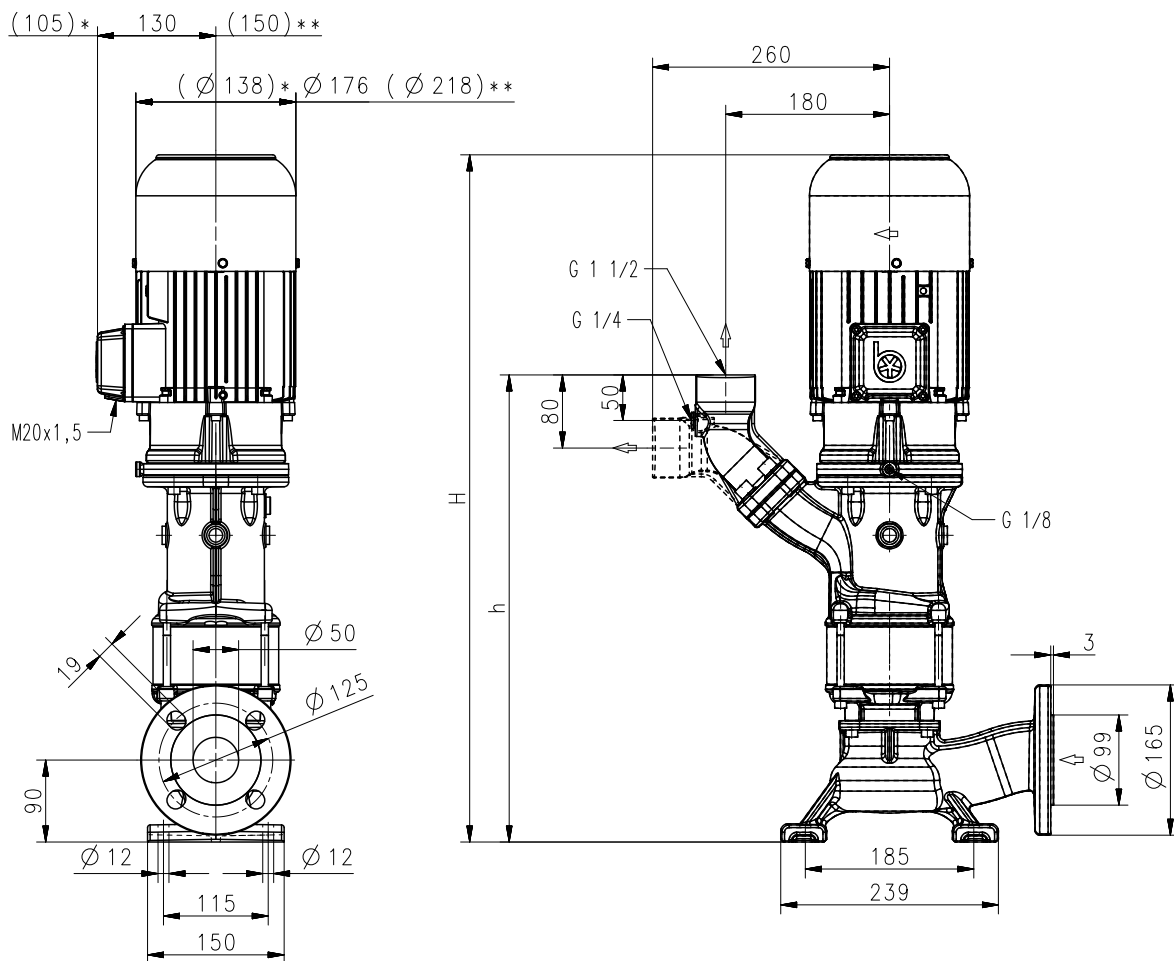


# Vertical End Suction Pumps

## SBG501...503-V

Axial/semi-open impellers

### SBG501...503-V



\*) Dimensions for SBG501-V  
 \*\*) Dimensions for SBG503-V

Type	Vol. del. at manom. del. head l/min /m	Dimensions		Weight kg	Power kW	Voltage 3 ~ V	Fre- quen- cy Hz	Current A	Speed 1/min
		H mm	h mm						
SBG501-V	250/5.5	614	449	34	1.1	220-240	50	4.33	2850
						380-415	50	2.50	2850
					1.27	460	60	2.4	3440
SBG502-V	250/13	756	513	49	2.2	220-240	50	7.8	2890
						380-415	50	4.5	2890
					2.55	460	60	4.4	3480
SBG503-V	250/21	859	577	64	3.3	220-240	50	11.6	2930
						380-415	50	6.7	2930
					3.8	460	60	6.4	3520

### Vertical End Suction Pumps

are centrifugal inline pumps with a compact design where the impeller is mounted onto the extended motor shaft. These pumps are not self-priming and must be gravity fed. All pumps are equipped with double mechanical seal. This pump series is designed for vertical installations next to a tank and for pumping **highly air entrained coolant and cutting oils**, as they occur in **high speed grinding applications**.

The SBG pumps are equipped with the user-friendly 45 degree **flange** connection which allows for either vertical or horizontal pipe connection and the connection of a pressure gauge with G 1/4.

For more information see mechanical features within the technical information section.

### Applications

Types of fluid  
coolants  
cooling/cutting oils  
grinding oils  
Kinematic viscosity  
...45 mm<sup>2</sup>/s (45 cSt)  
Pumping temperature  
0...80° C

### Construction

Pump body	cast iron
Cover	cast iron
Impeller axial	cast steel
Impeller radial	cast steel
Shaft	steel
Mechanical seal	SiC
Noise level	
SBG501-V	67 dBA
SBG502-V	70 dBA
SBG503-V	72 dBA

