

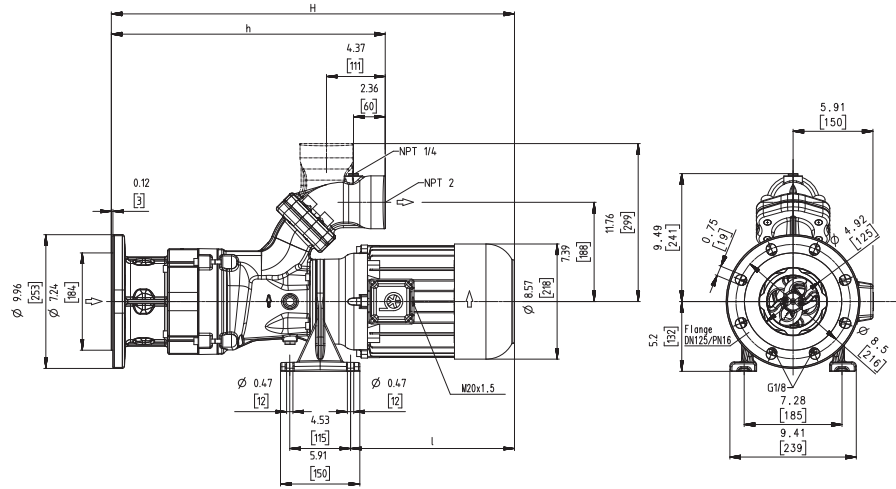
# Horizontal End-Suction Pumps

## SBC820S...1820S

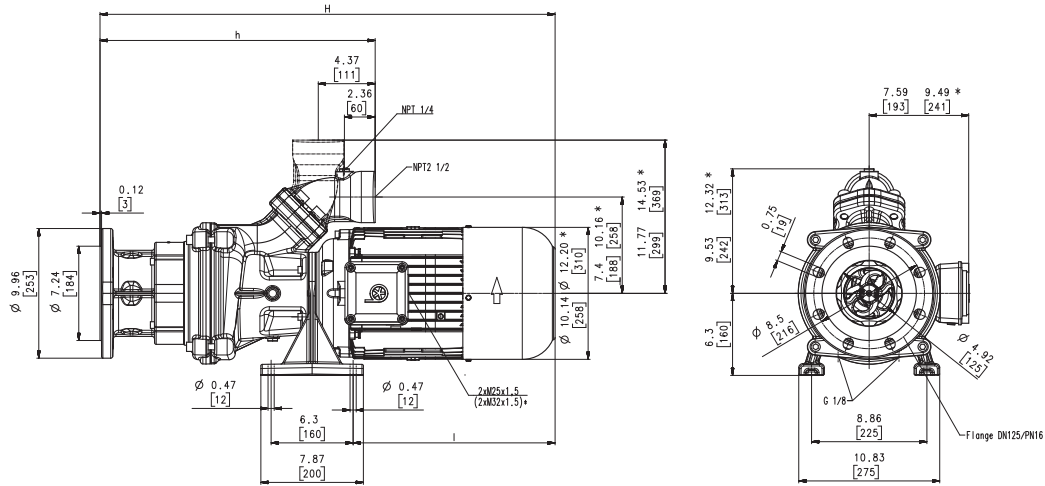
Axial/semi-open impellers



### SBC820S...1120S



### SBC1520S...1820S



Dimensions in Inches / mm

\*) Dimensions SBC1820S

Type	Flow at head		Dimensions		Length		Weight		Power HP kW	Voltage 3~ V	Fre- quen- cy Hz	Current AMPS	Speed RPM	
	GPM /Feet l/min /m	H inch	H mm	h inch	h mm	l Inch	l mm	Lbs						kg
<b>SBC820S</b>	125/30	30.7	780	20.4	518	12.9	328	187	85	6.1	230	60	15.8	3520
	480/9									4.55	460	60	7.9	3520
<b>SBC1120S</b>	175/30	31.9	810	20.4	518	14.1	358	196	89	8.4	230	60	20.8	3510
	690/9									6.3	460	60	10.4	3510
<b>SBC1520S</b>	200/49	35.7	906	21.1	537	16.3	414	291	132	11.5	230	60	27.8	3550
	800/14.5									8.6	460	60	13.9	3550
<b>SBC1820S</b>	225/67	36.0	915	23.9	608	16.6	422	359	163	16.9	230	60	39.2	3560
	900/19.5									12.6	460	60	19.6	3560



### Horizontal End-Suction Pumps

are centrifugal inline pumps with a compact design where the impeller is mounted onto the extended motor shaft. These pumps are not self-priming and must be gravity fed. All pumps are equipped with a single mechanical seal.

This pump series is designed for horizontal installations next to a tank and are capable of cutting aluminium chips and similar materials and pumping of these materials along with the coolant fluid. An agitator located at the pump suction helps to break up and separate any large bundles of chips or birds nests which reach the pump suction.

The hardened cutting unit (> 60 HRC) is cutting chips and the above located semi-open impeller allows with its large clearances to pump the particles along with the coolant fluid from the machine back to the filter. The SBC pumps are capable of handling chip to coolant ratios of up to 1.5% by weight.

The SBC pumps are equipped with the user-friendly 45 degree **flange** connection which allows for either vertical or horizontal pipe connection and the connection of a pressure gauge with NPT 1/4. For more information see mechanical features within the technical information section (SFC/SBC).



### Applications

- Types of fluid
  - coolants
  - cooling/cutting oils on request
- Max. chip to coolant ratio by weight: 1.5 %
- Chip material: Aluminium
- Chip geometry: Chip bundles to max. Ø 3.94 Inch (100 mm)
- Kinematic viscosity ...200 SSU (...45 mm<sup>2</sup>/s)
- Pumping temperature 30...175 °F (0...80 °C)

### Construction

Pump body	cast iron
Cover	cast iron
Impeller axial	cast steel
Impeller radial	cast steel
Cutting unit	Hardened (>60 HRC)
Agitator	Highly ductile
Shaft	steel
Mechanical seal	SiC
Noise level (Motor only; Tolerance +3 dBA)	
SBC820S...SBC1120S	76 dBA
SBC1520S	78 dBA
SBC1820S	79 dBA

