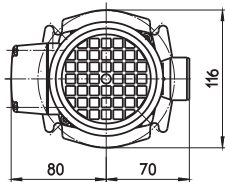
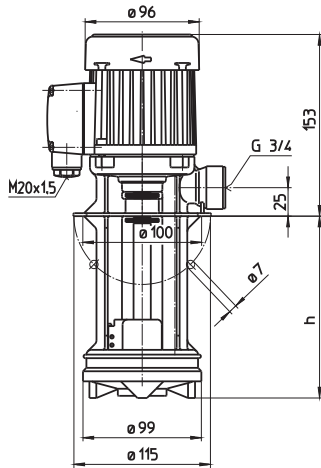


# Immersion Pumps in Plastics

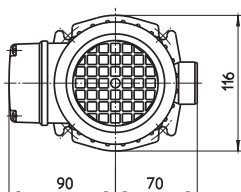
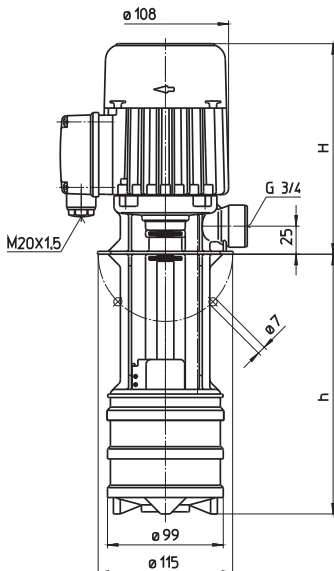
## KTF25...54, KTF81...83

### Semi-open impellers

#### KTF25, 40, 51



#### KTF52, 53, 54 KTF81, 82, 83



Type	Vol. del. at manom. del. head l/min / m	Height H mm	Depth of immersion h mm	Weight kg	Power kW	Voltage 3~ V	Fre- quen- cy Hz	Current A	Speed 1/min
<b>KTF25/120</b>	25/2	153	118	2.6	0.045	220-240	50	0.33	2800
	170		168	2.7					
	220		218	2.9	0.19	2800			
	270		268	3.0					
<b>KTF40/120</b>	25/3	153	118	2.6	0.055	220-240	50	0.35	2800
	170		168	2.7					
	220		218	2.9	0.20	2800			
	270		268	3.0					
<b>KTF51/120</b>	25/5	153	118	2.7	0.075	220-240	50	0.38	2700
	170		168	2.8					
	220		218	2.9	0.22	2700			
	270		268	3.0					
<b>KTF52/150</b>	25/9	197	151	3.3	0.17	220-240	50	0.92	2775
	200		201	3.5					
	250		251	3.6	0.53	2775			
	300		301	3.8					
<b>KTF53/190</b>	25/15	214	184	4.3	0.22	220-240	50	1.14	2800
	240		234	4.5					
	290		284	4.7	0.66	2800			
	340		334	4.9					
<b>KTF54/220</b>	25/20	239	217	5.2	0.32	220-240	50	1.58	2825
	270		267	5.5					
	320		317	5.7	0.91	2825			
<b>KTF81/120</b>	30/5	197	118	3.2	0.17	220-240	50	0.92	2775
	170		168	3.4					
	220		218	3.6	0.53	2775			
	270		268	3.8					
<b>KTF82/150</b>	30/10	214	151	3.9	0.22	220-240	50	1.14	2800
	200		201	4.1					
	250		251	4.3	0.66	2800			
	300		301	4.5					
<b>KTF83/190</b>	30/15	239	184	5.0	0.32	220-240	50	1.58	2825
	240		234	5.2					
	290		284	5.4	0.91	2825			
	340		334	5.6					
<b>KTF52/150</b>	0.195	460	60	0.49	3345				
	0.365	460	60	0.84	3400				
<b>KTF53/190</b>	0.255	460	60	0.62	3370				
	0.32	460	60	0.84	3400				
<b>KTF54/220</b>	0.365	460	60	0.84	3400				
	0.365	460	60	0.84	3400				

### Immersion Pumps in Plastics

series KTF are suitable for various **water supply problems**.

These pumps are also suitable for a wide range of **chemical liquids**.

No shaft seal is required, due to the construction.

### Applications

#### Types of fluid

Industry water; warm, cold, with and without chemical admixtures, distilled, de-ionnized

#### Kinematic viscosity

...12 mm<sup>2</sup>/s (12 cSt)

#### Pumping temperature

-10...+60° C

### Construction

Pump body	PPS
Cover	PP
Impellers	PPS
Shaft	1.4104

Optional: Shaft	CrMo
--------------------	------

Optional:  
These models are also available with **single phase motor**.

For more information see electrical features within the technical information section.

Noise level	
KTF25...KTF51	47 dBA
KTF52...KTF83	48 dBA

