

Operating Instructions

(Translation of original)

BRINKMANN pressure boosting pumps

FH2...FH6



Brinkmann Pumpen
K. H. Brinkmann GmbH & Co. KG
Friedrichstraße 2 D-58791 Werdohl
Tel.: +49-2392 / 5006-0
Fax.: +49-2392 / 5006-180

www.brinkmannpumps.de
sales@brinkmannpumps.de

Subject to change without prior notice.

Order - No. : BE4120 ENGLISH

Brinkmann pressure boosting pumps series FH2 ... FH6

Contents

1	Indication to the manual	2	9	Trouble shooter's guide.....	12
2	Description of product	2-8	10	Spare part	13-14
3	Safety instructions	9	11	Repair	14
4	Transport and storage	9	12	Disposal	14
5	Installation and Connection	10	13	EC declaration of conformity	15
6	Start up / Shut down.....	11			
7	Operation.....	11			
8	Servicing and Maintenance	11			

1 Indication to the manual

This operating manual gives basic instructions which are to be observed during installation, operation and maintenance of the pump. It is therefore imperative that this manual be read by the responsible personnel and operator prior to assembly and commissioning. It is always to be kept available at the installation site.

1.1 Identification of safety instructions in the operating manual

Safety instructions given in this manual non-compliance with which would affect **safety** are identified by the following symbol



Safety sign according with ISO 3864 – B.3.1

or where **electrical safety** is involved, with:



Safety sign according with ISO 3864 – B.3.6

Where non-compliance with the safety instructions may cause a risk to the machine and it's function the word

ATTENTION

is inserted.

2 Description of product

2.1 General description of the pump

Pumps of this type are multi-stage rotary pumps. Series FH use closed impellers in order to minimizing power consumption and to optimize hydraulic pump efficiencies.

The pump shaft and the motor shaft are connected by a coupling. The pump shaft is sealed by a rotating mechanical seal.

These Pumps are not self-priming.

Pump and motor form a compact and space-saving unit.

The pumps can be mounted next to the coolant tank or the lined-up pump.

2.2 Intended use

In combination with pre-pumps or central coolant supply pumps of series FH work as pressure booster up to 26 bar increase within the limiting application in accordance with table 1.

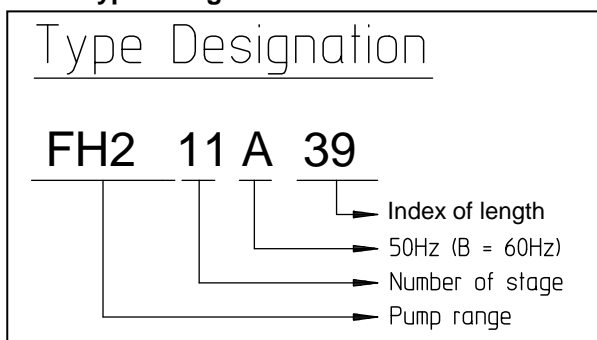
Limit of Application (Table 1)

Type	FH2...FH6	
Mediums	Industry water, cooling emulsions, cooling- and cutting-oils	
Kinetic viscosity of the medium	...25 mm ² /s	
Temperature of medium	0 ... 80 °C	
max. inlet pressure	26 bar	
max. operating pressure	54 bar	
Particle-size in the medium	1 mm	
min. delivery volume	1% of Q max.	
Dry running	The pumps are not suitable for dry running.	
Switching-on frequency per hour	Motors less 3 kW	max. 200
	from 3 kW to 4.0 kW	max. 40
	from 5.0 kW to 10.3 kW	max. 20
Ambient temperature	40 °C	
Set-up altitude	1000 m	

ATTENTION

The pumps are to be operated within their design limits. Applications outside of these limits are not approved. The manufacturer is not responsible for any damages resulting from use of the pumps in such applications.

2.3 Type Designation



50 Hz

Type	Max. del. pressure bar / spec. weight 1	Max. del. volume l/min	Height ¹⁾ H mm	Length ¹⁾ l mm	Weight kg	Power kW	Noise level ²⁾ dBA
FH203A19	1.9	36	488	197	16.9	0.45	58
FH204A19	2.2						
FH205A19	2.8						
FH206A29	3.4	4	588	297	17.6		
FH207A29	4						
FH208A29	4.4	38	588	297	19.0	0.54	58
FH209A29	5.0						
FH210A29	5.8						
FH211A39	6.2						
FH212A39	6.8	42	729	397	22.9	0.75	58
FH213A39	7.5						
FH214A39	8.2						
FH215A39	9.0	42	729	397	23.5	0.92	58
FH216A49	9.5						
FH217A49	10.0						
FH218A49	10.6						
FH219A49	11.2	45	856	497	28.1	1.1	58
FH220A49	11.8						
FH221A59	12.2	45	956	597	28.8		
FH222A59	12.8						
FH223A59	13.7	45	978	597	34.8	1.3	63
FH224A59	14.1						
FH225A59	14.8						
FH226A69	15.5	45	1078	697	35.9	1.5	63
FH227A69	16.0						
FH228A69	16.8						
FH229A69	17.5	45	1104	697	38.9	1.7	63
FH230A69	18						
FH231A79	18.5	45	1204	797	39.5		
FH232A79	19.0						
FH233A79	19.6						
FH234A79	20.2	45	1236	797	44.1	1.9	63
FH235A79	20.8						
FH236A89	21.5						
FH237A89	22.0	48	1336	897	46.7	2.2	63
FH238A89	22.6						
FH239A89	23.2						
FH240A89	24.0						

1) Dimensions in accordance with page 10

2) Noise emissions measured in accordance with
DIN 45635 at a distance of 1 m

The motor is surface-cooled and compliant with
DIN IEC 34 and EN 60034 (protection degree IP 55).

50 Hz

Type	Max. del. pressure bar / spec. weight 1	Max. del. volume l/min	Height ¹⁾ H mm	Length ¹⁾ l mm	Weight kg	Power kW	Noise level ²⁾ dBA
FH403A19	2.0	70	488	197	17.4	0.45	58
FH404A19	2.8				17.5		
FH405A19	3.8	72	488	197	17.9	0.54	58
FH406A29	4.2		588	297	18.0		
FH407A29	5.1	75	629	297	20.9	0.75	58
FH408A29	5.9				21.0		
FH409A29	6.6	75	629	297	22.5	0.85	58
FH410A29	7.3	80	629	297	23.0	0.92	58
FH411A39	8.0	80	756	397	24.6	1.1	58
FH412A39	8.8				24.8		
FH413A39	9.2	80	778	397	31.0	1.3	63
FH414A39	10.1	80	778	397	31.5	1.5	63
FH415A39	11.0				32.1		
FH416A49	11.9	85	904	497	34.5	1.7	63
FH417A49	12.5				34.9		
FH418A49	13.2	85	936	497	38.5	1.9	63
FH419A49	14.0				38.9		
FH420A49	14.8	85	936	497	39.5	2.2	63
FH421A59	15.6		1036	597	41.0		
FH422A59	16.2				41.3		
FH423A59	17.0	90	1036	597	41.7	2.6	63
FH424A59	17.8				42.0		
FH425A59	18.6				42.8		
FH426A69	19.2		1136	697	43.0		
FH427A69	20.0				43.3		
FH428A69	20.8	90	1129	697	54.2	3.0	71
FH429A69	21.7				54.3		
FH430A69	22.4	90	1129	697	55.8	3.3	71
FH431A79	23.2		1229	797	56.6		
FH432A79	24.0				57.0		
FH433A79	24.8	90	1229	797	58.1	4.0	71
FH434A79	25.4				58.3		
FH435A79	26.0				58.5		

1) Dimensions in accordance with page 10

2) Noise emissions measured in accordance with
DIN 45635 at a distance of 1 m

The motor is surface-cooled and compliant with
DIN IEC 34 and EN 60034 (protection degree IP 55).

50 Hz

Type	Max. del. pressure bar / spec. weight 1	Max. del. volume l/min	Height ¹⁾ H mm	Length ¹⁾ l mm	Weight kg	Power kW	Noise level ²⁾ dBA
FH603A19	2.0	140	488	197	17.5	0.54	58
FH604A19	2.8	140	529	197	20.5	0.75	58
FH605A24	3.8		579	247	20.8		
FH606A24	4.2	140	579	247	21.4	0.92	58
FH607A29	5.2	140	656	297	22.5	1.1	58
FH608A29	6.0	140	678	297	29.0	1.3	63
FH609A34	6.8	145	728	347	30.0	1.5	63
FH610A34	7.6				30.2		
FH611A39	8.1	150	804	397	33.0	1.7	63
FH612A39	9.0	150	836	397	37.0	1.9	63
FH613A49	9.8	150	936	497	39.0	2.2	63
FH614A49	10.4				39.1		
FH615A49	11.2				39.2		
FH616A49	12.0	160	936	497	39.8	2.6	63
FH617A59	12.8		1036	597	40.4		
FH618A59	13.2				40.6		
FH619A59	14.1	160	1029	597	52.0	3.3	71
FH620A59	15.1				52.1		
FH621A69	16.0		1129	697	53.5		
FH622A69	16.8	170	1129	697	54.6	4.0	71
FH623A69	17.6				54.8		
FH624A69	18.1				55.0		
FH625A79	19.0		1229	797	56.2		
FH626A79	19.8				56.4		
FH627A79	20.5	170	1259	797	63.0	5.0	71
FH628A79	21.2				63.2		
FH629A89	22.0		1359	897	64.9		
FH630A89	22.8				65.1		
FH631A89	23.5				65.3		
FH632A89	24.2				65.5		

1) Dimensions in accordance with page 10

2) Noise emissions measured in accordance with
DIN 45635 at a distance of 1 m

The motor is surface-cooled and compliant with
DIN IEC 34 and EN 60034 (protection degree IP 55).

60 Hz

Type	Max. del. pressure bar / spec. weight 1	Max. del. volume l/min	Height ¹⁾ H mm	Length ¹⁾ l mm	Weight kg	Power kW	Noise level ²⁾ dBA
FH203B19	2.4	40	488	197	16.9	0.45	61
FH204B19	3.4				17.0		
FH205B19	4.1	42	488	197	17.4	0.54	61
FH206B29	5.1				17.9		
FH207B29	6	45	629	297	22.0	0.86	61
FH208B29	7.0				22.1		
FH209B29	7.8				22.2		
FH210B29	8.8	45	629	297	23.3	0.98	61
FH211B39	9.6	48	729	397	24.0	1.06	61
FH212B39	10.2				24.1		
FH213B39	11.2				24.2		
FH214B39	12.0	48	756	397	25.4	1.27	61
FH215B39	12.8				25.5		
FH216B49	13.8	50	878	497	31.0	1.49	66
FH217B49	14.5	50	878	497	33.2	1.75	66
FH218B49	15.5				33.3		
FH219B49	16.4				33.4		
FH220B49	17.2	52	904	497	35.5	1.95	66
FH221B59	18.0				36.5		
FH222B59	19.0	55	1036	597	40.4	2.18	66
FH223B59	19.9				40.5		
FH224B59	20.8	55	1036	597	41.2	2.55	66
FH225B59	21.8				41.4		
FH226B69	22.5				42.0		
FH227B69	23.2		1136	697	42.1		
FH228B69	24.1	55	1136	697	43.1	2.94	66
FH229B69	25.0				43.3		
FH230B69	26.0				43.5		

1) Dimensions in accordance with page 10

2) Noise emissions measured in accordance with
DIN 45635 at a distance of 1 m

The motor is surface-cooled and compliant with
DIN IEC 34 and EN 60034 (protection degree IP 55).

60 Hz

Type	Max. del. pressure bar / spec. weight 1	Max. del. volume l/min	Height ¹⁾ H mm	Length ¹⁾ l mm	Weight kg	Power kW	Noise level ²⁾ dBA
FH403B19	3.2	84	488	197	17.9	0.54	61
FH404B19	4.2	84	529	197	20.2	0.86	61
FH405B19	5.3				20.3		
FH406B29	6.2	88	629	297	21.2	1.06	61
FH407B29	7.6	88	656	297	22.4	1.27	61
FH408B29	8.3				22.5		
FH409B29	9.5	92	678	297	30.0	1.49	66
FH410B29	10.6	92	678	297	30.2	1.75	66
FH411B39	11.8	95	804	397	32.4	1.95	66
FH412B39	12.8				33.0		
FH413B39	13.9	95	836	397	38.0	2.18	66
FH414B39	15.0	100	836	397	38.5	2.55	66
FH415B39	16.0				38.6		
FH416B49	17.1	100	936	497	39.0	2.94	66
FH417B49	18.1				39.1		
FH418B49	19.2				39.2		
FH419B49	20.2	105	929	497	50.9	3.8	75
FH420B49	21.8				51.0		
FH421B59	22.5		1029	597	51.1		
FH422B59	23.8				51.3		
FH423B59	24.8	105	1029	597	55.5	4.55	75

1) Dimensions in accordance with page 10

2) Noise emissions measured in accordance with
DIN 45635 at a distance of 1 m

The motor is surface-cooled and compliant with
DIN IEC 34 and EN 60034 (protection degree IP 55).

60 Hz

Type	Max. del. pressure bar / spec. weight 1	Max. del. volume l/min	Height ¹⁾ H mm	Length ¹⁾ l mm	Weight kg	Power kW	Noise level ²⁾ dBA
FH603B19	3.2	170	529	197	19.9	0.86	61
FH604B19	4.2	170	529	197	21	1.06	61
FH605B24	5.2	170	606	247	22	1.27	61
FH606B24	6.2	175	628	247	28	1.75	66
FH607B29	7.8	175	704	297	32	1.95	66
FH608B29	8.4	185	736	297	35	2.18	66
FH609B34	9.8	185	786	347	38	2.55	66
FH610B34	10.8	195	786	347	39	2.94	66
FH611B39	12.0		836	397	39.6		
FH612B39	13.0	195	829	397	52.3	3.45	75
FH613B49	14.0	195	929	497	53.2	3.8	75
FH614B49	15.2				53.5		
FH615B49	16.2	200	929	497	55.6	4.55	75
FH616B49	17.8				55.8		
FH617B59	18.4		1029	597	56.3		
FH618B59	19.8	200	1059	597	60.3	5.75	75
FH619B59	20.8				60.4		
FH620B59	22.0				60.5		
FH621B69	23.0		1159	697	61.2		
FH622B69	24.0				61.3		
FH623B69	25.2	210	1159	697	64.5	6.3	75
FH624B69	26.2				64.7		

1) Dimensions in accordance with page 10

2) Noise emissions measured in accordance with
DIN 45635 at a distance of 1 m

The motor is surface-cooled and compliant with
DIN IEC 34 and EN 60034 (protection degree IP 55).

3 Safety instructions

When operating the pump, the safety instructions contained in this manual, the relevant national accident prevention regulations and any other service and safety instructions issued by the plant operator are to be observed.

3.1 Hazards in the event of non-compliance with the safety instructions

Non-compliance with the safety instructions may produce a risk to the personnel as well as to the environment and the machine and results in a loss of any right to claim damages.

For example, non-compliance may involve the following hazards:

- Failure of important functions of the machines/plant
- Failure of specified procedures of maintenance and repair
- Exposure of people to electrical, mechanical and chemical hazards
- Endangering the environment due to hazardous substances being released

3.2 Unauthorized modes of operation



- Pump may not be used in potentially explosive environments!
- Pump and discharge piping are not designed to hold any weight and may not be used as a step ladder.

3.3 Remaining Risk



Risk of Injury!

Risk of squeezing or crushing body parts when installing or removing the pump exists. Proper and secured lifting tools must be used.

Risk of burns!

The pump must have cooled down sufficiently prior to commencing any repair, maintenance or installation.

3.4 Qualification and training of operating personnel

The personnel responsible for operation, maintenance, inspection and assembly must be adequately qualified. Scope of responsibility and supervision of the personnel must be exactly defined by the plant operator. If the staff does not have the necessary knowledge, they must be trained and instructed, which may be performed by the machine manufacturer or supplier on behalf of the plant operator. Moreover, the plant operator is to make sure that the contents of the operating manual are fully understood by the personnel.

3.5 Safety instructions relevant for operation

- If hot or cold machine components involve hazards, they must be guarded against accidental contact.
- Guards for moving parts (e.g. coupling) must not be removed from the machine while in operation.
- Any leakage of hazardous (e.g. explosive, toxic, hot) fluids (e.g. from the shaft seal) must be drained away so as to prevent any risk to persons or the environment. Statutory regulations are to be complied with.
- Hazards resulting from electricity are to be prevented (see for example, the VDE Specifications and the bye-laws of the local power supply utilities).
- The pumps are only secured safely if properly attached to the floor and to the lined-up pump or tank.
- The female threads on the motor MUST NOT be used to lift the entire pump and motor assembly.

3.6 Safety instructions relevant for maintenance, inspection and assembly work

Any work on the machine shall only be performed when it is at a standstill, it being imperative that the procedure for shutting down the machine described in this manual be followed.

Pumps and pump units which convey hazardous media must be decontaminated.

On completion of work all safety and protective facilities must be re-installed and made operative again.

Prior to restarting the machine, the instructions listed under "Start up" are to be observed.

3.7 Signs on the pump

It is imperative that signs affixed to the machine, e.g.:

- arrow indicating the direction of rotation
- symbols indicating fluid connections be observed and kept legible.

3.8 Unauthorized alterations and production of spare parts

Any modification may be made to the machine only after consultation with the manufacturer. Using spare parts and accessories authorized by the manufacturer is in the interest of safety. Use of other parts may exempt the manufacturer from any liability.

4 Transport and storage

Protect the pump against damage when transporting.

The pumps may only be transported in a horizontal position and hooks or straps must be attached on the motor and pump end.

Do not use the pump shaft for connecting any transportation aids such as hooks or straps.

Pumps must be drained prior to their storage.

Store pump in dry and protected areas and protect it against penetration of foreign bodies.

Always store pump above the freezing point!

5 Installation and Connection

5.1 Mechanical installation

During any assembly or disassembly process the pumps must be secured against tipping through ropes for example at all times.

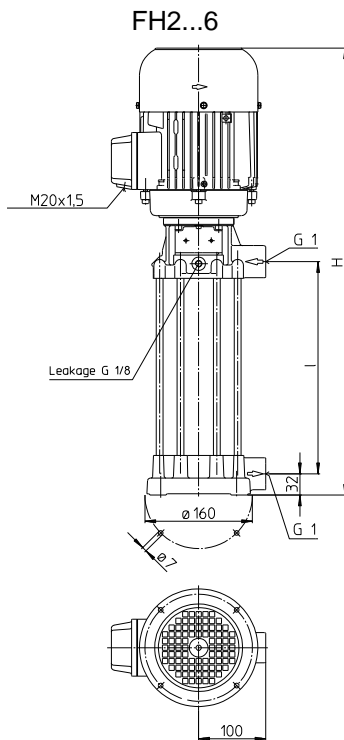
Pumps must be mounted securely. Piping, tank and pumps must be mounted without any tension.

The liquid entrance is situated at the pump body. The pressure connection is at the connection cover in the end of the pump unit (They are marked with arrows).

Possible leakage will be caught by a leakage chamber and returned to the tank by means of a leakage line from the leakage bore on the upper side of the flange.

To obtain the full flow rate it is recommended to choose for the pipework the nominal bore diameter of the pumps cross section for connection. Therefore pipe bends should be used, not pipe angles!

The pipework must be qualified for occurring hydraulic pressure.



ATTENTION

Pay attention of the max. tightening torque for piping connection

Type	Pipe connection	Cast iron	bronze
FH2...6	G 1	90 Nm	50 Nm

When installed the space around the pump must be large enough to provide sufficient cooling of the motor.

The suction port cannot support the weight of the supply pipe.

5.2 Electric wiring



All service work must be carried out by qualified service personnel. Pump must be disconnected from the power source and all rotating parts must stand still. Reassure that pump is disconnected from power source and cannot be switched on. Verify that there is no voltage at the terminal board!

According to the European Standard EN809 a motor overload must be installed and properly set to the full load amps stated on the pump nameplate.

It is the responsibility of the machine operator to decide whether or not an additional emergency switch must be installed.

5.2.1 Circuit

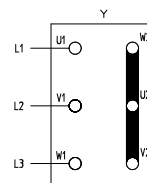


Tension voltage and frequency must correspond with the shown specification on the nameplate.

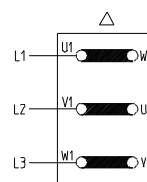
The pump must be wired so that a solid long term electrical connection is ensured. Establish a solid ground connection.

The electrical wiring must be performed according to the wiring diagram shown inside the terminal box cover. (Please see above sample wiring diagrams)

Wiring diagram e.g.



Star connection
3 x 400 V, 50 Hz
resp. 380-415 V, 50 Hz



Delta connection
3 x 230 V, 50 Hz
resp. 220-240 V, 50 Hz

There may be no foreign objects such as dirt, particles or humidity inside the terminal board.

Mount terminal board cover to motor tight against dust and humidity and close up all unused wiring ports.

ATTENTION

When Variable Frequency Drives are used interfering signals might occur.

Non-sinus shaped supply voltage from a variable frequency drive might result in elevated motor temperatures.

6 Start up / Shut down

6.1 Start up

ATTENTION

Switch off at the mains.

After connection the electrical wires, close the terminal box. Briefly start the motor (max. 30 sec.) and check the rotation according to the arrow on the top of the motor.

If the direction is incorrect change over two of the power leads.

6.2 Shut down

All service work must be carried out by qualified service personnel. Pump must be disconnected from the power source and all rotating parts must stand still. Reassure that pump is disconnected from power source and cannot be switched on. Verify that there is no voltage at the terminal board! Open terminal box and disconnect the power leads. Empty out the pump.

7 Operation

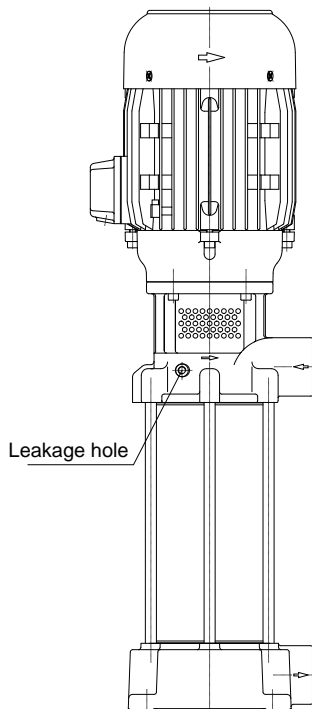
Liquid level

The valve on the suction side of the pump must be opened 1 or 2 seconds before starting up the pump to avoid the damage resulting from low pressure.

Do not switch on pressure boosting pump FH before positive inlet pressure by a primary pump or by a static head pressure (from a central filtration system) is established. Max. inlet pressure 26 bar.

CAUTION: avoid hydraulic shocks!

Care has to be taken that the pump station will not run empty.



If the pump should lock up and cease, shut pump down (see 6.2) and disconnect from power supply. Pump must be uninstalled and removed from the system prior to its repair.

8 Servicing and Maintenance

ATTENTION

The surface of the motor must be kept free of dirt.

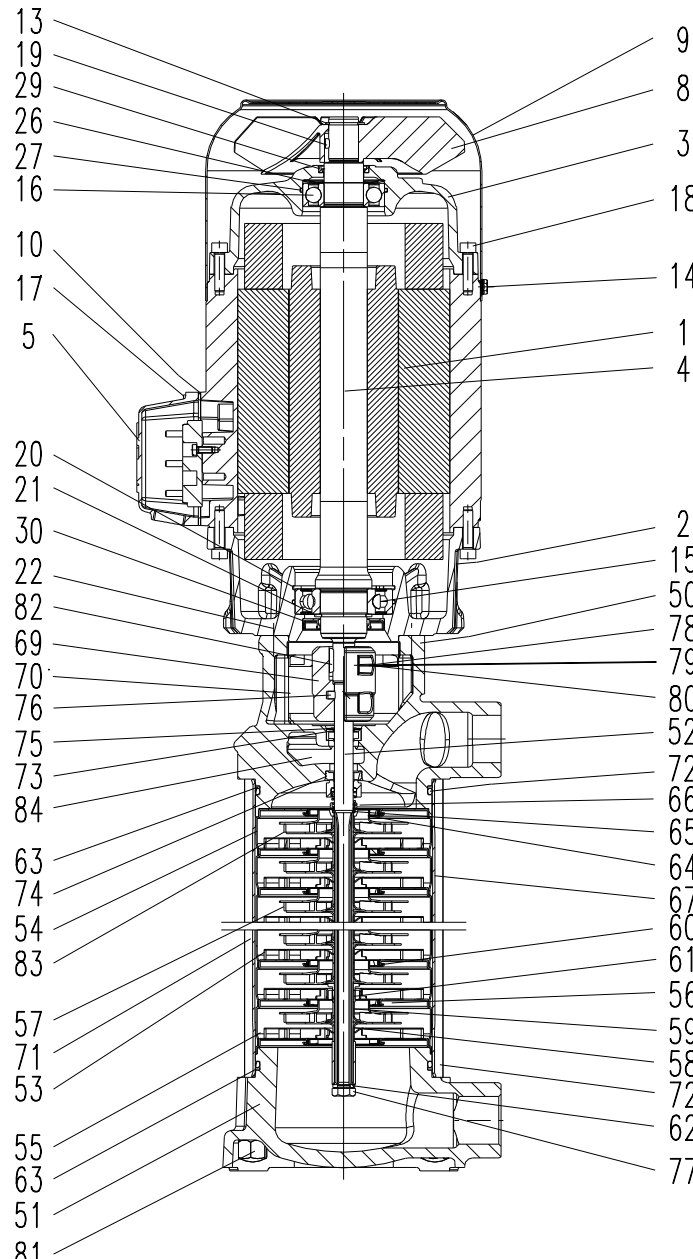
The motor shaft is spinning in permanently greased ball bearings (with special grease and increased bearing play) and does not require any special maintenance.

9 Trouble shooter's guide

Fault	Cause	Remedy
Motor does not start, no motor noise	At least two of the power supply leads have failed	Check fuses, terminals and supply leads .
	Overload has tripped	Inspect overload
Motor does not start, humming noise	One of the supply leads has failed	See above
	Impeller faulty Motor bearing faulty	Replace impeller Replace bearing
Overload trips	Pump locked up mechanically	Inspect pump hydraulics
	High on/of cycling frequency	Check application
Power consumption is too high	Wrong direction of rotation of impeller	See above
	Lime or other deposits mechanical friction	Clean pump mechanism repair pump
Motor overheats	High on/off cycling frequency Wrong power supply (voltage or cycles)	See above Power supply must correspond with name plate rating
	Insufficient cooling	Check air flow at motor fan
Pump does not pump	Pre-pump does not work	Check the pre-pump
	Pump mechanism faulty Pipe blocked	replace pump mechanism Clean pipe
Insufficient flow and pressure	Wrong direction of rotation of impeller	Change over two power supply leads
	Pump mechanism silted up Worn pump mechanism	Clean pump mechanism Replace pump mechanism
Incorrect flow or pressure	Wrong power supply (voltage or cycles)	Power supply must correspond with name plate rating
Running noise/Vibration	Foreign objects in pump end	Remove foreign objects
	Impeller damaged	Replace impeller
	Bearing/Bushing broken	Replace bearing/bushing

10 Spare part

10.1 Spare part list for pressure boosting pumps series FH2...FH6



Item	Description	DIN
1	Stator with terminal board	
2	Motor flange	
3	End shield	
4	Motor shaft with rotor	
5	Terminal box	
8	Fan	
9	Fan cover	
10	Gasket	
13	Retaining ring	
13	Retaining ring 1.3...2.6 kW	DIN 471
14	Thread rolling screw from 1.3 kW and over	DIN 7500
15	Ball bearing	DIN 625
15	Ball bearing 1.3...2.6 kW	DIN 628
16	Ball bearing	DIN 625
17	Slotted cheese head screw	DIN 84
18	Stud bolt with bond up to 1.1 kW	
18	Hexagon socket head cap screw From 1.3 kW and over	DIN 912
19	Parallel pin	DIN 7
20	Retaining ring	DIN 472
21	Retaining ring	DIN 471
22	Socket head cap screw	DIN 912
26	Compensation disk	
27	O-ring from 1.3 kW and over	
29	Rotary shaft seal from 0.75 and over	
30	Rotary shaft seal from 0.75 and over	
50	Pump body	
51	Connection cover	
52	Pump shaft	
53	Diffusor with sliding ring	
54	Entering stage with sliding ring	
55	Outflow stage	
56	Bearing stage with sliding ring	
57	Impeller	
58	Spacer-long 2 x per stage	
59	Spacer-short 1 x per bearing stage	
60	Sliding ring	
61	Shaft sleeve	
62	Supporting ring	
63	Spiral backup ring	
64	Mech. Seal stop ring cover	
65	Mech. seal stop half-ring	
66	Mech. seal stop ring	
67	Pump casing	
69	Clamp coupling	
70	Coupling shield with M5 screw	
71	Stud bolt	
72	O-ring	
73	Rotary shaft seal	
74	Mechanical seal	
75	Retaining ring	
76	Parallel pin	DIN 7
77	Hexagon head cap screw	DIN 933
78	Hexagon socket head cap screw	DIN 912
79	Serrated lock washer	DIN 6798
80	Hexagon nut	DIN 934
81	Hexagon cap nuts	DIN 917
82	Woodruff key	DIN 6888
83	Distance plate instead of impeller / 60 HZ	
84	Hexagon socket pipe plug	DIN 906

10.2 Indications to the spare part order

Spare parts are available from the supplier. Standard commercially available parts are to be purchased in accordance with the model type. The ordering of spare parts should contain the following details:

1. Pumptype

e.g. FH607A29

2. Pump No.

e.g. 09194120

The date of the construction year is a component of the pumps type number.

3. Voltage. Frequency and Power

Take item 1, 2 and 3 from the nameplate

4. Spare part with item No.

e.g. Impeller item No. 57

11 Repair

11.1 Exchange the rotary mechanical seal: FH2...FH6

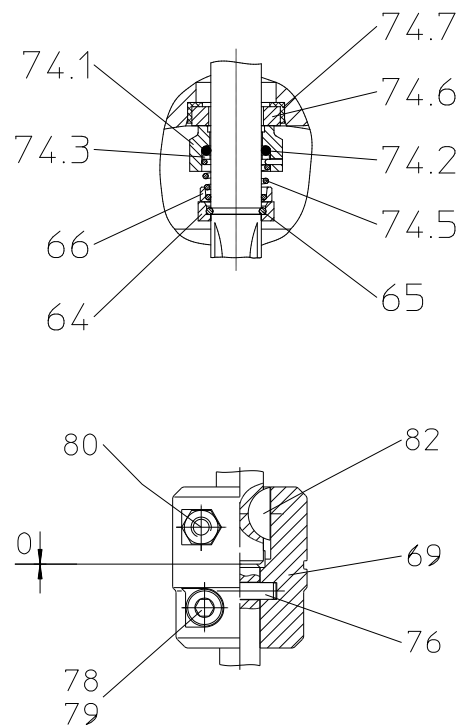
- 1) Disconnect the pump from the power supply.
- 2) Loosen the M5 screws and pull out coupling shield (70). Remove clamp coupling (69.1. 69.2) and parallel pin (76).
- 3) Loosen and pull off the hexagon cap nuts (81), the stud bolt (71), connection cover (51) and the pump casing (67) from the pump unit. Remove pump unit with pump shaft (52) from the pump body (50).
- 4) Take off rotating axial face seal unit (74.1-74.5) and mech. seal stop ring (66) from the shaft (52) and clean the shaft. Pay attention to the drilled hole for the parallel pin (76) that it is without any bur. Check the sliding surface for the rotary shaft seal (73) for any damage.
- 5) Remove complete seal (74.6. 74.7) from the pump body (50) and clean the seat.
- 6) Mounting of the new axial face seal :
Ensure that the sliding surfaces of the ring and the rotating axial face seal unit are free from grease and dirt.
Moisten the angle-sleeve (74.7) of the counter ring lightly with rinse water / (water with washing-up liquid) and push the unit into the seat of the pump body (50).
Slide mech. seal stop ring (66) first and then the axial face seal (74.5-74.1) (**single part**) onto the pump shaft (52)
- 7) Lubricate lightly the lip of the rotary shaft seal (73) and push it into the pump body (50). Then insert the pump shaft (52) with the pump unit through the rotary shaft seal (73).
- 8) Fit together the coupling clamp (69) with the parallel pin (76) around the shafts, tighten the hexagon socket head cap screws (78) with the serrated lock washer (79) lightly.
Be sure that the key of the motor shaft (4) coincides with the key groove of the coupling clamp (69.1). Press the pump shaft (52) toward the motor and tighten the screws.
The distance between the two shaft ends **must be zero**.

- 9) Lubricate the O-ring seal (72)
Put on the spiral-backup ring (63), the O-ring seal (72), the connection cover (51) and the pump casing (67) and screw evenly the stud bolt (71) and the hexagon cap nuts (81).
During the assembly from (63) and (72) take care of the order. See the pump drawing.
- 10) Fit the coupling shield (70) into the pump body (50) and tighten the M5 screws.
- 11) Reconnect pump to the power supply.

Check direction of rotation!

Tightening torques for screwed connections

Thread - Ø	M4	M5	M6	M8	M10
Strength classes	4.8	4.8	8.8	8.8	8.8
Tightening torque (Nm)	1 Nm	3 Nm	4.5 Nm 20 Nm Clamp coupling	15 Nm 30 Nm Clamp coupling	30 Nm



12 Disposal

When disposing of the pump or the packaging materials the local and national regulation for proper disposal must be complied with. Prior to its disposal, the pump must be completely drained and decontaminated if necessary.

13 EC declaration of conformity

DEUTSCH / ENGLISH / FRANÇAIS / ESPAÑOL



EG-Konformitätserklärung

EC declaration of conformity / Déclaration de conformité CE / Declaración de conformidad CE

Hersteller / Manufacturer / Constructeur / Fabricante

Brinkmann Pumpen, K. H. Brinkmann GmbH & Co. KG
Friedrichstraße 2, D-58791 Werdohl

Produktbezeichnung / Product name / Désignation du produit / Designación del producto

Druckerhöhungspumpen / Pressure Boosting Pumps / Pompes de surpression / Bombas de aumento la presión

Typ / Type / Tipo

FH2 ... FH6

Das bezeichnete Produkt stimmt mit den folgenden Richtlinien des Rates zur Angleichung der Rechtsvorschriften der EG-Mitgliedsstaaten überein:

The named product conforms to the following Council Directives on approximation of laws of the EEC Member States:
Le produit sus-mentionné est conforme aux Directives du Conseil concernant le rapprochement des législations des Etats membres CEE:

El producto designado cumple con las Directivas del Consejo relativas a la aproximación de las legislaciones de los Estados Miembros de la CEE:

2006/42/EG	Richtlinie für Maschinen
2006/42/EC	Council Directive for machinery
2006/42/CE	Directive du Conseil pour les machines
2006/42/CE	Directivas del Consejo para máquinas
2014/30/EU	Richtlinie für elektromagnetische Verträglichkeit
2014/30/EU	Council Directive for Electromagnetic compatibility
2014/30/UE	Directive du Conseil pour Compatibilité électromagnétique
2014/30/UE	Directivas del Consejo para Compatibilidad electromagnética

2011/65/EU und 2015/863/EU	RoHS Richtlinien
2011/65/EU and 2015/863/EU	RoHS Directives
2011/65/UE et 2015/863/UE	Directives RoHS
2011/65/UE y 2015/863/UE	RoHS Directivas

Folgende Ausnahmen gem. Anhang III RoHS (2011/65/EU) werden in Anspruch genommen: 6a, 6b.

The following exceptions in accordance with appendix III RoHS (2011/65/ EU) are claimed: 6a, 6b

Les exceptions suivantes selon l'annexe III RoHS (2011 / 65 / UE) sont revendiquées : 6a, 6b

Las siguientes excepciones conforme al apéndice III RoHS (2011/65 / UE) son requeridas: 6a, 6b

Hinsichtlich der elektrischen Gefahren wurden gemäß Anhang I Nr. 1.5.1 der Maschinenrichtlinie 2006/42/EG die Schutzziele der Niederspannungsrichtlinie 2014/35/EU eingehalten.

With respect to potential electrical hazards as stated in appendix I No. 1.5.1 of the machine guide lines 2006/42/EC all safety protection goals are met according to the low voltage guide lines 2014/35/EU.

Conformément à l'annexe I N° 1.5.1 de la Directive "Machines" (2006/42/CE) les objectifs de sécurité relatifs au matériel électrique de la Directive "Basse Tension" 2014/35/UE ont été respectés.

Con respecto al potencial peligro eléctrico como se indica en el apéndice I No. 1.5.1 del manual de la máquina 2006/42/CE, todos los medios de protección de seguridad se encuentran según la guía de bajo voltaje 2014/35/UE.

Die Übereinstimmung mit den Vorschriften dieser Richtlinien wird nachgewiesen durch die vollständige Einhaltung folgender Normen:

Conformity with the requirements of this Directives is testified by complete adherence to the following standards:

La conformité aux prescriptions de ces Directives est démontrée par la conformité intégrale avec les normes suivantes:

La conformidad con las prescripciones de estas directivas queda justificada por haber cumplido totalmente las siguientes normas:

Harmonisierte Europ. Normen / Harmonised Europ. Standards / Normes europ. harmonisées / Normas europ. Armonizadas

EN 809 :1998+A1 :2009+AC :2010 EN ISO 12100 :2010 EN 60204-1 :2018 EN 61000-3-2 :2014 EN 61000-3-3 :2013
EN 61000-6-2 :2005/AC :2005 EN 61000-6-3 :2007/A1 :2011/AC :2012 EN IEC 63000 :2018

Nationale Normen / National Standards / Normes nationales / Normas nacionales : **EN 60034-1 :2010/AC :2010**

Die Hinweise in der Betriebsanleitung für den Einbau und die Inbetriebnahme der Pumpe sind zu beachten.

The instructions contained in the operating manual for installation and start up the pump have to be followed.

Les indications d'installation / montage et de mise en service de la pompe prévues dans l'instruction d'emploi doivent être suivies.

Tenga en cuenta las instrucciones en el manual para la instalación y puesta en marcha de la bomba.

Brinkmann Pumpen, K. H. Brinkmann GmbH & Co. KG

Werdohl, 02.09.2019

Reimund Gidde
Geschäftsführer
Managing Director

Dr. H. Abou Dayé

K. H. Brinkmann GmbH & Co. KG
Friedrichstraße 2, D-58791 Werdohl

Dokumentationsbevollmächtigter / Representative of
documentation/ Mandataire de documentation /
Mandatario de documentación