

## BRINKMANN Immersion Pumps

### SFL550...1150



**Brinkmann Pumpen**  
**K. H. Brinkmann GmbH & Co. KG**  
Friedrichstraße 2 D-58791 Werdohl  
Tel.: +49-2392 / 5006-0  
Fax.: +49-2392 / 5006-180

[www.brinkmannpumps.de](http://www.brinkmannpumps.de)  
[sales@brinkmannpumps.de](mailto:sales@brinkmannpumps.de)

Subject to change without prior notice.

Order - No.: BE2870 ENGLISH

# Brinkmann Immersions pumps of the series SFL550...1150

## Contents

1	Indication to the manual .....	2	9	Trouble shooter's guide.....	7
2	Description of product .....	2-3	10	Spare part .....	8-9
3	Safety instructions .....	4	11	Repair .....	9
4	Transport and storage .....	4	12	Disposal .....	9
5	Installation and connection.....	5	13	Declarations of conformity.....	10-11
6	Start up / Shut down.....	6			
7	Operation.....	6			
8	Servicing and Maintenance .....	6			

## 1 Indication to the manual

This operating manual gives basic instructions which are to be observed during installation, operation and maintenance of the pump. It is therefore imperative that this manual be read by the responsible personnel and operator prior to assembly and commissioning. It is always to be kept available at the installation site.

### 1.1 Identification of safety instructions in the operating manual

Safety instructions given in this manual non-compliance with which would affect **safety** are identified by the following symbol



Safety sign according with ISO 3864 – B.3.1

or where **electrical safety** is involved, with:



Safety sign according with ISO 3864 – B.3.6

Where non-compliance with the safety instructions may cause a risk to the machine and it's function the word

**ATTENTION**

is inserted.

## 2 Description of product

### 2.1 General description of the pump

Pumps of this type are one-stage rotary pumps where the impellers are fixed on the driving shaft extension. The pump shaft and motor shaft are interconnected by means of a shaft clamp. Pump and motor form a compact and space-saving unit. These pumps are fitted out with semi-open impellers and a suction screw.

Vertically mounted pumps are equipped with a mounting flange. The pump end immerses into the tank and the motor extends vertically above the tank.

### 2.2 Intended use

The immersion pumps of the series SFL are suitable for handling contaminated coolants within the limiting application in accordance with table 1.

The SFL pumps are suitable for handling extremely inflated fluids.

#### Limit of Application (Table 1)

Type	SFL
Mediums	Coolants, cooling- and cutting-oils.
Chip material	Aluminium, steel, coloured steels max. chip to coolant ratio by weight: 1.0%
Kinetic viscosity of the medium	...45 mm <sup>2</sup> /s
Temperature of medium	0 ... 80 °C
Particle-size in the medium	12 mm SFL550 9 mm SFL650 17 mm SFL850 16 mm SFL1150
min. delivery volume	1% of Q max.
Dry running	Dry running causes increased wear and should be avoided. During the test of the direction of rotation (< 30 s) permissible.
Switching-on frequency per hour for	The pump SFL should be operated in continual operation mode, not pulsed mode.
Ambient temperature	40 °C
Set-up altitude	1000 m

**ATTENTION**

The pumps are to be operated within their design limits. Applications outside of these limits are not approved. The manufacturer is not responsible for any damages resulting from use of the pumps in such applications.

## 2.3 Technical data

Type	Max. del. pressure bar / spec. weight 1	Max. del. volume l/min	Height <sup>1)</sup> H mm	Depth of immersion <sup>1)</sup> h mm	Weight kg	Power 50 / 60 Hz kW
SFL550 / 150 / 230 / 300 / 380 / 470 / 580	0.8	390	334	150 230 300 380 470 580	23 24 25 27 28 30	0.92 / 1.06
SFL650 / 220 / 320 / 450 / 570 / 770 /1000	1.5	700	464	220 320 450 570 770 1000	51 54 57 62 73 76	2.2 / 2.55
SFL850 / 230 / 330 / 460 / 580 / 780 /1010	1.7	1000	464	230 330 460 580 780 1010	52 55 58 65 75 78	2.6 / 2.94
SFL1150 / 230 / 330 / 460 / 580 / 780 /1010	1.8	1100	503	230 330 460 580 780 1010	62 66 73 76 85 88	4.0 / 4.55

1) Dimensions in accordance with page 5

The motor is surface-cooled and compliant with DIN IEC 34 and EN 60034 (protection degree IP 55).

### 3 Safety instructions

When operating the pump, the safety instructions contained in this manual, the relevant national accident prevention regulations and any other service and safety instructions issued by the plant operator are to be observed.

#### 3.1 Hazards in the event of non-compliance with the safety instructions

Non-compliance with the safety instructions may produce a risk to the personnel as well as to the environment and the machine and results in a loss of any right to claim damages.

For example, non-compliance may involve the following hazards:

- Failure of important functions of the machines/plant
- Failure of specified procedures of maintenance and repair
- Exposure of people to electrical, mechanical and chemical hazards
- Endangering the environment due to hazardous substances being released

#### 3.2 Unauthorized modes of operation



- Pump may not be used in potentially explosive environments!
- Pump and discharge piping are not designed to hold any weight and may not be used as a step ladder.

#### 3.3 Remaining Risk



##### **Risk of Injury!**

Risk of squeezing or crushing body parts when installing or removing the pump exists. Proper and secured lifting tools must be used.

##### **Risk of burns!**

The pump must have cooled down sufficiently prior to commencing any repair, maintenance or installation.

#### 3.4 Qualification and training of operating personnel

The personnel responsible for operation, maintenance, inspection and assembly must be adequately qualified. Scope of responsibility and supervision of the personnel must be exactly defined by the plant operator. If the staff does not have the necessary knowledge, they must be trained and instructed, which may be performed by the machine manufacturer or supplier on behalf of the plant operator. Moreover, the plant operator is to make sure that the contents of the operating manual are fully understood by the personnel.

#### 3.5 Safety instructions relevant for operation

- If hot or cold machine components involve hazards, they must be guarded against accidental contact.
- Guards for moving parts (e.g. coupling) must not be removed from the machine while in operation.
- Any leakage of hazardous (e.g. explosive, toxic, hot) fluids (e.g. from the shaft seal) must be drained away so as to prevent any risk to persons or the environment. Statutory regulations are to be complied with.
- Hazards resulting from electricity are to be prevented (see for example, the VDE Specifications and the bye-laws of the local power supply utilities).
- The pumps' stability against falling over is not ensured unless it is properly mounted onto the tank.
- The female threads on the motor MUST NOT be used to lift the entire pump and motor assembly.

#### 3.6 Safety instructions relevant for maintenance, inspection and assembly work

Any work on the machine shall only be performed when it is at a standstill, it being imperative that the procedure for shutting down the machine described in this manual be followed.

Pumps and pump units which convey hazardous media must be decontaminated.

On completion of work all safety and protective facilities must be re-installed and made operative again.

Prior to restarting the machine, the instructions listed under "Start up" are to be observed.

#### 3.7 Signs on the pump

It is imperative that signs affixed to the machine, e.g.:

- arrow indicating the direction of rotation
  - symbols indicating fluid connections
- be observed and kept legible.

#### 3.8 Unauthorized alterations and production of spare parts

Any modification may be made to the machine only after consultation with the manufacturer. Using spare parts and accessories authorized by the manufacturer is in the interest of safety. Use of other parts may exempt the manufacturer from any liability.

### 4 Transport and storage

Protect the pump against damage when transporting.

The pumps may only be transported in a horizontal position and hooks or straps must be attached on the motor and pump end.

Do not use the pump shaft for connecting any transportation aids such as hooks or straps.

Pumps must be drained prior to their storage.

Store pump in dry and protected areas and protect it against penetration of foreign bodies.

Always store pump above the freezing point!

## 5 Installation and Connection

### 5.1 Mechanical installation

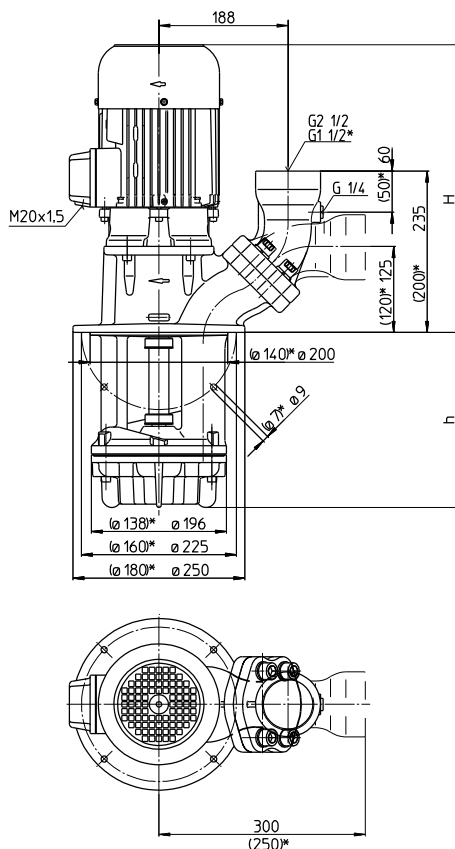
During any assembly or disassembly process the pumps must be secured against tipping through ropes for example at all times.

Pumps must be mounted securely. Piping, tank and pumps must be mounted without any tension.

The inlet is at the bottom of the immersed pump body. The distance between the inlet and the tank bottom must be so large that the inlet can not be blocked by deposits during longer shutdowns.

To obtain the full flow rate it is recommended to choose for the pipework the nominal bore diameter of the pumps cross section for connection. Therefore pipe bends should be used, not pipe angles!

The pipework must be qualified for occurring hydraulic pressure.



\*) Dimensions for SFL550

### ATTENTION

Maximum tightening torque for piping connections is 150 Nm for SFL550 and 200 Nm for SFL650...1150!

When installed the space around the pump must be large enough to provide sufficient cooling of the motor.

Do not prop up the pressure line via the joining socket.



The pump must be mounted in that way that rotating parts under the cover of the coolant tank can not be touched!

### 5.2 Electric wiring



All service work must be carried out by qualified service personnel. Pump must be disconnected from the power source and all rotating parts must stand still. Reassure that pump is disconnected from power source and cannot be switched on. Verify that there is no voltage at the terminal board!

According to the European Standard EN809 a motor overload must be installed and properly set to the full load amps stated on the pump name plate.

It is the responsibility of the machine operator to decide whether or not an additional emergency switch must be installed.

#### 5.2.1 Circuit

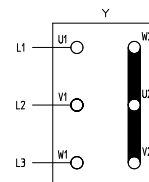


Tension voltage and frequency must correspond with the shown specification on the nameplate.

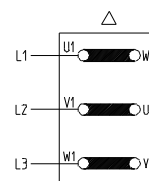
The pump must be wired so that a solid longterm electrical connection is ensured. Establish a solid ground connection.

The electrical wiring must be performed according to the wiring diagram shown inside the terminal box cover. (Please see above sample wiring diagrams)

Wiring diagram e.g.



**Star connection**  
3 x 400 V, 50 Hz  
resp. 380-415 V, 50 Hz



**Delta connection**  
3 x 230 V, 50 Hz  
resp. 220-240 V, 50 Hz

There may be no foreign objects such as dirt, particles or humidity inside the terminal board.

Mount terminal board cover to motor tight against dust and humidity and close up all unused wiring ports.

### ATTENTION

When Variable Frequency Drives are used interfering signals might occur.

Non-sinus shaped supply voltage from a variable frequency drive might result in elevated motor temperatures.

## 6 Start up / Shut down

### 6.1 Start up

#### ATTENTION

Switch off at the mains.

After connection the electrical wires, close the terminal box. Briefly start the motor (max. 30 sec.) and check the rotation according to the arrow on the top of the motor.

If the direction is incorrect change over two of the power leads.

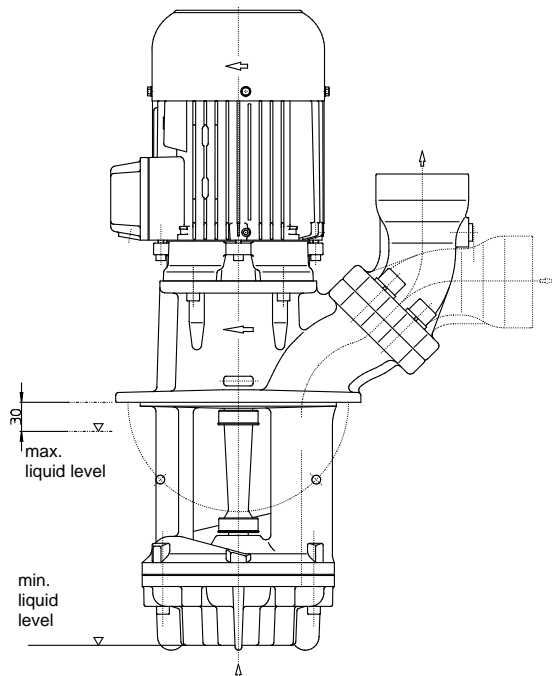
### 6.2 Shut down

All service work must be carried out by qualified service personnel. Pump must be disconnected from the power source and all rotating parts must stand still. Reassure that pump is disconnected from power source and cannot be switched on. Verify that there is no voltage at the terminal board! Open terminal box and disconnect the power leads. Empty out the pump.

## 7 Operation

### Liquid level

According to the drawing shown below, the maximum liquid level must stay about 30 mm below the mounting flange, also ensure that the suction hole of the pump body must be covered with liquid before starting up the motor.



#### ATTENTION

The SFL pump should be operated in continual operation mode, not pulsed mode!

Pulsed mode causes increased wear due to the return flow of chips and additional load on the bearings

The pump should transport medium without chips for 1-2 minutes before being switched off!



If the pump should lock up and cease, shut pump down (see 6.2) and disconnect from power supply. Pump must be uninstalled and removed from the system prior to its repair.

## 8 Servicing and Maintenance

#### ATTENTION

The surface of the motor must be kept free of dirt.

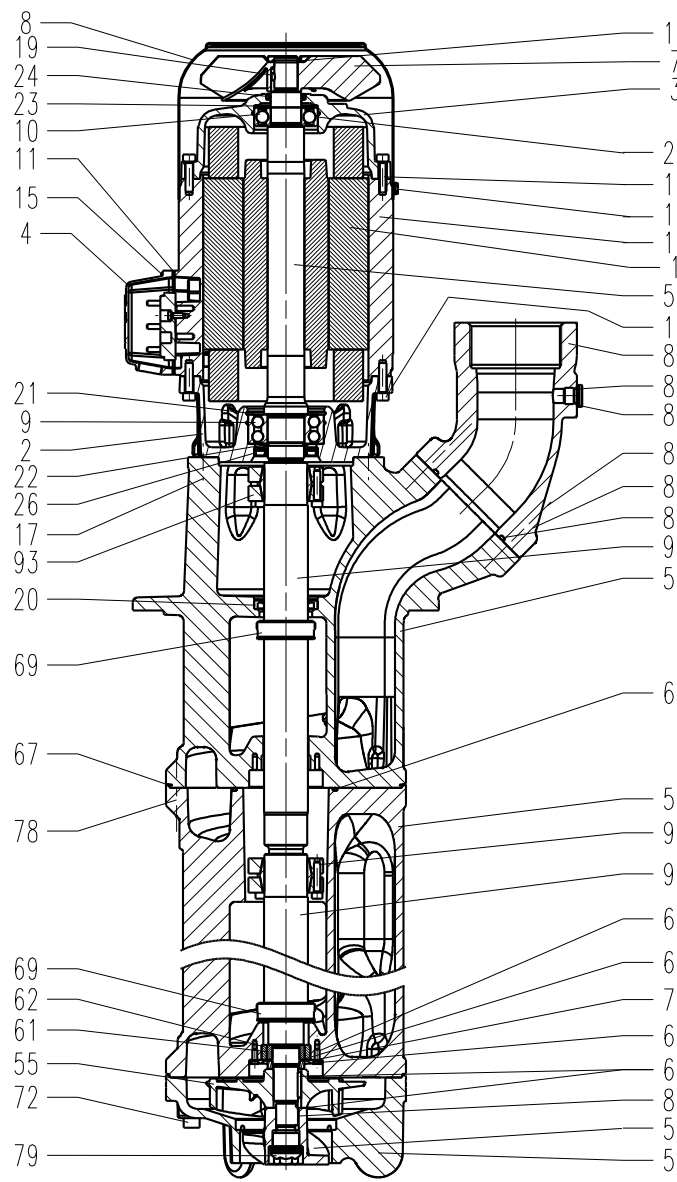
The motor shaft is spinning in permanently greased ball bearings (with special grease and increased bearing play) and does not require any special maintenance.

## 9 Trouble shooter's guide

Fault	Cause	Remedy
Motor does not start, no motor noise	At least two of the power supply leads have failed	Check fuses, terminals and supply leads .
	Overload has tripped	Inspect overload
Motor does not start, humming noise	One of the supply leads has failed	See above
	Impeller faulty Motor bearing faulty	Replace impeller Replace bearing
Overload trips	Pump locked up mechanically	Inspect pump hydraulics
	High on/of cycling frequency	Check application
Power consumption is too high	Wrong direction of rotation of impeller	See above
	Lime or other deposits mechanical friction	Clean pump mechanism repair pump
Motor overheats	High on/off cycling frequency	See above
	Wrong power supply (voltage or cycles)	Power supply must correspond with name plate rating
Pump does not pump	Insufficient cooling	Check air flow at motor fan
	liquid level too low Pump mechanism faulty Pipe blocked	Fill up liquid replace pump mechanism Clean pipe
Insufficient flow and pressure	Wrong direction of rotation of impeller	Change over two power supply leads
	Pump mechanism silted up Worn pump mechanism	Clean pump mechanism Replace pump mechanism
Incorrect flow or pressure	Wrong power supply (voltage or cycles)	Power supply must correspond with name plate rating
Running noise/Vibration	Foreign objects in pump end	Remove foreign objects
	Impeller damaged	Replace impeller
	Bearing/Bushing broken	Replace bearing/bushing

## 10 Spare part

### 10.1 Spare part list for the immersion pumps of the series SFL550...1150



Item	Description	
1	Stator with terminal board	
2	Motor flange	
3	End shield	
4	Terminal box	
7	Fan	
8	Fan cover	
9	Ball bearing 2.2...2.6 kW	DIN 628
9	Ball bearing	DIN 625
10	Ball bearing	DIN 625
11	Gasket	
13	Retaining ring 2.2...2.6 kW	DIN 471
13	Retaining ring	
14	Thread rolling screw	DIN 7500
15	Slotted cheese head screw	DIN 84
16	Socket head cap screw	DIN 912
17	Socket head cap screw	DIN 912
18	Stud bolt with bond up to 0.92 kW	
19	Parallel pin	DIN 7
20	Shaft seal	
21	Retaining ring	DIN 472
22	Retaining ring	DIN 471
23	Compensation disk up 2.2 kW	
24	Shaft seal up 2.2 kW	
25	O-ring up 2.2 kW	
26	Shaft seal	
50	Pump body	
51	Shaft with rotor	
52	Intake cover	
55	Impeller	
57	Suction screw	
58	Extension pump body up 770 mm depth of immersion	
60	Distance liner	
61	Running sleeve	
62	Bearing bush	
63	Distance plate	
64	Woodruff key	DIN 6888
65	Flat head screw	DIN 7991
66	O-ring up 770 mm depth of immersion	
67	O-ring up 770 mm depth of immersion	
69	Splash ring	
70	Serrated lock washer	
72	Socket head cap screw	DIN 912
78	Socket head cap screw up 770 mm depth of immersion	DIN 912
79	Hexagon thin nut	
82	Joining socket	
83	Socket head cap screw	DIN 912
84	Spring washer	DIN 7980
85	O-ring	
86	Screw plug	DIN 908
87	Sealing ring	DIN 7603
88	Woodruff key	
91	Extension shaft up 770 mm depth of immersion	
92	Insert shaft	
93	Shaft clamp 2 x up 770 mm depth of immersion	



## 10.2 Indications to the spare part order

Spare parts are available from the supplier. Standard commercially available parts are to be purchased in accordance with the model type. The ordering of spare parts should contain the following details:

### 1. Pumptype

e.g. SFL850 / 330

### 2. Pump No.

e.g. 0120232870

The date of the construction year is a component of the pumps type number.

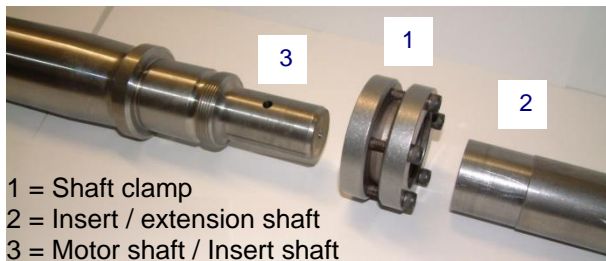
### 3. Voltage, Frequency and Power

Take item 1, 2 and 3 from the nameplate

### 4. Spare part with item No.

e.g. Intake cover item No. 52

## 11 Repair Instructions / Replacing shaft clamps and shafts



### 11.1 Dismantling the insert shaft or extension shaft

- Disconnect the submersible pump from the mains both electrically and mechanically.
- Remove pump from system. Secure pump against tipping over, i.e. use ropes to secure pump.
- Set the pump down on the fan cover. Dismantle the pump unit and the extension pump body (if appropriate).



Wear safety gloves!

Risk of injury due to sharp edges on pump components, i.e. impeller blades.

- Loosen the screws on the shaft clamp (1) one after the other.



Do not, under any circumstances, remove the screws completely, **danger of injury!**

- Remove the extension shaft (2) and shaft clamp (1).
- Dismantle the pump body.
- Loosen the screws on the shaft clamp (1) (see above), pull the insert shaft (2) off the motor shaft (3).

## 11.2 Assembling the insert shaft and motor shaft

### ATTENTION

Clean the contact surfaces of the insert shaft (2) (inside) and the motor shaft (3). They must not be lubricated or oiled.

- Set the motor down on the fan cover.
- Position the shaft clamp (1) (use a new shaft clamp) in the centre of the cranked clamping diameter (2) of the insert shaft.
- Insert the motor shaft (3) into the insert shaft (2).
- **Tighten:**  
Mark the first screw and tighten all the screws evenly by hand, one after the other in a clockwise direction (not cross-ways).
- Tighten the shaft clamp (Ø 24 mm ) for SFL550  
Use a torque screwdriver to tighten each screw first with 1.3 Nm then with 2.6 Nm and finally with 4 Nm (in a clockwise direction again). Repeat the last turn (with 4 Nm) 3 times.
- Tighten the shaft clamp (Ø 35 mm ) for SFL650...1150  
Use a torque screwdriver to tighten each screw first with 2 Nm then with 3,5 Nm and finally with 5 Nm (in a clockwise direction again). Repeat the last turn (with 5 Nm) 3 times.
- Mount the pump body.

The remainder of the reassembly process is to be completed in the opposite order of the prior described dismantling process.

### ATTENTION

Note torques for the screw connections!

When putting the pump back into use, **make sure the direction of rotation is correct!**

### Tightening torques for screwed connections

Thread - Ø	M5	M5	M6	M8	M12	M16	M16
Strength classes	4.8	8.8	8.8	8.8	8.8	8.8	
Tightening torque (Nm)	3 Nm	4,5 Nm Item 72 SFL 550	4.5 Nm	20 Nm	30 Nm Item 83 SFL550	60 Nm Item 83	60 Nm Item 79

## 12 Disposal

When disposing of the pump or the packaging materials the local and national regulation for proper disposal must be complied with.

Prior to its disposal, the pump must be completely drained and decontaminated if necessary.

## 13 Declarations of conformity

### 13.1 UK declaration of conformity



## UK declaration of conformity

Manufacturer

**Brinkmann Pumpen, K. H. Brinkmann GmbH & Co. KG**  
Friedrichstraße 2  
D-58791 Werdohl  
Germany

This declaration of conformity is issued under the sole responsibility of Brinkmann Pumps and belongs to the following product.

Product name

**Immersion pumps**

Type **SFL550...1150**

The named product described above complies with the following statutory requirements of United Kingdom:

**UK SI 2008 No. 1597      The Supply of Machinery (Safety) Regulations 2008**

**UK SI 2016 No. 1091      The Electromagnetic Compatibility Regulations 2016**

**UK SI 2020 No. 1647      The Restriction of the Use of Certain Hazardous Substances in Electrical and Electronic Equipment Regulations 2020**

**The following exceptions in accordance with table 1, "Table of exempted applications" are claimed: No.12 (6a), No.15 (6b), No. 18 (6c)**

The following designated standards and technical specification have been applied:

**EN 809:1998+A1:2009+AC:2010**

**EN ISO 12100:2010**

**EN 60204-1:2018**

**EN IEC 61000-3-2 :2019**

**EN 61000-3-3 :2013+A1 :2019**

**EN IEC 61000-6-2 :2019**

**EN IEC 61000-6-3 :2021**

**EN IEC 63000 :2018**

Additionally the following standard has been applied:

**EN 60034-1 :2010/AC :2010**

**The instructions contained in the operating manual for installation and start up the pump have to be followed.**

**Brinkmann Pumpen, K. H. Brinkmann GmbH & Co.  
KG**

Werdohl, 16.01.2023

.....  
Dr.-Ing. Dirk Wenderott  
Chief Product Officer (CPO)  
Head of Engineering

Dr. H. Abou Dayé  
K. H. Brinkmann GmbH & Co. KG  
Friedrichstraße 2, D-58791 Werdohl  
Representative of documentation

## 13.2 EC declaration of conformity

DEUTSCH / ENGLISH / FRANÇAIS / ESPAÑOL



### EG-Konformitätserklärung

#### EC declaration of conformity / Déclaration de conformité CE / Declaración de conformidad CE

Hersteller / Manufacturer / Constructeur / Fabricante

**Brinkmann Pumpen, K. H. Brinkmann GmbH & Co. KG**  
**Friedrichstraße 2, D-58791 Werdohl**

Produktbezeichnung / Product name / Désignation du produit / Designación del producto

**Tauchpumpen / Immersion pumps / Pompes plongeantes / Bombas de inmersión**

**Typ / Type / Tipo SFL550...1150**

Das bezeichnete Produkt stimmt mit den folgenden Richtlinien des Rates zur Angleichung der Rechtsvorschriften der EG-Mitgliedsstaaten überein:

The named product conforms to the following Council Directives on approximation of laws of the EEC Member States:

Le produit sus-mentionné est conforme aux Directives du Conseil concernant le rapprochement des législations des Etats membres CEE:

El producto designado cumple con las Directivas del Consejo relativas a la aproximación de las legislaciones de los Estados Miembros de la CEE:

**2006/42/EG** Richtlinie für Maschinen  
**2006/42/EC** Council Directive for machinery  
**2006/42/CE** Directive du Conseil pour les machines  
**2006/42/CE** Directivas del Consejo para máquinas

**2014/30/EU** Richtlinie für elektromagnetische Verträglichkeit  
**2014/30/EU** Council Directive for Electromagnetic compatibility  
**2014/30/UE** Directive du Conseil pour Compatibilité électromagnétique  
**2014/30/UE** Directivas del Consejo para Compatibilidad electromagnética

**2011/65/EU und 2015/863/EU** RoHS Richtlinien  
**2011/65/EU and 2015/863/EU** RoHS Directives  
**2011/65/UE et 2015/863/UE** Directives RoHS  
**2011/65/UE y 2015/863/UE** RoHS Directivas

Folgende Ausnahmen gem. Anhang III RoHS (2011/65/EU) werden in Anspruch genommen: 6a, 6b, 6c.

The following exceptions in accordance with appendix III RoHS (2011/65/ EU) are claimed: 6a, 6b, 6c.

Les exceptions suivantes selon l'annexe III RoHS (2011 / 65 / UE) sont revendiquées : 6a, 6b, 6c.

Las siguientes excepciones conforme al apéndice III RoHS (2011/65 / UE) son requeridas: 6a, 6b, 6c.

Hinsichtlich der elektrischen Gefahren wurden gemäß Anhang I Nr. 1.5.1 der Maschinenrichtlinie 2006/42/EG die Schutzziele der Niederspannungsrichtlinie 2014/35/EU eingehalten.

With respect to potential electrical hazards as stated in appendix I No. 1.5.1 of the machine guide lines 2006/42/EC all safety protection goals are met according to the low voltage guide lines 2014/35/EU.

Conformément à l'annexe I N° 1.5.1 de la Directive "Machines" (2006/42/CE) les objectifs de sécurité relatifs au matériel électrique de la Directive "Basse Tension" 2014/35/UE ont été respectés.

Con respecto al potencial peligro eléctrico como se indica en el apéndice I No. 1.5.1 del manual de la máquina 2006/42/CE, todos los medios de protección de seguridad se encuentran según la guía de bajo voltaje 2014/35/UE.

Die Übereinstimmung mit den Vorschriften dieser Richtlinien wird nachgewiesen durch die vollständige Einhaltung folgender Normen:

Conformity with the requirements of this Directives is testified by complete adherence to the following standards:

La conformité aux prescriptions de ces Directives est démontrée par la conformité intégrale avec les normes suivantes:

La conformidad con las prescripciones de estas directivas queda justificada por haber cumplido totalmente las siguientes normas:

Harmonisierte Europ. Normen / Harmonised Europ. Standards / Normes europ. harmonisées / Normas europ. Armonizadas

**EN 809 :1998+A1 :2009+AC :2010**      **EN ISO 12100 :2010**      **EN 60204-1 :2018**      **EN IEC 61000-3-2 :2019**  
**EN 61000-3-3 :2013+A1 :2019**      **EN IEC 61000-6-2 :2019**      **EN IEC 61000-6-3 :2021**      **EN IEC 63000 :2018**

Nationale Normen / National Standards / Normes nationales / Normas nacionales : **EN 60034-1 :2010/AC :2010**

**Die Hinweise in der Betriebsanleitung für den Einbau und die Inbetriebnahme der Pumpe sind zu beachten.**

**The instructions contained in the operating manual for installation and start up the pump have to be followed.**

**Les indications d'installation / montage et de mise en service de la pompe prévues dans l'instruction d'emploi doivent être suivies.**

**Tenga en cuenta las instrucciones en el manual para la instalación y puesta en marcha de la bomba.**

**Brinkmann Pumpen, K. H. Brinkmann GmbH & Co. KG**

Werdohl, 16.01.2023

Dr.-Ing. Dirk Wenderott  
Chief Product Officer (CPO)  
Head of Engineering

Dr. H. Abou Dayé

K. H. Brinkmann GmbH & Co. KG  
Friedrichstraße 2, D-58791 Werdohl

Dokumentationsbevollmächtigter / Representative of  
documentation/ Mandataire de documentation /  
Mandatario de documentación